

# Specifications



## PF1119 TWO-HANDLE WALL MOUNT SERVICE SINK FAUCET

### Product Features

- Vacuum breaker - backflow prevention
- Ceramic disc cartridges
- Integral stops
- 3/4" hose thread on spout
- Meets ASME A112.18.1
- cUPC/IAPMO listed
- Solid brass waterways
- Chrome plated

### Optional Accessories

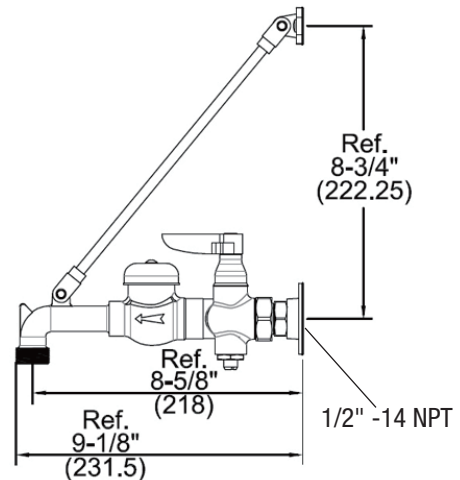
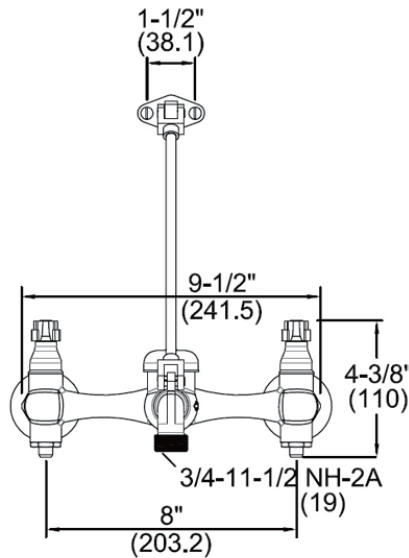
- Works with Speakman SEF-9200 Eyewash hose attachment



PF1119

### Product Specifications

Flow Rates	
Pressure (PSI)	GPM
20	5
30	6
40	7
50	8
60	9
70	10
80	10.5



\* All measurements are nominal. Please verify before actual installation.

### Warranty and Codes

This product comes complete with installation, operating, care and maintenance instructions. This PROFLO faucet carries a limited lifetime warranty when installed in residential applications. The warranty is five years in commercial applications. This product meets ASME: A112.18.1-2018. *Compliant with lead content requirements of US Senate Bill S.3874*

©2021 Ferguson Enterprises, LLC. FG 11/2021-C



[FERGUSON.COM/PROFLO](http://FERGUSON.COM/PROFLO)