

# HARTFIELD

## SINGLE HOLE BAR FAUCET

SKU: 948523



### FEATURES

Installation Type: Single-Hole  
Faucet Holes: 1  
Material: Brass  
Faucet Centers: Single-Hole  
Handle Type: Lever  
Features: ADA Compliant  
Design: Traditional  
Faucet Material: Brass  
Swivel Spout: Yes  
Ceramic Disc Cartridges: Yes  
Hot and Cold Indicators: No  
Maximum Flow Rate: 1.75 gpm (6.6 L/min)  
@ 60 psi  
Braided Nylon Supplies  
Diverts from Spray to Stream

### CONTENTS

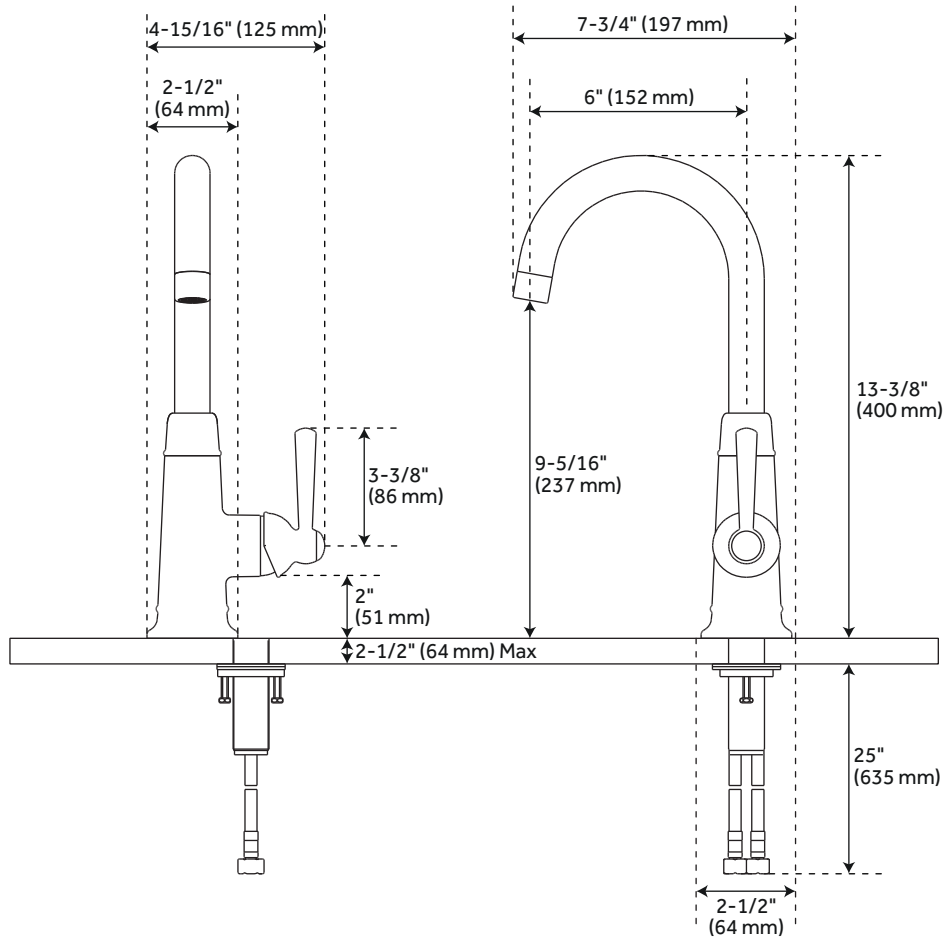
SINGLE-HOLE FAUCET ..... PAGE 2

REVISED 08/28/2020

# HARTFIELD

## SINGLE HOLE BAR FAUCET

SKU: 948523



### FEATURES

- Max. Countertop Thickness: 2-1/2"
- Length: 4-15/16"
- Width: 7-3/4"
- Height: 13-3/8"
- Height To Spout: 9-5/16"
- Spout Reach: 6"
- Base Plate Diameter: 2-1/2"
- Handle Length: 3-3/8"
- Height to Bottom of Handle: 2"

### CODES/STANDARDS

- cUPC
- ASME A112.18.1/CSA B125.1
- ADA Compliant (when installed according to ADA standards)
- NSF/ANSI 61
- NSF/ANSI 372
- CEC Listed
- CALGreen
- Massachusetts Accepted

### PRODUCT IMAGE



All dimensions and specifications are nominal and may vary. Use actual products for accuracy in critical situations.

PAGE 2  
Code: SHXCHA103