

Features

- KOHLER cast iron
- Wall-mount
- Without overflow
- Installation hardware included
- 27" (686 mm) x 19" (483 mm) x 4-1/4" (108 mm)

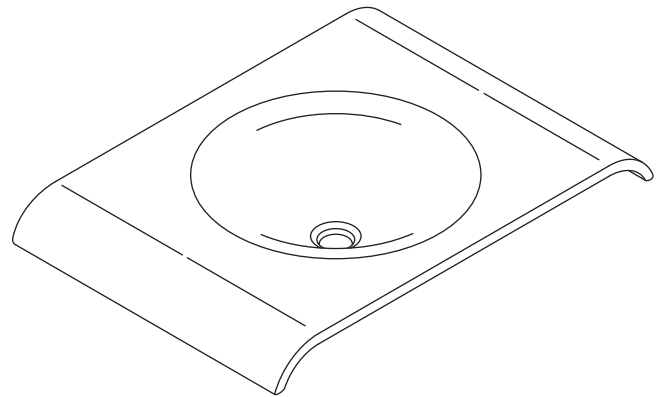
WALL-MOUNT BATHROOM SINK K-14293

ADA

Codes/Standards Applicable

Specified model meets or exceeds the following:

- ADA
- ASME A112.19.1/CSA B45.2
- ICC/ANSI A117.1



Colors/Finishes

- 0: White
- Other: Refer to Price Book for additional colors/finishes

Accessories:

- CP: Polished Chrome
- Other: Refer to Price Book for additional colors/finishes

Specified Model

Model	Description	Colors/Finishes	
K-14293	Wall-mount bathroom sink	<input type="checkbox"/> 0	<input type="checkbox"/> Other_____
Recommended Accessories			
K-7702	Pop-up drain with under-mount actuator	<input type="checkbox"/> CP	<input type="checkbox"/> Other_____
K-9018	P-Trap	<input type="checkbox"/> CP	<input type="checkbox"/> Other_____

Product Specification:

The wall-mount bathroom sink shall be made of cast iron. Bathroom sink shall be without overflow. Bathroom sink shall be 27" (686 mm) in length x 19" (483 mm) in width x 4-1/4" (108 mm) in height. Bathroom sink shall be Kohler Model K-14293-_____.

TABLEAU™

Technical Information

Bathroom sink is ADA compliant. ADA	
Fixture*:	
Basin area	Ø 14" (356 mm)
Water depth	4" (102 mm)
Drain hole	Ø 1-3/4" (44 mm)
* Approximate measurements for comparison only.	
Included components:	
Installation hardware	1036457
Touch-up kit	500306-7

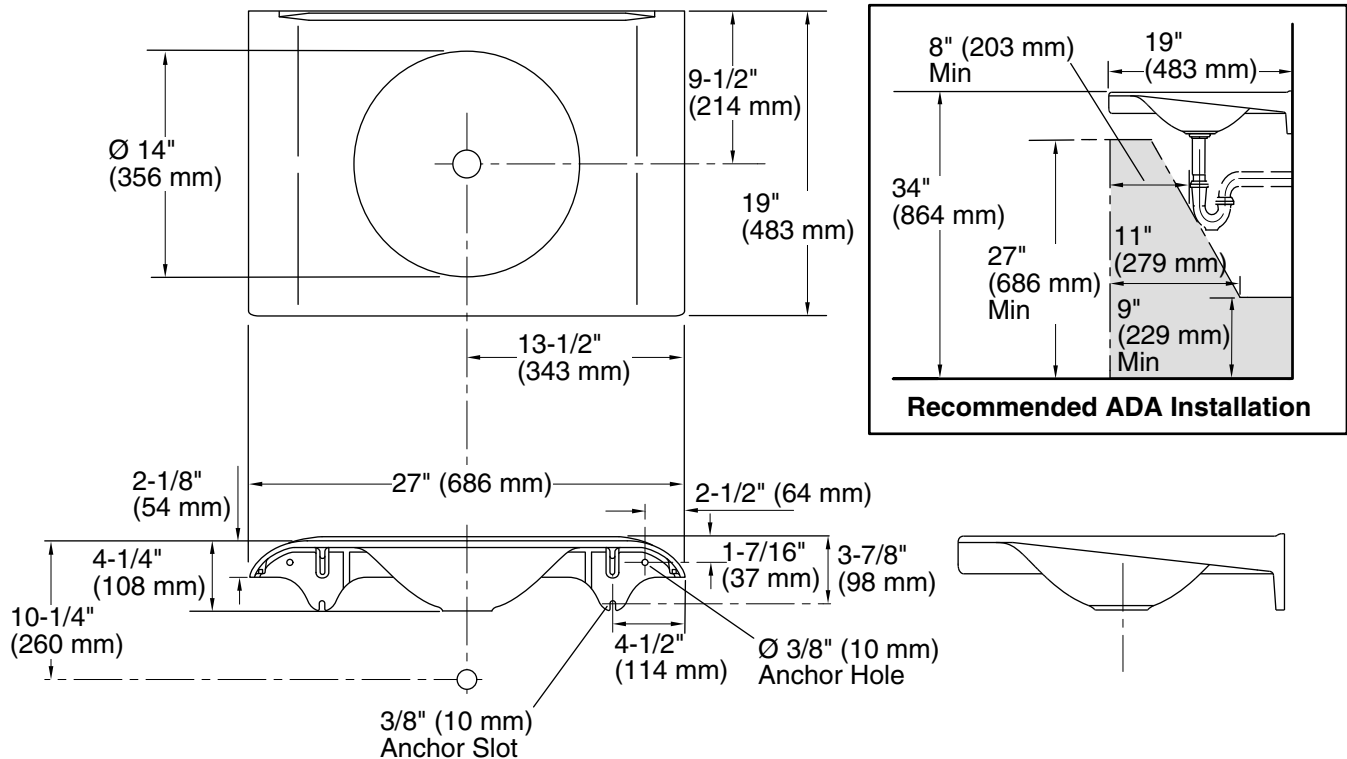
Installation Notes

Install this product according to the installation guide.

Product does not have an overflow.

Spout must be 4" (102 mm) long (minimum) for adequate clearance into lavatory when installed with centerline as shown.

Will comply with **ADA** when installed per section 606 Lavatories of the Act.



Product Diagram