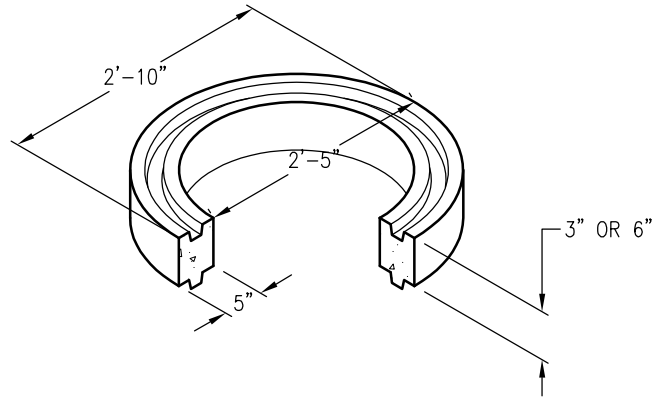
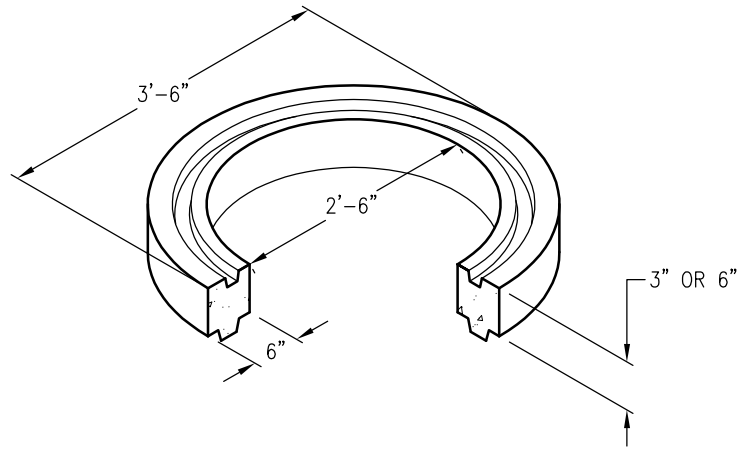


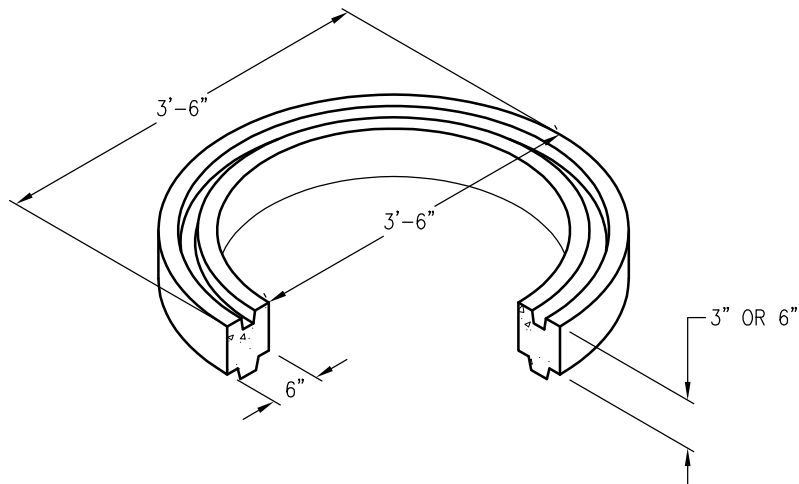
24"Ø GRADE RING
 2403 GRADE RING WEIGHT: 120 LBS
 2406 GRADE RING WEIGHT: 240 LBS



30"Ø GRADE RING
 3003 GRADE RING WEIGHT: 180 LBS
 3006 GRADE RING WEIGHT: 360 LBS



36"Ø GRADE RING
 3603 GRADE RING WEIGHT: 210 LBS
 3606 GRADE RING WEIGHT: 420 LBS



DRAWING MAY NOT CONFORM TO THE MOST CURRENT SPECIFICATION



Oldcastle Precast[®]
 Northern California
 Madera ■ Morgan Hill ■ Pleasanton ■ Santa Rosa ■ Stockton ■ Tulare
 Phone: 925-750-6650 Fax: 925-750-6660

GRADE RINGS
FILE NAME: MH-43.DWG
REVISED: MARCH 2016
www.oldcastleprecast.com

24"Ø, 30"Ø & 36"Ø (I.D.)
 GRADE RINGS
 MANHOLES