

Ayrlett®

ICE MAKER BOX with 1/4 TURN STOP VALVE



Made in the USA!

Model: USA-No Lead

FDA/NSF Approved Materials:

- Acetal Valve and Water Hammer Arrester
- Buna N O-rings
- FDA approved silicone lubrication

Listings:

- NSF 61
- QAI – Complies with Universal Plumbing Code
- Box is UPC compliant and listed by SGS
- Arrestors are listed by UPC
- Meets all low lead requirements
- ASSE 1010
- ASME A112.18.1

Options:

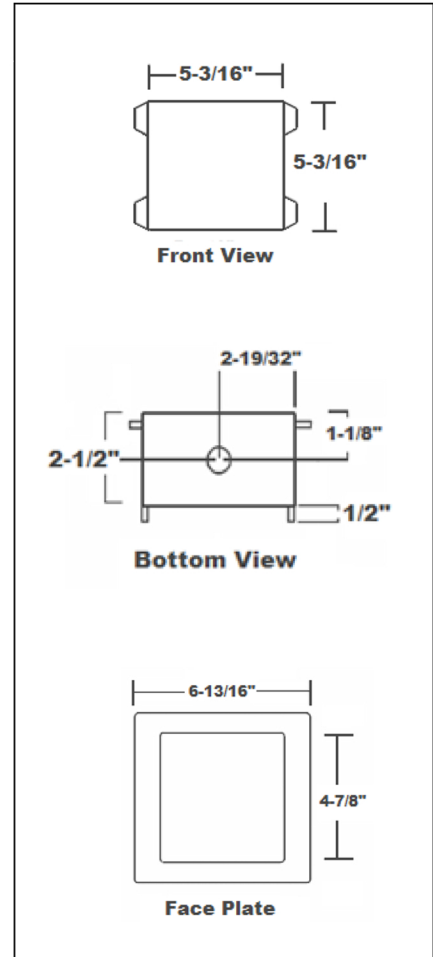
- Available with or without water hammer arresters.

Connection Type:

- Threaded MIP
- CPVC
- Genuine UPONOR® Wirsbo™ Connection
- Genuine VIEGA® PEX™ Connection



Patent(s) Pending



3081	Valve w CPVC conn.
3082	Valve w UPONOR conn.
3083	Valve w PEX conn.
3281	Valve w/Arrester CPVC conn.
3282	Valve w/Arrester UPONOR
3283	Valve w/Arrester PEX

Ayrlett®

www.ayrlett.com
sales@ayrlett.com

Phone: 208.442.9053
Fax: 208.465.6786

PO Box 3191
Nampa, ID 83653