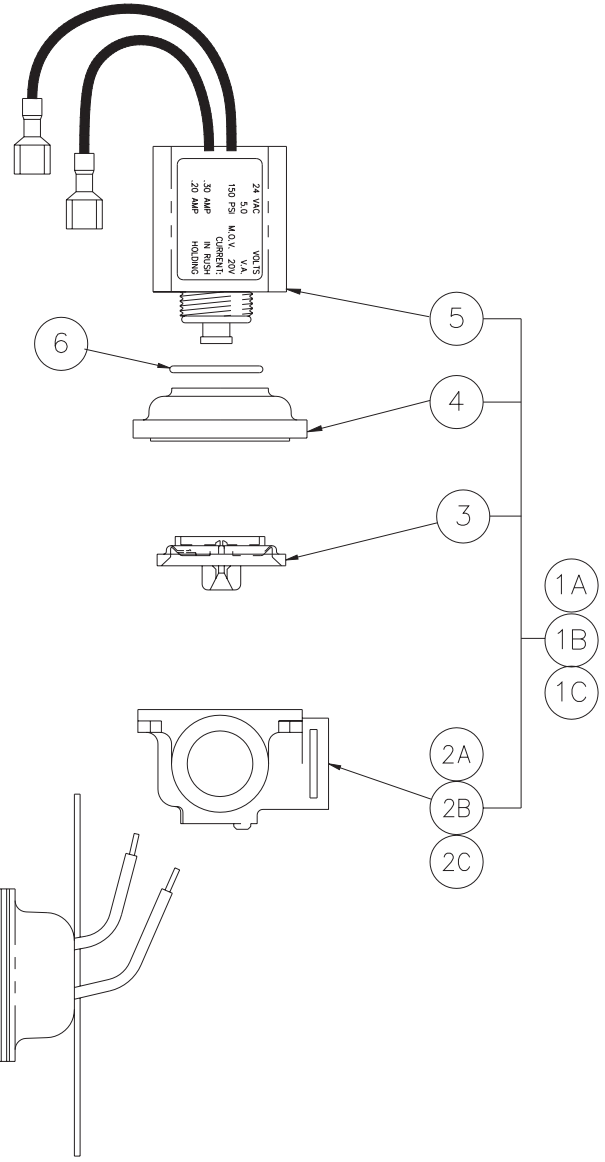


SHOWN FOR REFERENCE ONLY  
SEE 9955-025-001



1A	2570-117-001	SOLENOID ACTUATED VALVE ASSEMBLY L.H.	4	2570-061-000	SOLENOID BONNET
1B	2570-116-001	SOLENOID ACTUATED VALVE ASSEMBLY R.H.	5	2563-305-002	24 VAC SOLENOID
1C	2570-115-001	SOL. ACT. VALVE ASSEMBLY -MA LOWER	6	0401-117-000	O-RING
2A	2570-027-000	VALVE BODY LEFT HAND	7	0710-700-001	120/24VAC TRANS 4" SQ. PLATE ASSY
2B	2570-026-000	VALVE BODY RIGHT HAND	8	0713-060-000	3 AMP FUSE
2C	2570-025-000	VALVE BODY -MA LOWER LH/RH	9	0713-050-000	IN-LINE FUSEHOLDER
3	2563-010-001	WATER DIAPHRAGM ASSEMBLY	10	0710-700-000	120/24VAC TRANSFORMER
ITEM	PART NUMBER	DESCRIPTION	ITEM	PART NUMBER	DESCRIPTION



**ACORN ENGINEERING COMPANY**  
P.O. BOX 3527 INDUSTRY, CA. 91744  
(626) 336-4561 FAX (626) 961-2200

TITLE **TIME-TROL CONTROLLER VALVE ASSEMBLY -MVC**

MANUFACTURE DATE  
**APRIL 1994**  
**TO PRESENT**

DATE ISSUED  
**11/08/90**  
DATE REVISED  
**01/09/02**

DRAWING NUMBER  
**9955-020-002**