

INSTALLATION INSTRUCTIONS



Fitzgerald® Console

Model: D21410

Oak Hill™ Console

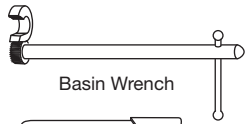
Models: D21411030-30" Console Assembly
D21411024-24" Console Assembly

Thank you for selecting DXV. To ensure this product is installed properly, please read these instructions carefully before you begin. (Certain installations may require professional help.) Also be sure your installation conforms to local codes.

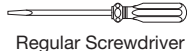
⚠ CAUTION: PRODUCT IS FRAGILE. TO AVOID BREAKAGE AND POSSIBLE INJURY HANDLE WITH CARE!
NOTE: Pictures may not exactly define contour of china and components.

RECOMMENDED TOOLS AND MATERIALS

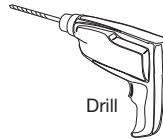
Most of the procedures require the use of common tools and materials, which are available from hardware and plumbing supply stores. It is essential that the tools and materials be on hand before work is begun.



Basin Wrench



Regular Screwdriver



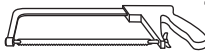
Drill



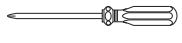
Level



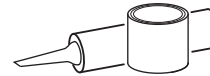
Tape Measure



Hacksaw



Phillips Screwdriver



Plumbers' Putty or
Caulking



Saber Saw



Pipe Wrench



Adjustable Wrench



Channel Lock



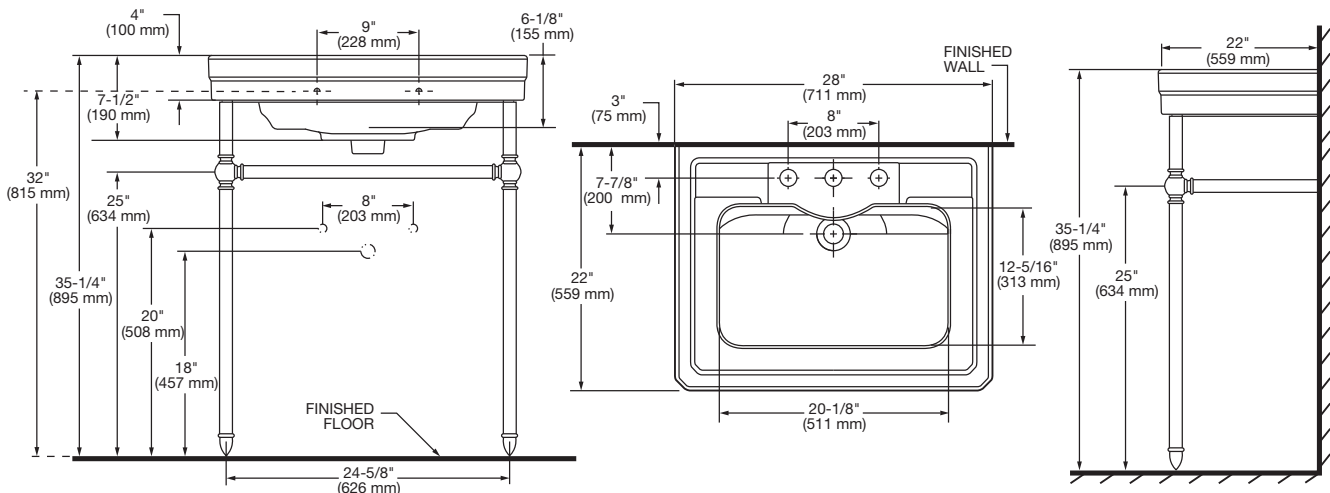
Putty Knife



Tubing Cutter

ROUGHING-IN DIMENSIONS: FITZGERALD CONSOLE with FITZGERALD LAVATORY D20015

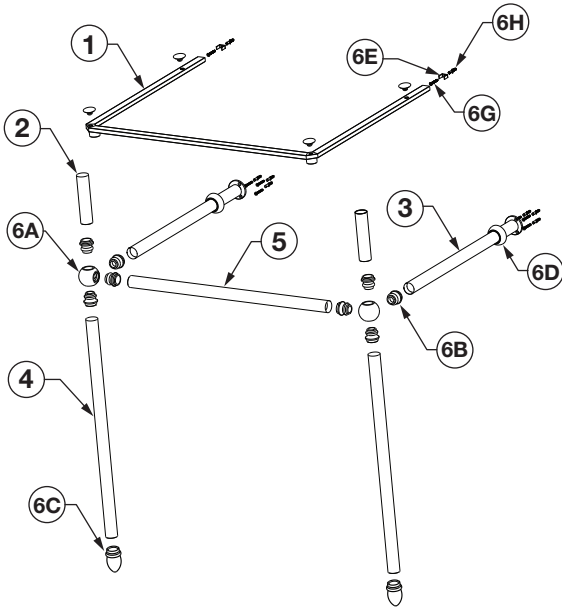
• For reference



NOTE: Locate supplies and "P" trap in open area.

SAVE FOR FUTURE USE

EXPLODED VIEW - FITZGERALD CONSOLE

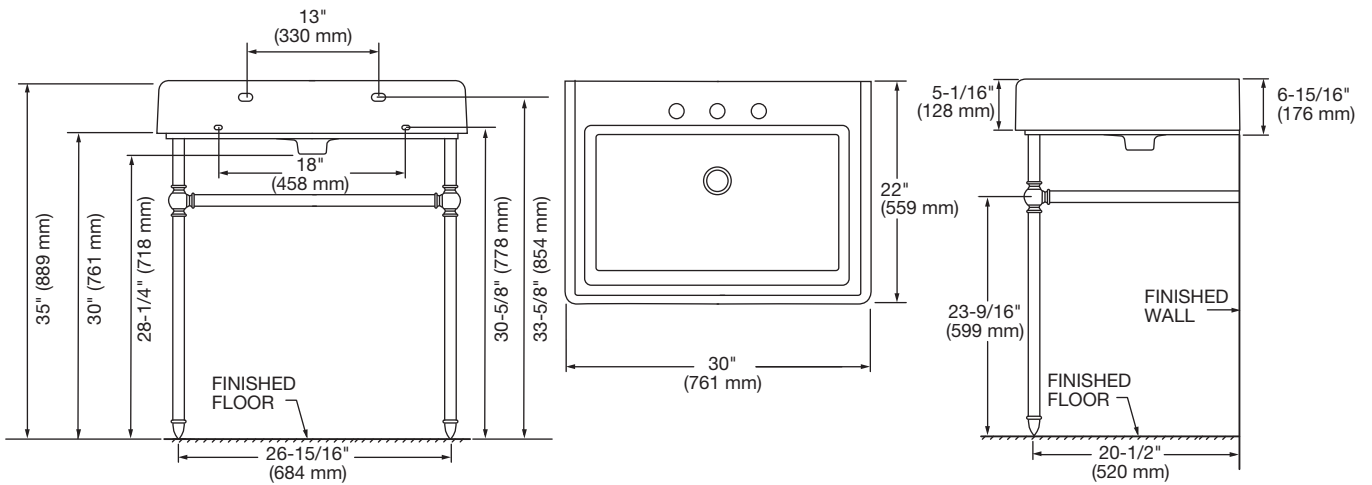


ITEM #	DESCRIPTION	PART NUMBER
1	Stabilizing Frame	
2	Vertical Support Tube	
3	Horizontal Support Tube	
4	Vertical Support Tube	
5	Horizontal Support Tube	
6A	(1) - Ball Joint	770144-201.YYY0A
6B	(1) - Ball Joint Connector	770145-201.YYY0A
6C	(1) - Foot Ferrules	770146-201.YYY0A
6	Hardware/Mounting Kit 6D (2) - Wall Escutcheons 6E (2) - Wall Bracket Attachment 6G (8) - Screws (head Ø 7.4mm x 32.8mm, phillips flat head) 6H (8) - Wall Anchors	770226-201.YYY0A

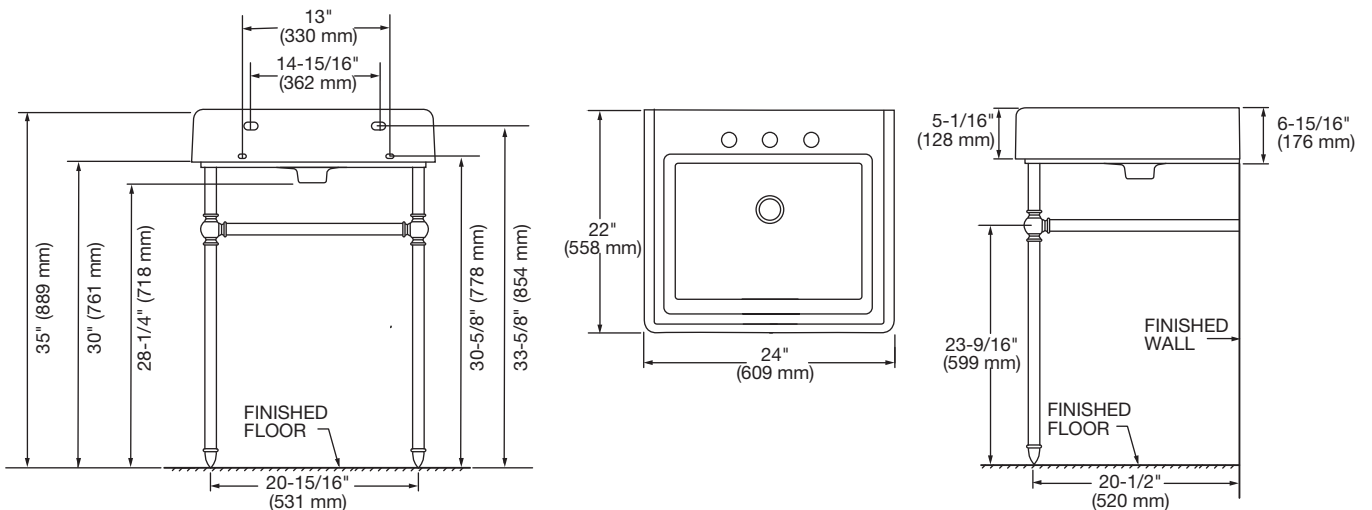
ROUGHING-IN DIMENSIONS:

• For reference

OAK HILL CONSOLE WITH 30" OAK HILL LAVATORY D20160008



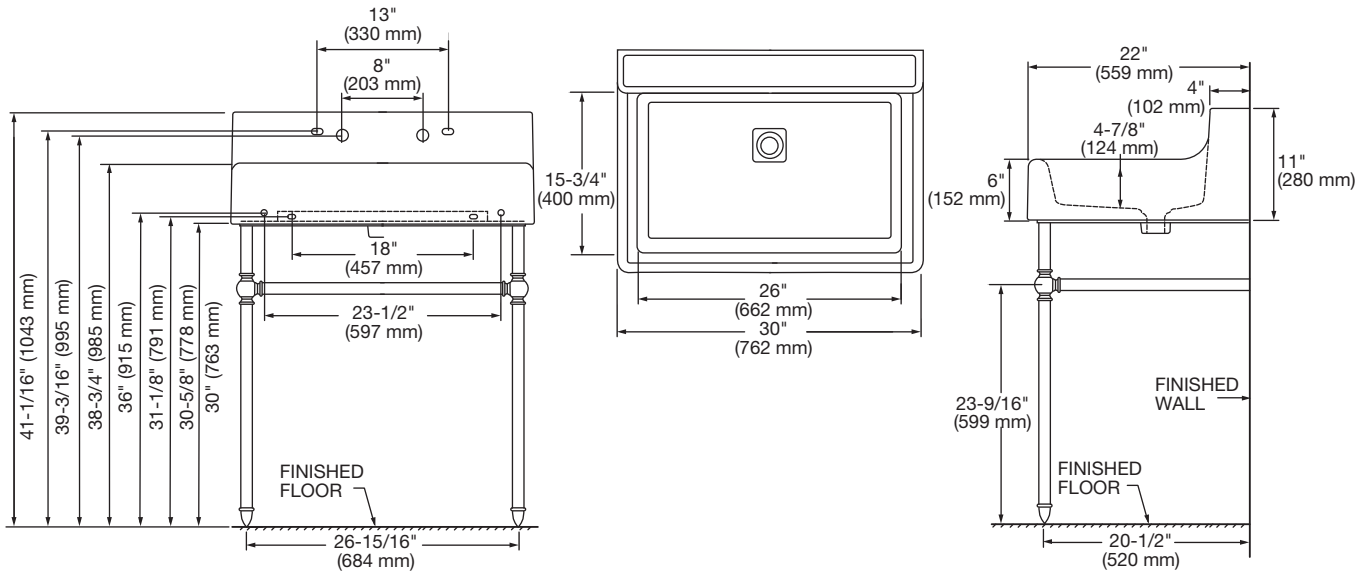
OAK HILL CONSOLE WITH 24" OAK HILL LAVATORY D201610008



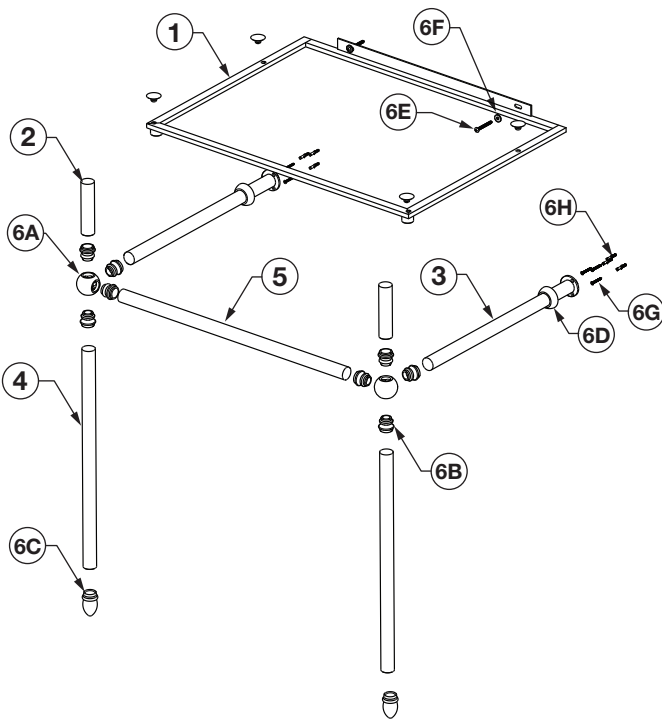
ROUGHING-IN DIMENSIONS:

- For reference

OAK HILL CONSOLE WITH 30" OAK HILL HIGH BACK LAVATORY D20155002



EXPLODED VIEW - OAK HILL CONSOLE



ITEM #	DESCRIPTION	PART NUMBER
1	Stabilizing Frame	
2	Vertical Support Tube	
3	Horizontal Support Tube	
4	Vertical Support Tube	
5	Horizontal Support Tube	
6A	(1) - Ball Joint	770144-201.YYY0A
6B	(1) - Ball Joint Connector	770145-201.YYY0A
6C	(1) - Foot Ferrules	770146-201.YYY0A
6	Hardware/Mounting Kit 6D (2) - Wall Escutcheons 6E (2) - Screws (Ø 5.5mm x 50mm) 6F (2) - Washers (OD - Ø 16mm, ID - Ø 6mm) 6G (6) - Screws (head Ø 7.4mm x 32.8mm) 6H (6) - Wall Anchors	770226-202.YYY0A

1 CONSOLE STAND INSTALLATION

Suitable reinforcement is required for anchoring the lavatory to the wall. Determine horizontal centerline location "★" of lavatory mounting holes. (see Figure 1).

Rough in supply lines and waste per rough in dimensions.

*** For Oak Hill Console:** It must have cross support for fastening the stabilizing frame.

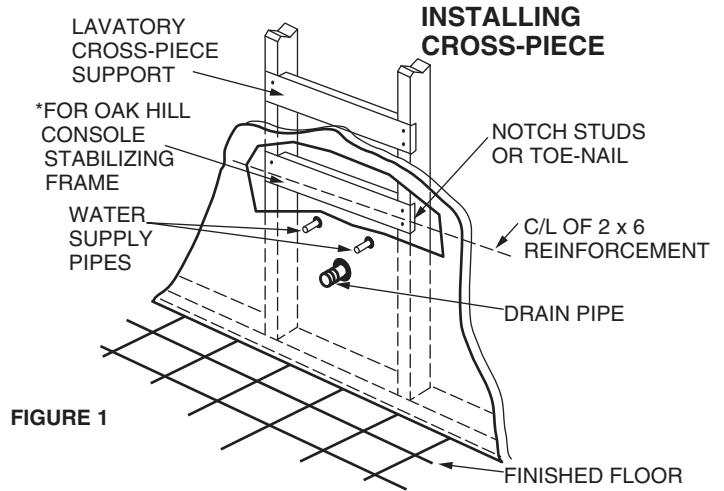


FIGURE 1

2 Refer to exploded view. Set aside items 6E through 6H. Assemble console stand using items 1 through 5 and 6A through 6D.

3 Move the metal stand into place. Attach center rails of console to wall using items 6G thru 6H. The glides can be adjusted, but it is recommended not to exceed 1/2" if possible.

4a FOR FITZGERALD CONSOLE
Level stabilizing frame item 1. Mark position of brackets (item 6E). Attach brackets to wall using items 6G & 6H.

Note: Remove & re-install stabilizing frame (item 1) if necessary.

4b FOR OAK HILL CONSOLE
Level stabilizing frame item 1. Using item 6E (screw) and 6F (washer) to fasten the frame to the wall.

Note: Remove & re-install stabilizing frame (item 1) if necessary.

5 Continue with installation for appropriate sink and faucet options chosen.

In the United States:

DXV
One Centennial Avenue
Piscataway, New Jersey 08855
Attention: Director of Customer Care

For residents of the United States, warranty information may also be obtained by calling the following toll free number: (800) 227-2734
www.DXV.com

In Canada:

DXV
5900 Avebury Road
Mississauga, Ontario
L5R 3M3
Canada

Toll Free: 1-800-387-0369
Local: 905-306-1093
Fax: 1-800-395-1498

In Mexico:

DXV
Via Morelos 330
Col. Santa Clara Coatitla
Ecatepec, Estado de México 55540

Toll Free: 01-800-8391200
www.DXV.mx