

ENERGY SAVER



MANUFACTURED HOUSING DIRECT VENT

COMPLIES WITH HUD STANDARDS FOR MANUFACTURED HOUSING INSTALLATION

GAS CONTROL CONVERTIBLE FOR NATURAL AND PROPANE GAS

- For flexibility to meet the varying needs of manufactured housing installations.

SIDE-MOUNTED 3/4" COLD WATER INLET

- For ease of installation when cold water supply originates below the structure.
- Top mounted 3/4" hot water outlet.

DIRECT VENT MODELS PACKAGE WITH BOTTOM INTAKE AIR VENT

- To draw all combustion make-up air from outside the structure.

OPTIONAL DUCTED AIR INLET KIT FOR DIRECT VENT MODELS

- For use when water heater is installed over a basement.
- Provision for horizontal air inlet ducting. See instruction manual for approved venting distance by model.

GREEN CHOICE® GAS BURNER

- Patented eco-friendly design reduces NOx emissions by up to 33% and complies with Low- NOx emission requirements of less than 40 ng/J.

COREGARD™ ANODE ROD

- Our anode rods have a stainless steel core that extends the life of the anode rod allowing superior tank protection far longer than standard anode rods.

BLUE DIAMOND® GLASS COATING

- Provides superior corrosion resistance compared to industry standard glass lining.

ENHANCED-FLOW BRASS DRAIN VALVE

- Our residential water heaters have a solid brass, tamper resistant, enhanced-flow, ball type, drain valve.
- Uses a standard female hose fitting that allows for fast and easy draining during maintenance.
- Designed for easy operation, this valve includes an integral screwdriver slot that features a 1/4 turn (open/close) radius, which not only permits full straight-through water flow but also a quick and positive shut off.

CODE COMPLIANCE

- Meets UBC, CEC and HUD National Codes.
- Meets the thermal efficiency and standby loss requirements of the U.S. Department of Energy and current edition of ASHRAE/IESNA 90.1
- Complies with the Federal Energy Conservation Standards effective April 16, 2015, in accordance with the Energy Policy and Conservation Act (EPCA), as amended.

CSA CERTIFIED AND ASME RATED T&P RELIEF VALVE

MAXIMUM HYDROSTATIC WORKING PRESSURE 150 PSI

DESIGN-CERTIFIED BY CSA INTERNATIONAL

- Certified at 300 PSI test pressure and 150 PSI working pressure.
- Listed according to ANSI Z21.10.1-CSA 4.1 standards governing storage tank-type gas water heaters.

6-YEAR LIMITED TANK AND 2-YEAR LIMITED PARTS WARRANTY

- For complete information, consult written warranty or go to hotwater.com.



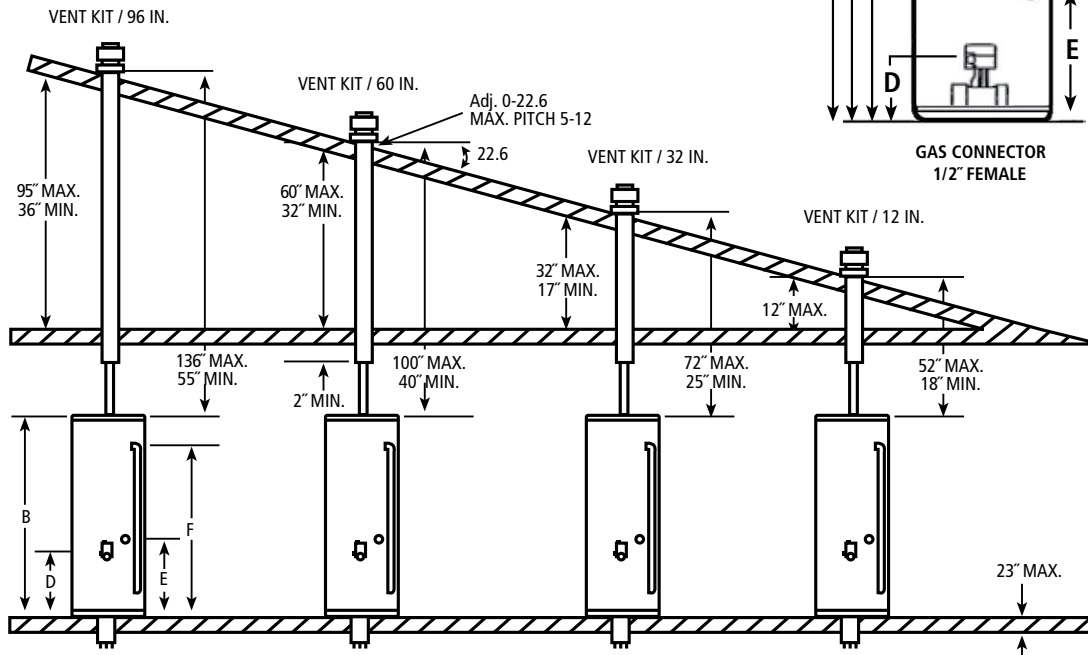
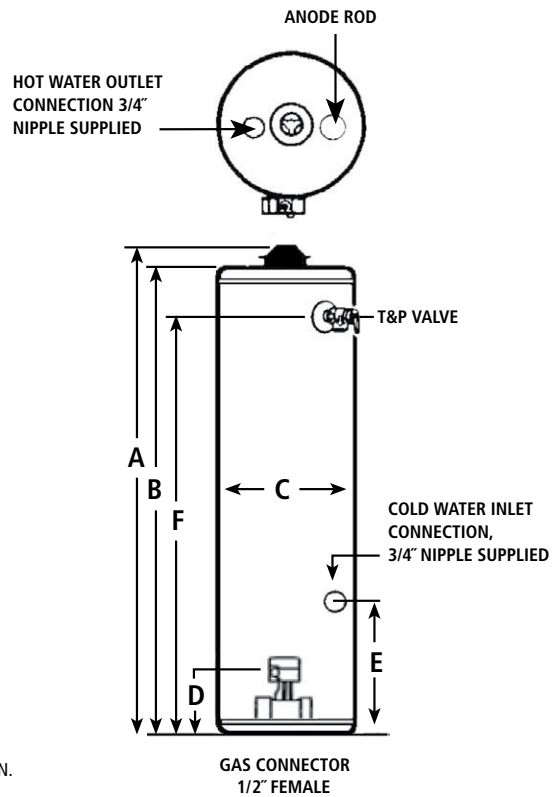
| Model Number | Gallon Capacity | First Hour Rating Gallon | Energy Factor | Btu Input Per Hour Natural Gas | Btu Input Per Hour Propane | Recovery @ 90°F Rise Gallon Per Hour | Dimensions in Inches | | | | | | Vent Outlet | Approx. Shipping Weight (lbs) | |
|--------------|-----------------|--------------------------|---------------|--------------------------------|----------------------------|--------------------------------------|----------------------|--------|--------|----|----|--------|-------------|-------------------------------|-----|
| | | | | | | | Insulation | A | B | C | D | E | | | F |
| FMDV-30 | 30 | 49 | 0.63 | 30,000 | 29,000 | 31 | 2 | 61 | 58 | 18 | 13 | 14-1/4 | 52-1/2 | 3 | 129 |
| FMDV-40 | 40 | 61 | 0.62 | 32,000 | 29,000 | 33 | 2 | 61-3/4 | 58-3/4 | 20 | 13 | 14-1/4 | 52-1/4 | 3 | 153 |
| FMDV-50 | 50 | 77 | 0.60 | 40,000 | 37,000 | 39 | 2 | 60 | 57 | 22 | 13 | 14-1/4 | 50 | 3 | 168 |

All models ship from the factory for use with natural gas, a complete propane burner is supplied for converting to propane gas. No option available for top T&P. Water connections-3/4" on all models. All models approved for installation from sea level to 5,400 ft. elevation. Dimensions and specifications subject to change without notice, in accordance with our policy of continuous product improvement.

| Kit Number | MIN. | MAX. | Approx. Shipping Weight (lbs) |
|------------|------|------|-------------------------------|
| 9002964005 | - | 12" | 10 |
| 9002965005 | 18" | 32" | 13 |
| 9002966005 | 32" | 60" | 22 |
| 9002967005 | 36" | 95" | 27 |

APPROVED ROOF JACK KITS

Direct Vent mobile home water heaters must be installed using one of these approved Roof Jack Kits, which must be ordered separately. "Min." and "Max." dimensions indicate kit adjustability for varying vent distance, as shown in drawing.



For technical information call 800-527-1953. A. O. Smith Corporation reserves the right to make product changes or improvements without prior notice.