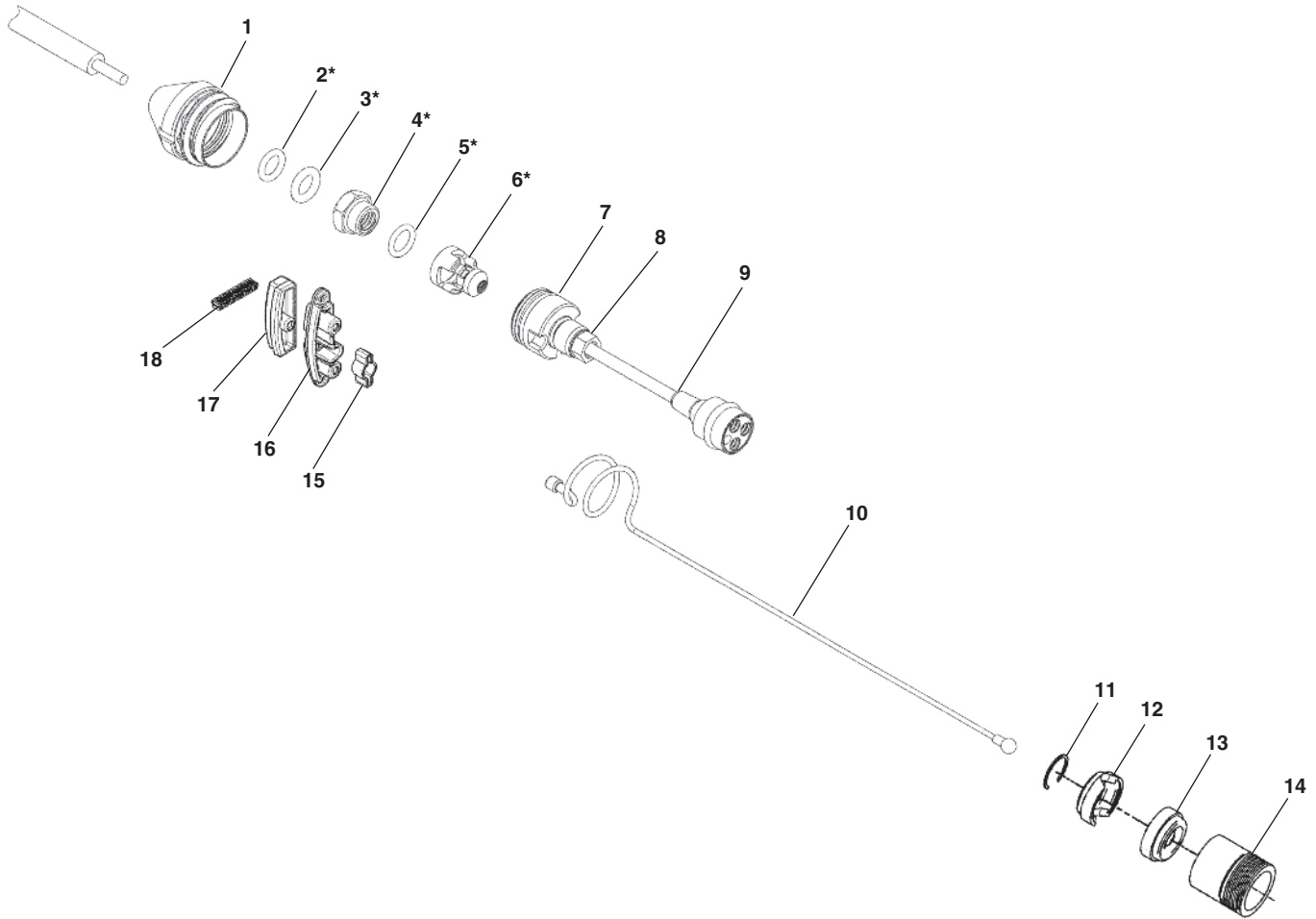


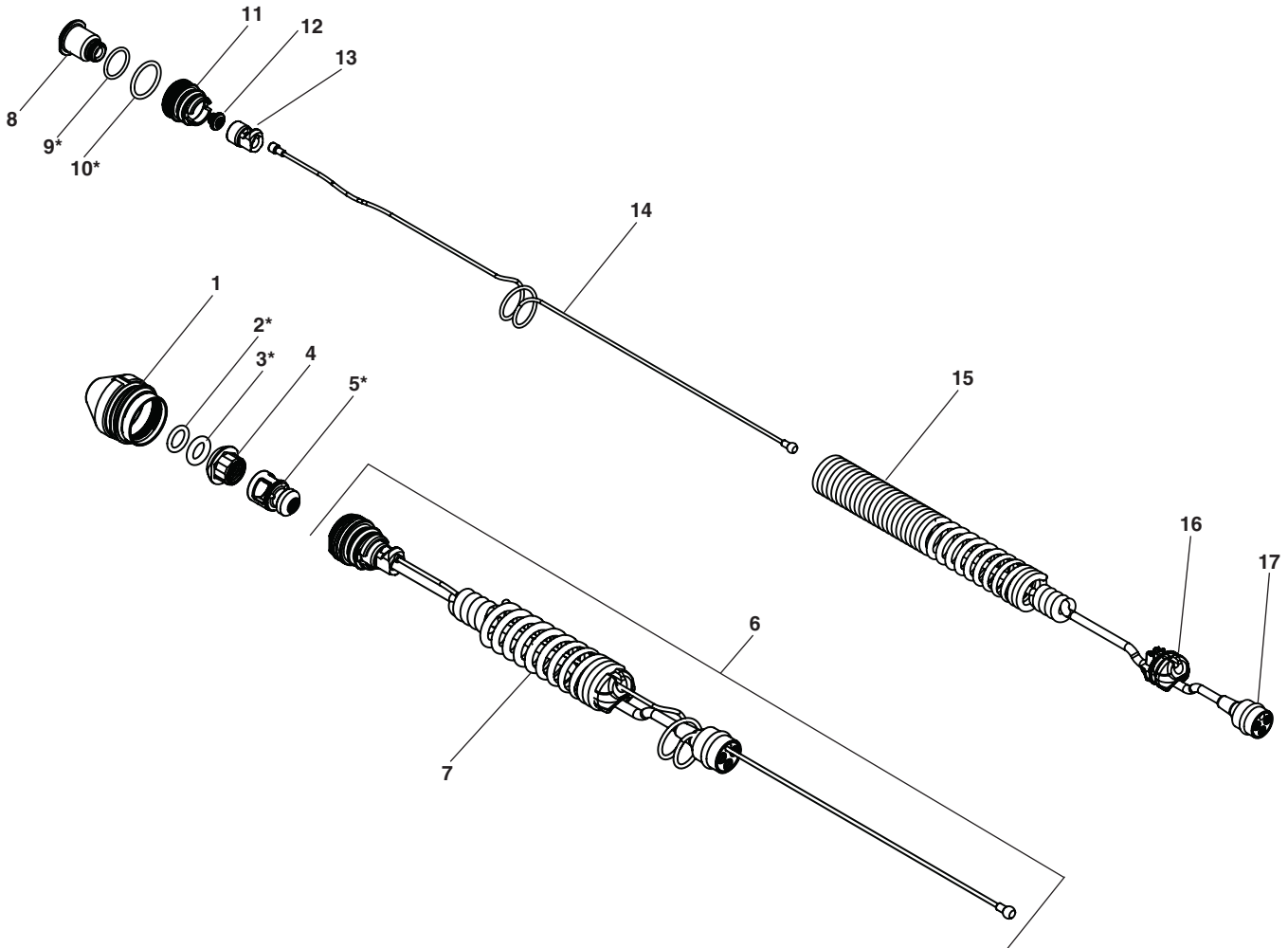
RM200A Push Cable Assembly



**NOTE: Order parts by Catalog Number only.
DO NOT order by Reference Number.**

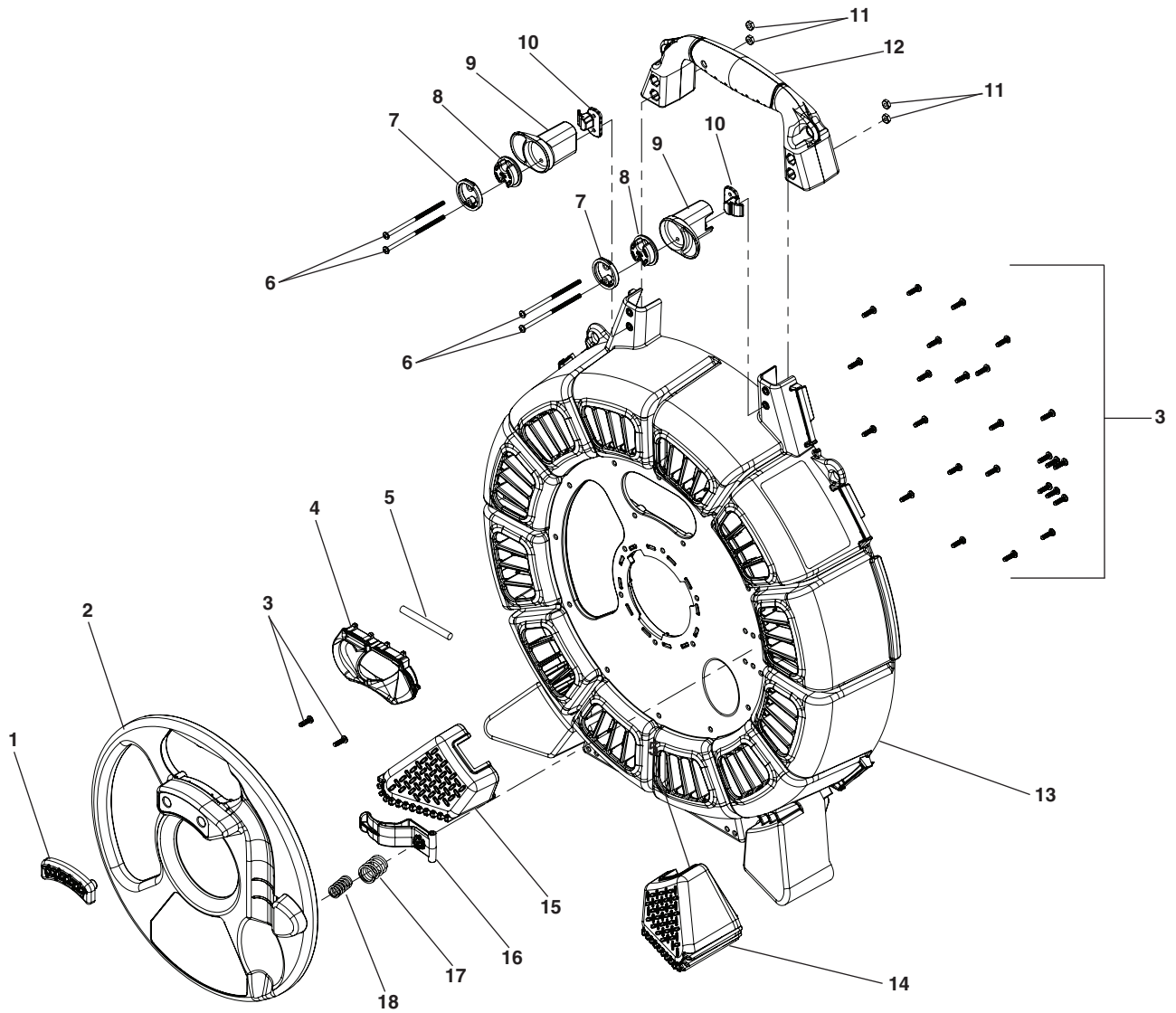
Ref. No.	Catalog No.	Description
-	43863	RM200 Push Cable Assembly 200 ft.
1	43888	Rear Spring Shell
2	44688	O-Ring
3	45383	O-Ring
4	45388	Push Nut
5	71222	O-Ring
6	24258	Push Bond
7	21913	Spring Cap
8	71067	Compression Nut
9	18818	Coil Cord
10	18823	Safety Cable
11	20278	Retaining Ring
12	20283	Connector w/Slot
13	20288	Connector Less Slot
14	20273	Locking Sleeve
15	71607	Clamp
16	35933	Sealing Clamp
17	35928	Wire Plug
18	36223	12 Pin IDC Connector
*	43113	Retermination Kit (Items Marked w/*)
Items Not Shown		
	22728	S.S. Spring
	21908	Compression Bushing (Incl. In Re-term Kit)
	18768	O-Ring (Incl. In Re-term Kit)
	21923	Inline Locking Sleeve

RM200B Push Cable Assembly



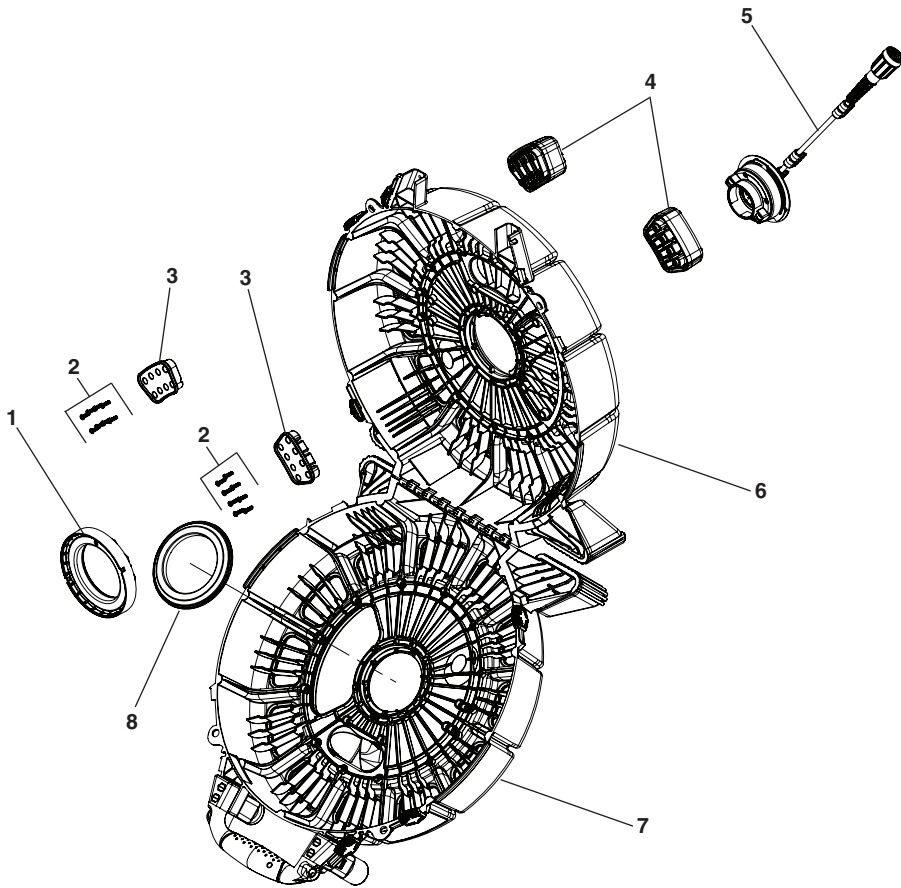
**NOTE: Order parts by Catalog Number only.
DO NOT order by Reference Number.**

Ref. No.	Catalog No.	Description
	51813	D2B Push Cable Asm L/Camera
1	53198	Rear Spring Shell
2	71222	O-Ring
3	45383	O-Ring
4	53188	Push Nut Jacket
5	53193	Push Bond
6	53183	Terminated Cord Asm.
7	53743	Inner Spring
8	53723	Wire Sleeve
9	54268	O-Ring
10	18768	O-Ring
11	53738	Inner Spring Cap
12	21908	Mini Compression Bushing
13	53753	Compression Nut
14	53748	Safety Cable
15	51818	Spring Asm.
16	53733	Inner Spring Plug
17	53728	Coil Cord
*	52593	Retermination Kit
Following Item Not Shown		
	20273	Locking Sleeve
	20288	Connector
	20283	Connector W/Slot
	20278	Retaining Ring



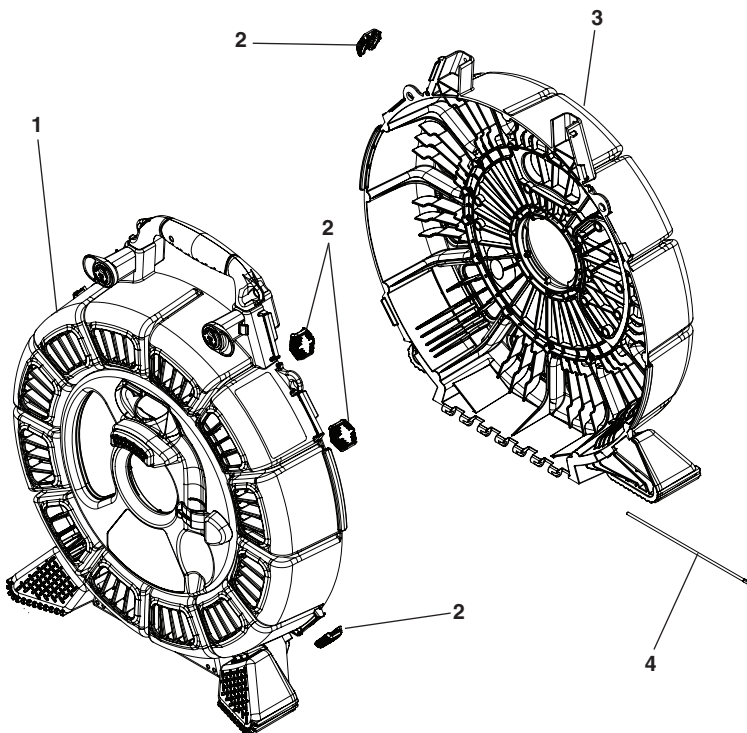
**NOTE: Order parts by Catalog Number only.
DO NOT order by Reference Number.**

Ref. No.	Catalog No.	Description
1	48648	Front Bumper
2	48658	Front Plate
3	24413	Screw, #6 x 1/2" (27)
4	48948	Wear Insert
5	48643	Wear Bar
6	35433	Screw, #6-32 x 3" (4)
7	35428	Cord Wrap Foot Retainer (2)
8	35423	Cord Wrap Foot (2)
9	35413	Cord Wrap (2)
10	35418	Cable Hook (2)
11	35398	Hex Nut (4)
12	50213	Handle
13	50228	Front Housing
14	48623	Foot (Right)
15	48628	Foot (Left)
16	48663	Camera Clamp Hook
17	48573	Spring
18	48578	Spring
Following Item Not Shown		
-	34878	CS-6 Dock



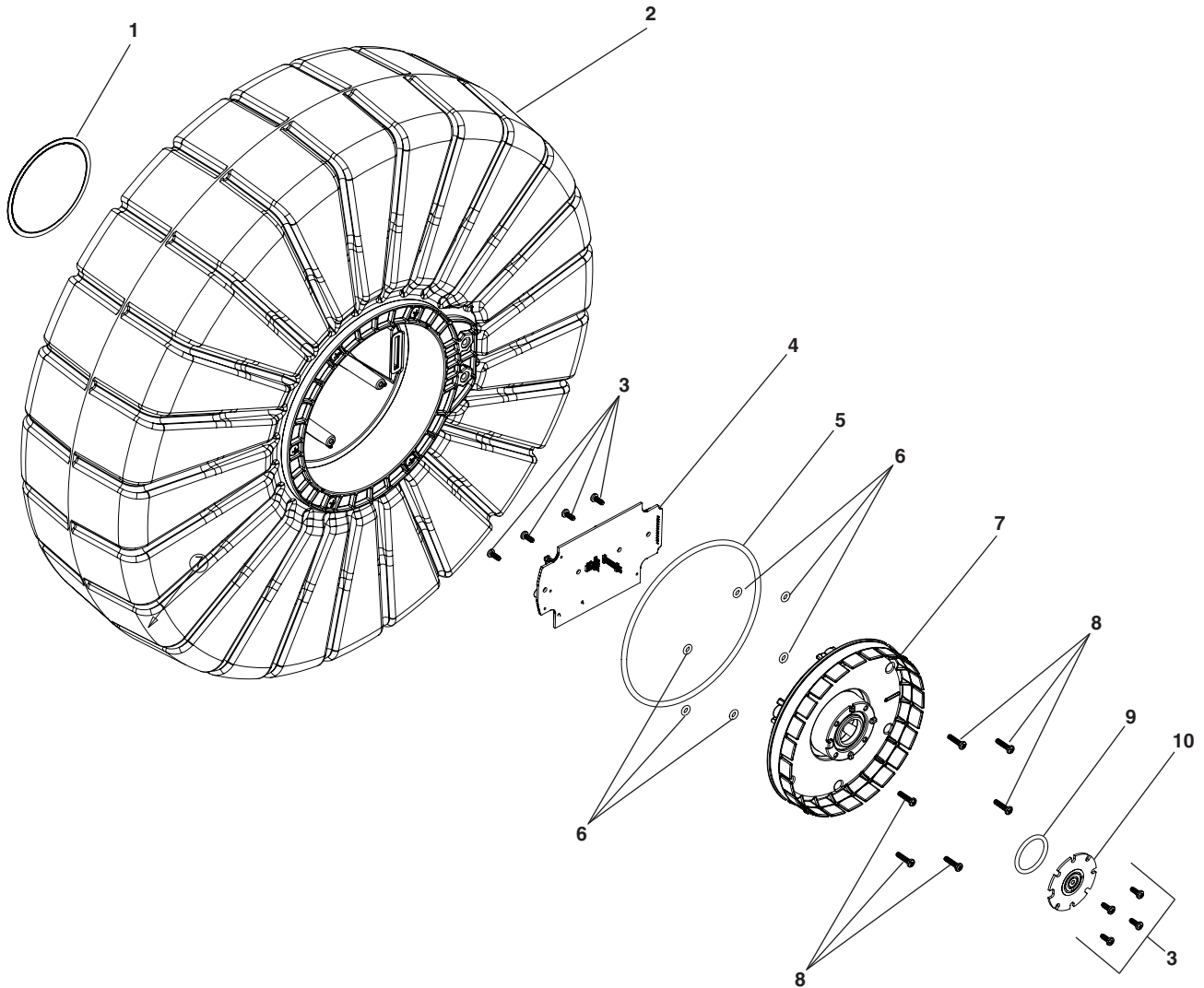
**NOTE: Order parts by Catalog Number only.
DO NOT order by Reference Number.**

Ref. No.	Catalog No.	Description
—	48598	Full Housing Assembly (Incl. 1-8)
1	47593	Rear Bearing Assembly
2	24413	Screw, #6 x 1/2" (16)
3	48653	Retainer (4)
4	48633	Upper Foot (2)
5	33108	Interconnect Cord Assembly
6	50233	Rear Housing
7	50228	Front Housing
8	47588	Front Bearing Assembly



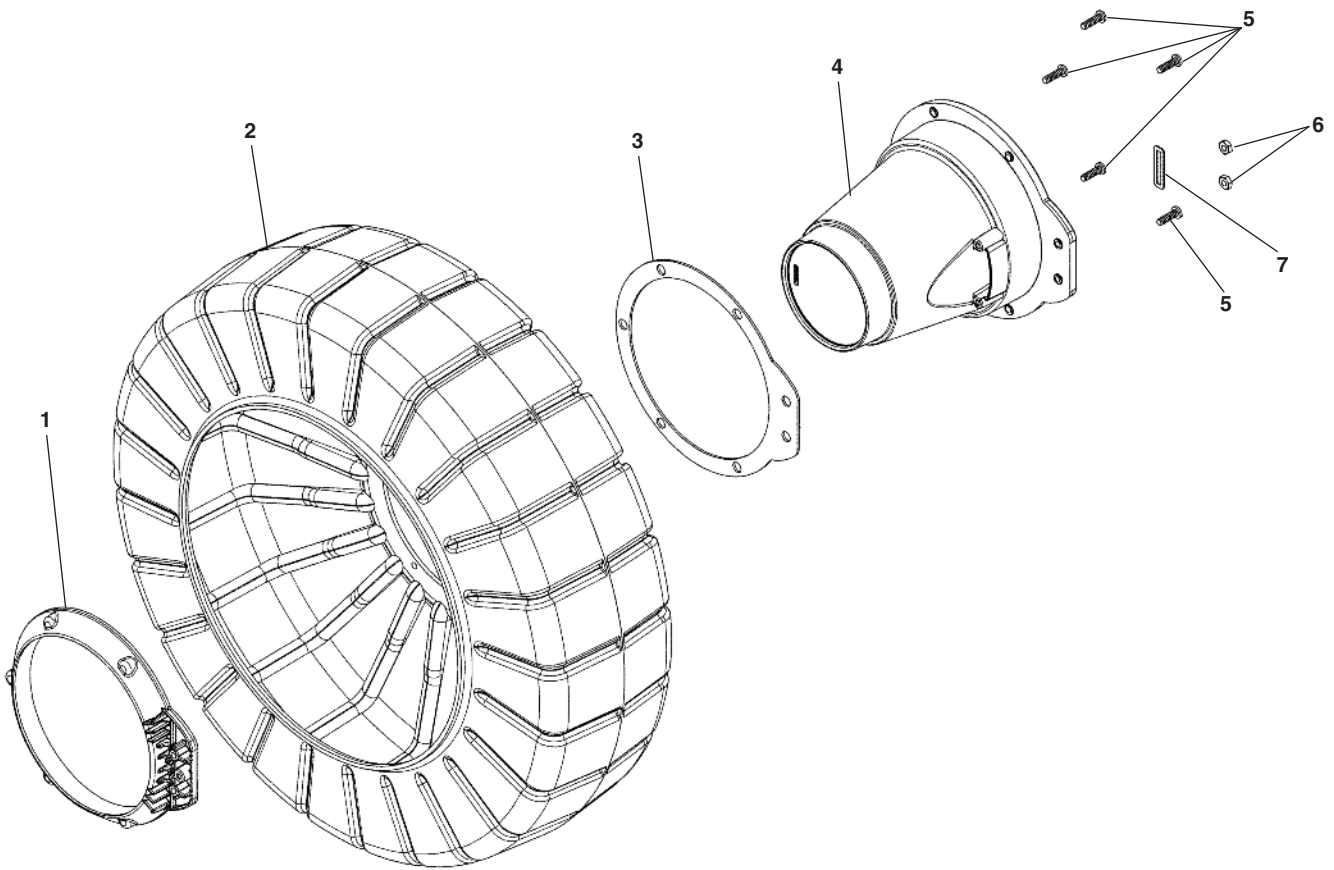
**NOTE: Order parts by Catalog Number only.
DO NOT order by Reference Number.**

Ref. No.	Catalog No.	Description
1	50228	Front Housing
2	48953	Slide Latch (6)
3	50233	Rear Housing
4	48638	Hinge Pin



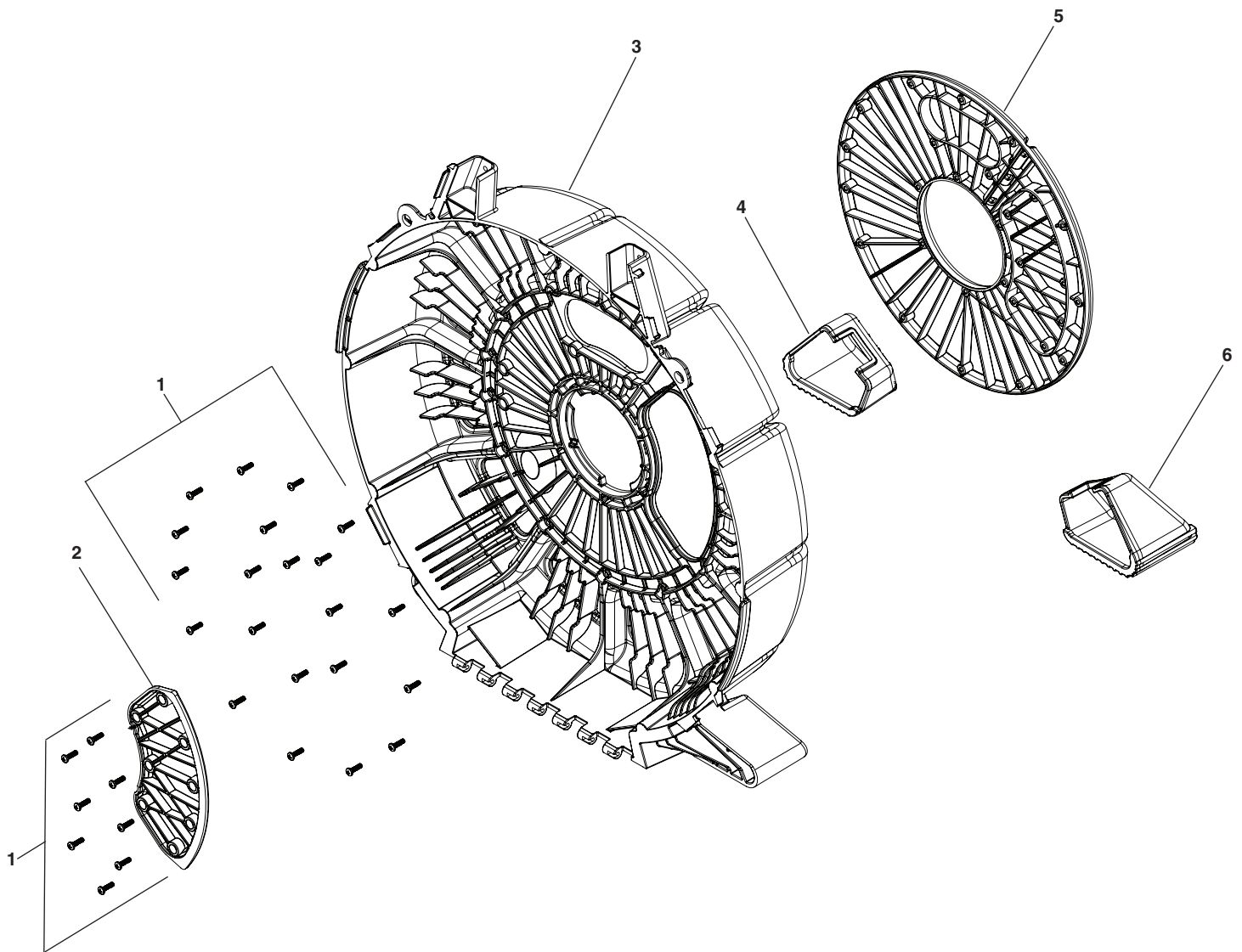
**NOTE: Order parts by Catalog Number only.
DO NOT order by Reference Number.**

Ref. No.	Catalog No.	Description
1	37198	Keypad
2	48603	Drum W/Electronics (Incl. Ref No's 1-10)
3	35548	Screw, #4-20 x 3/16" (8)
4	37188	Hub Board (Counting)
5	35618	O-Ring
6	35608	O-Ring (6)
7	35593	PCB Hub Mount
8	24488	Screw, #4 x 1/2"
9	35613	O-Ring
10	35598	Drum Side PCB



**NOTE: Order parts by Catalog Number only.
DO NOT order by Reference Number.**

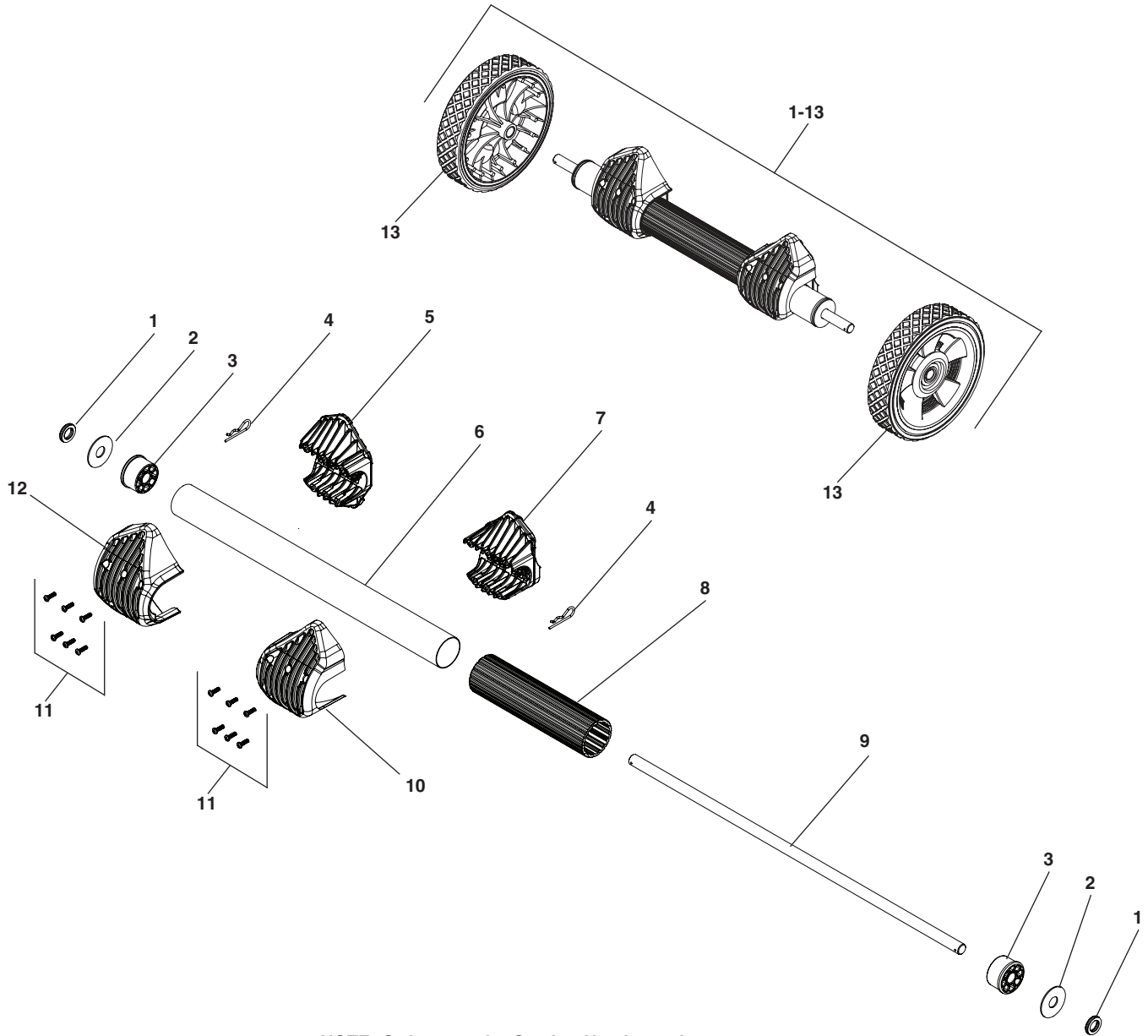
Ref. No.	Catalog No.	Description
1	35628	Hub Retainer
2	48618	Drum Only
3	35643	Drum Hub Gasket
4	48613	Hub Cone
5	30803	Screw, #8-16 x 5/8"
6	35648	Hex Nut, #8-32
7	35588	Connector Gasket



**NOTE: Order parts by Catalog Number only.
DO NOT order by Reference Number.**

Ref. No.	Catalog No.	Description
1	24413	Screw, #6 x 1/2" (29)
2	51643	Rear Reinforcement Plate
3	50233	Rear Housing
4	48623	Foot (Right)
5	48958	Rear Plate
6	48628	Foot (Left)

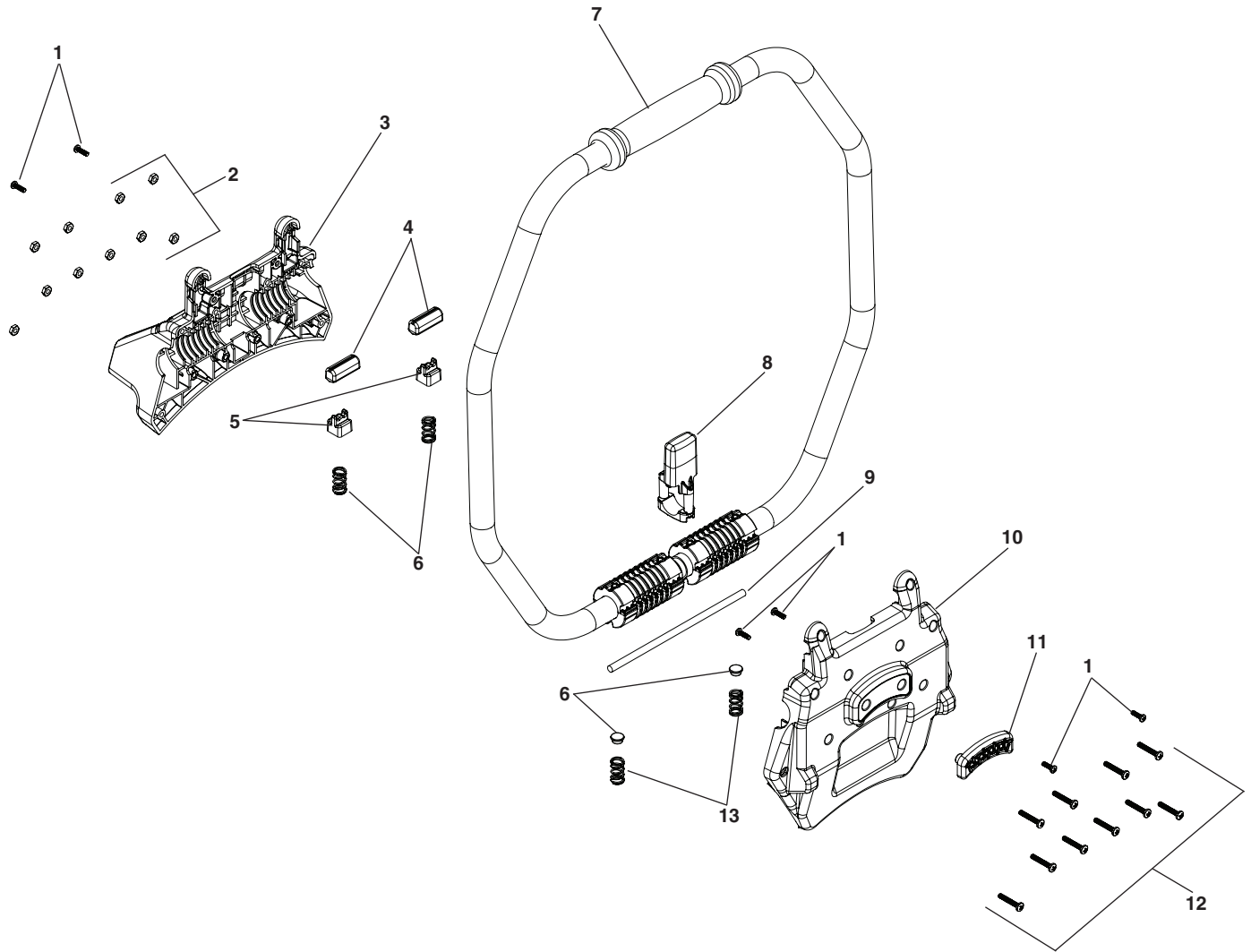
Transporter



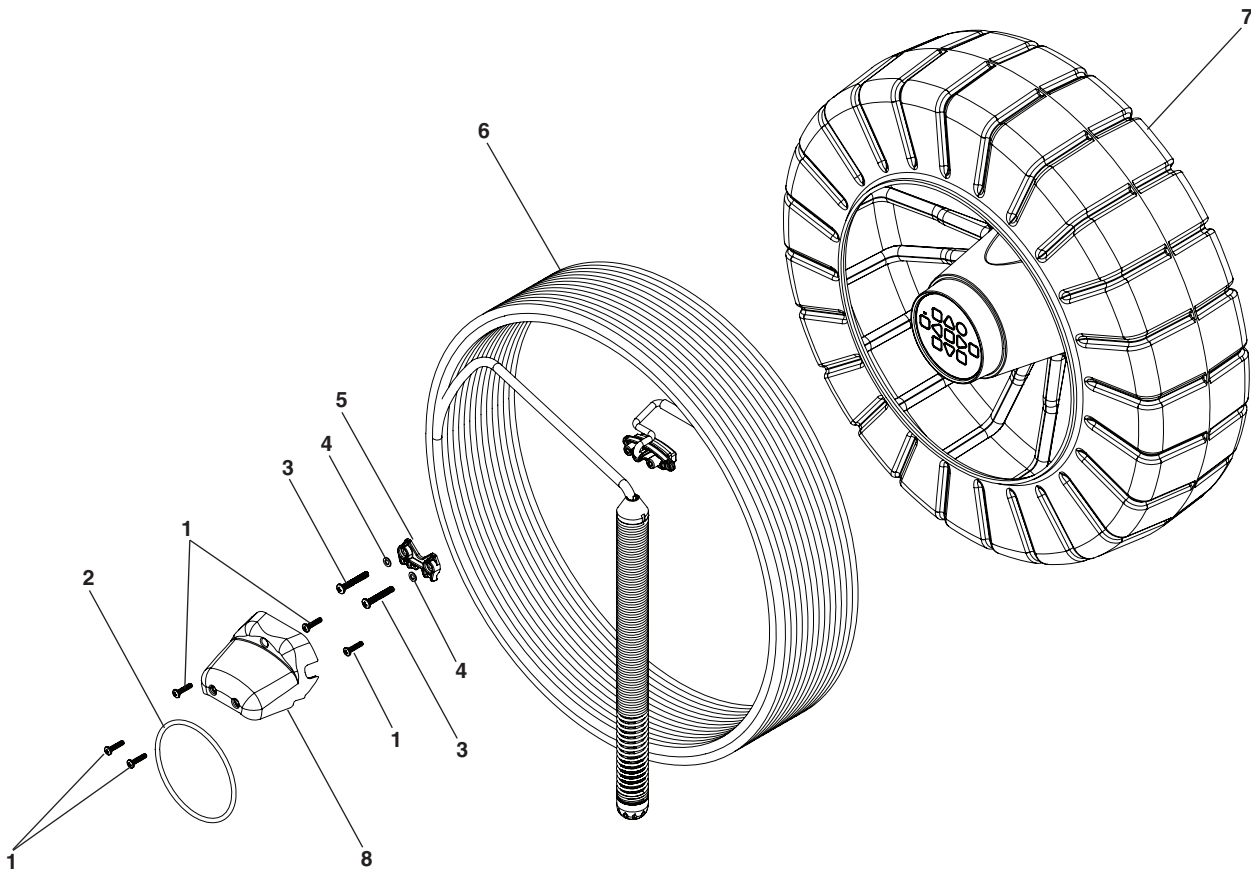
**NOTE: Order parts by Catalog Number only.
DO NOT order by Reference Number.**

Ref. No.	Catalog No.	Description
—	50863	Wheel Asm. (Incl Ref No's 1-13)
1	48708	Axle Spacer (2)
2	50873	Flat Washer (2)
3	48673	Axle Plug (2)
4	50868	Hitch Pin (2)
5	48688	Axle Tube Mount (Left)
6	48683	Axle Tube
7	48693	Axle Tube Mount (Right)
8	48668	Axle Tube Sleeve
9	48678	Wheel Axle
10	48703	Axle Tube Cap (Right)
11	24413	Screw, #6 x 1/2" (12)
12	48698	Axle Tube Cap (Left)
13	68242	Wheel (2)

Handle Assembly



Ref. No.	Catalog No.	Description
—	48943	Handle & Mount Asm (Incl. #'s 1-13)
1	24413	Screw, #6 x 1/2" (6)
2	35648	Hex Nut (10)
3	48913	Inner Handle Mount
4	48928	Slide Lock (2)
5	48933	Handle Détente (2)
6	48583	Handle Springs (4)
7	48938	Handle
8	48918	Handle Button
9	50918	Lock Bar
10	48908	Outer Handle Mount
11	48648	Front Bumper
12	50923	Screw, #8-32 x 1" (10)
13	48923	Spring Cap (2)



**NOTE: Order parts by Catalog Number only.
DO NOT order by Reference Number.**

Ref. No.	Catalog No.	Description
1	35663	Screw, #6 x 5/8" (5)
2	49213	O-Ring
3	50833	Screw, #8-32 x 1 1/4" (2)
4	50838	Washer (2)
5	35658	Push Cable Retainer
6	43863	Push Cable Asm (Less Camera)
7	48603	Drum Asm. W/Electronics
8	50848	Hub Shield