

## LOW LEAD COMPLIANT PUSH-FIT VALVE FOR WATER

**Features:**

- 200 PSI Max. Working Pressure
- Push-Fit Ends
- For Copper, CPVC, and PEX\* Pipe
- Full Port
- Solid Ball
- NSF 61 Annex G Certified (IAPMO) (Annex G references NSF 372)
- Max temperature: 200°F (water)
- Blow-out Proof Stem
- Adjustable Packing
- Includes Removal Tool



\* Not for use with PEX-AL-PEX or PEX tubing with an oxygen barrier.

**NOT FOR USE AT OR BELOW  
GROUND LEVEL**



Low Lead Compliant: Referring to laws defining "Lead Free" as wetted surface of pipe, fittings and fixtures in potable water systems that have a weighted average lead content  $\leq 0.25\%$  per the Safe Drinking Water Act (Sec. 1417) amended 1-4-2011 as well as other state regulations.

The FNW X485A Push-Fit ball valve saves valuable installation time. Its ability to connect to multiple pipe types reduces inventory levels by decreasing the number of different valves and fittings that would normally need to be stocked. Whether it's copper, CPVC, or PEX\*, the X485A provides for an easy install. The push-fit valve connection is also just as easily removed using the tool provided with every valve.



COPPER



CPVC



PEX\*



Removal Tool Included

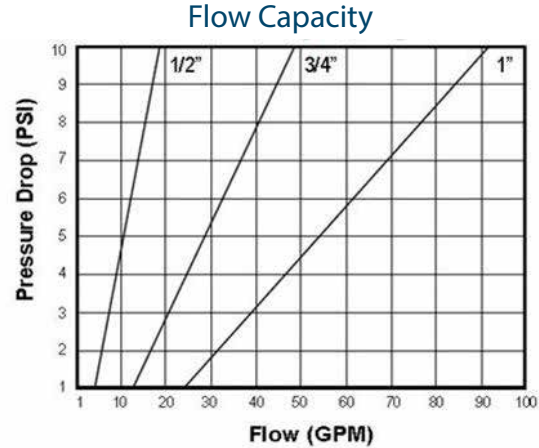
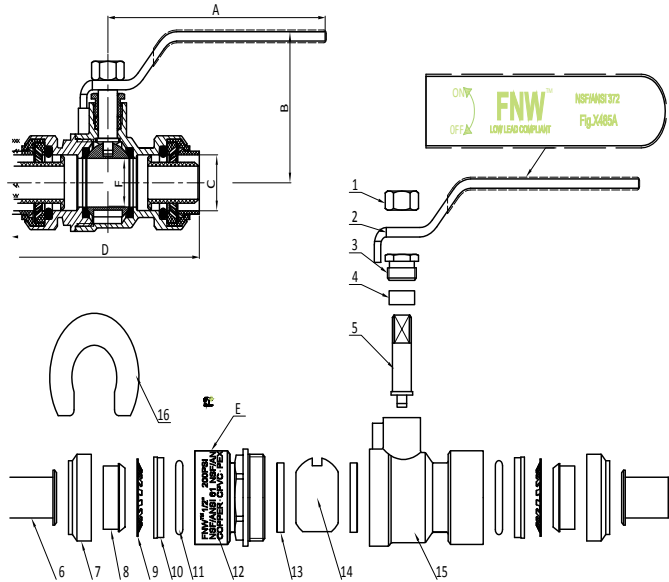
### Weights

Size	Wt. (Lbs)
1/2	0.55
3/4	0.95
1	1.47

### Figure Number Matrix

<b>F N W X485A Size</b>
SIZE CODES
1/2 = D
3/4 = F
1 = G

### LOW LEAD COMPLIANT PUSH-FIT VALVE FOR WATER



Max Pressure: 200PSI  
 Max Temp: 200°F(water)  
 Standards: ASSE1061, MSS SP-110

#### Standard Materials

NO.	NAME	MATERIAL	TYPE/GRADE	Q'ty
1	HANDLE NUT	Stainless Steel	S201	1
2	HANDLE	Chromium Plated Steel	Q235	1
3	PACKING GLAND	Brass	ASTM B124 -C37700	1
4	STEM PACKING	PTFE	PTFE	1
5	STEM	LF DZR Brass	C46500 MOD	1
6	PEX SUPPORT	PSU	PSU	2
7	PROTECTOR	POM	POM	2
8	RELEASER	POM	POM	2
9	GRIP RING	Stainless Steel	S304	2
10	LOCK RING	POM	POM	2
11	O-RING	EPDM	EPDM	2
12	END CAP	LF DZR Brass	C46500 MOD	1
13	SEAT SEAL	PTFE	PTFE	2
14	BALL	LF DZR Brass Chrome Plated	C46500 MOD	1
15	BODY	LF DZR Brass	C46500 MOD	1
16	REMOVAL TOOL	POM	POM	1

#### Dimensions

Size	A	B	C	D	F	WEIGHT	QTY/BOX	QTY/CTN
1/2"	99	49	Ø16.1 <sup>+0.1</sup> <sub>0</sub>	76.6	Ø14(0.55)	195	10	100
3/4"	99	52	Ø22.35 <sup>+0.1</sup> <sub>0</sub>	85.3	Ø19(0.75)	300	10	100
1"	110	62.5	Ø28.8 <sup>+0.2</sup> <sub>0</sub>	100.3	Ø25(0.98)	525	5	50
Unit	mm					Gram	PCS	PCS

DOC: FNWX48509 Ver. 4/2014

© 2014 - FNW. All rights reserved.

The FNW logo is a trademark of Ferguson Enterprises, Inc., PL Sourcing, PO Box 2778, Newport News, VA 23609

The contents of this publication are presented for information purposes only, and while effort has been made to ensure their accuracy, they are not to be construed as warranties or guarantees, expressed or implied, regarding the products or services described herein or their use or applicability. All sales are governed by our terms and conditions, which are available on request. We reserve the right to modify or improve the designs or specifications of our products at any time without notice. Always verify that you have the most recent product specifications or other documentation prior to the installation of these products.