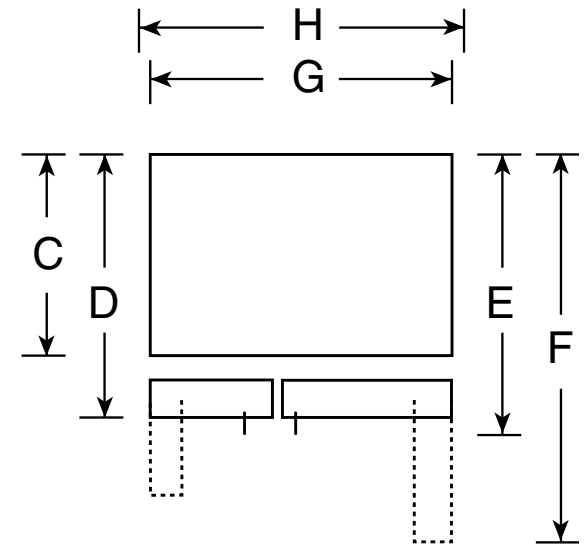
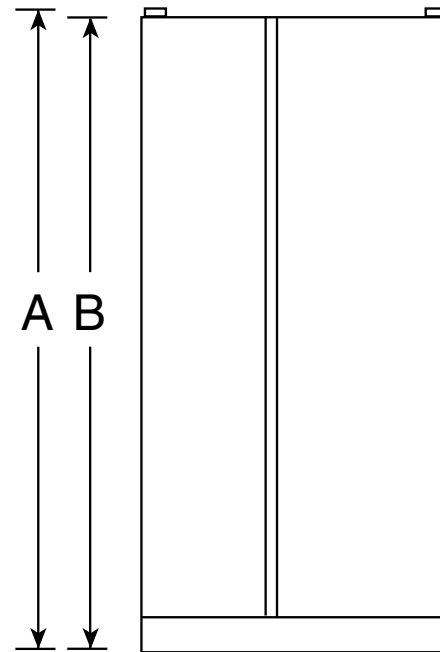


GZS22DSJ/DMJ

GE® 21.9 Cu. Ft. Counter-Depth Side-By-Side Refrigerator

Dimensions and Installation Information (in inches)

Overall Dimensions	Height to top of hinge (in.) A	69-1/4
	Height to top of case (in.) B	68-3/4
	Case depth without door (in.) C	23-7/8
	Case depth less door handle (in.) D	27
	Case depth with door handle (in.) E	29-1/2
	Depth with fresh food door open 90° (in.) F	46
	Width (in.) G	35-3/4
	Width with door open 90° inc. door handle (in.) H	41-3/8
Air	Each side (in.)	1/8
	Top (in.)	1
	Back (in.)	2



†Water hook-up fits in back air clearance when calculating installation depth.

If installed against a wall, allow clearance of 10-3/4" on freezer side to remove bin.

Clearance required to remove fresh food full-size pan without disassembling is 15".

Allow additional space for any necessary leveling adjustments.



imagination at work

For answers to your Monogram® or GE appliance questions, visit our website at geappliances.com or call GE Answer Center® service, 800.626.2000.



Listed by
Underwriters
Laboratories



Total volume and shelf area are calculated by the Association of Home Appliance Manufacturers' standards.

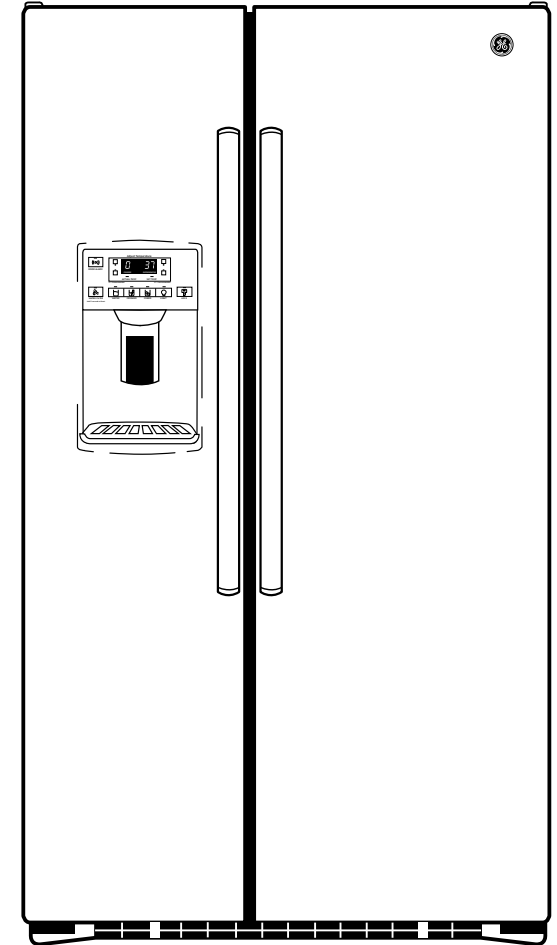
Specification Revised 2/15

GZS22DSJ/DMJ

GE® 21.9 Cu. Ft. Counter-Depth Side-By-Side Refrigerator

Features and Benefits

- Counter-depth design - Offers a built-in look by fitting nearly flush with surrounding cabinetry
- 70" tall
- LED Lighting - Find all your favorite foods under natural-look light
- Integrated shelf support system - Provides strong, flexible support
- Adjustable slide-out, spillproof glass shelves - Raised edges help contain spills and make clean up quick and easy
- Adjustable clear door bins - Offers ideal space for large containers in the door and frees up valuable shelf space
- Fresh food multi-level drawers - Provides the ideal environment for storing your fruits and vegetables
- Glass freezer shelves - Enjoy a high-end appearance with secure storage for a variety of items
- Quick Ice setting - Create ice up to 50% faster than normal settings
- Advanced filtration - Removes trace pharmaceuticals from water and ice* and uses replacement filter MWF (*Removes ibuprofen, atenolol, fluoxetine, progesterone and trimethoprim. These pharmaceuticals are not necessarily in all users' water)
- Model GZS22DSJSS - Stainless steel
- Model GZS22DMJES - Slate



imagination at work