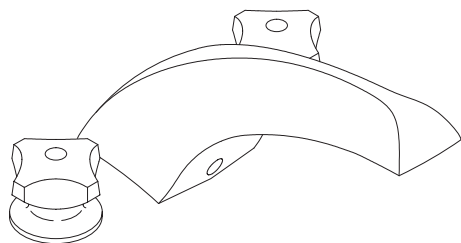




Installation Guide

Triton™ Deck-Mount Bath Faucet Trim

K-T7019



Thank You For Choosing Kohler Company

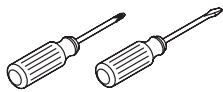
We appreciate your commitment to Kohler quality. Please take a few minutes to review this manual before you start installation. If you encounter any installation or performance problems, please don't hesitate to contact us. Our phone numbers and website are listed on the back cover. Thank you again for choosing Kohler Company.

Before You Begin

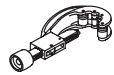
- Turn off the main water supply.
- Observe all local plumbing codes.

NOTE: The valve is sold separately. Please refer to the instructions packed with the valve for installation procedures.

Recommended Tools and Materials



Assorted
Screwdrivers



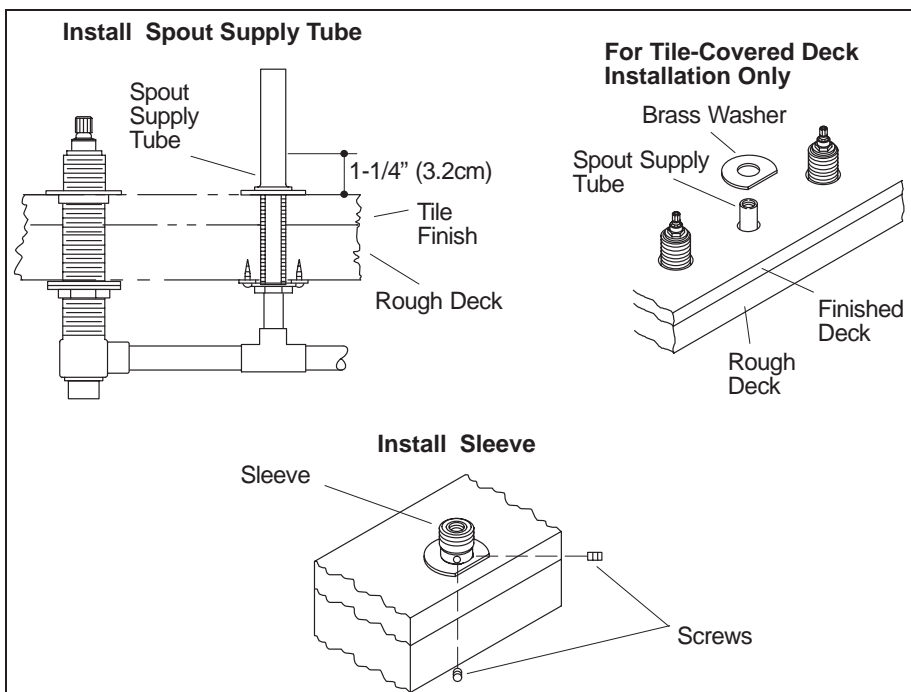
Tube Cutter



Hex
Wrench



Plumbers
Putty



1. Install Spout Supply Tube

- Remove the plaster guard from the spout supply tube.
- Cut the supply tube so 1-1/4" (3.2cm) remains above the rim, finished deck or tile.
- Ensure that all burrs are removed from the spout supply tube to prevent damage to the O-ring seal inside the sleeve.

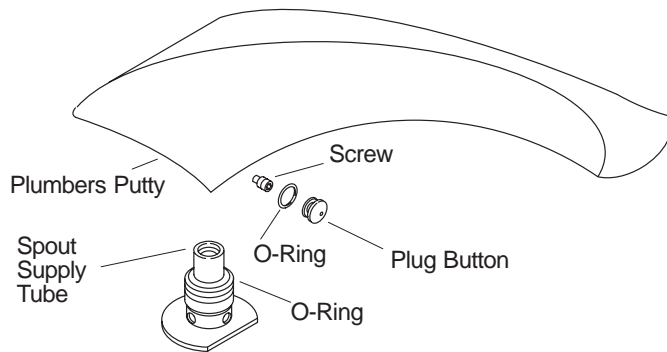
For tile-covered rough-deck installation only

- Slide the brass washer, furnished with the spout, onto the spout supply tube with the flat side facing forward.

NOTE: The washer is not needed for rim/finished deck installations.

Install Sleeve

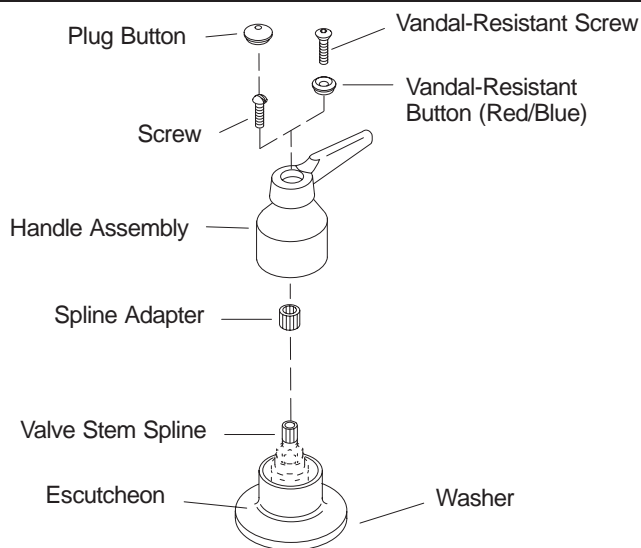
- Loosen the setscrews in the sleeve.
- Use a twisting motion to install the sleeve onto the spout supply line until it contacts the washer.
- Align the sleeve so the setscrews are not facing directly forward or backward. Tighten the setscrews.



2. Install the Spout

⚠ CAUTION: Risk of property damage. Use care when installing the spout to prevent damage to the O-ring on the outside of the sleeve.

- Place a ring of plumbers putty or appropriate sealant around the underside of the spout according to the putty manufacturers instructions.
- Carefully press the spout onto the sleeve until the spout base contacts the deck, rim or tile.
- Align the spout and tighten the setscrew.
- Place O-ring over plug button.
- Insert plug button over the screw flush with the spout.



3. Install Handles

- Install the washer into the base of the escutcheon and thread the escutcheon onto the valve body.
- Install the spline adapter halfway onto the valve stem spline.
- Press the handle loosely onto the spline adapter and check alignment of the handle.
- If alignment is needed, remove the handle and reposition the spline adapter on the valve stem spline until proper handle alignment is achieved.
- Secure the handle with the screw and press the plug button in place.
- For vandal-resistant installations, insert the vandal-resistant button and secure with vandal-resistant screw.
- Repeat for other handle.







USA: 1-800-4-KOHLER
Mexico: 001-877-680-1310
Canada: 1-800-964-5590
kohler.com

THE BOLD LOOK
OF **KOHLER**®

© 2001 Kohler Co.

1011303-2-A