



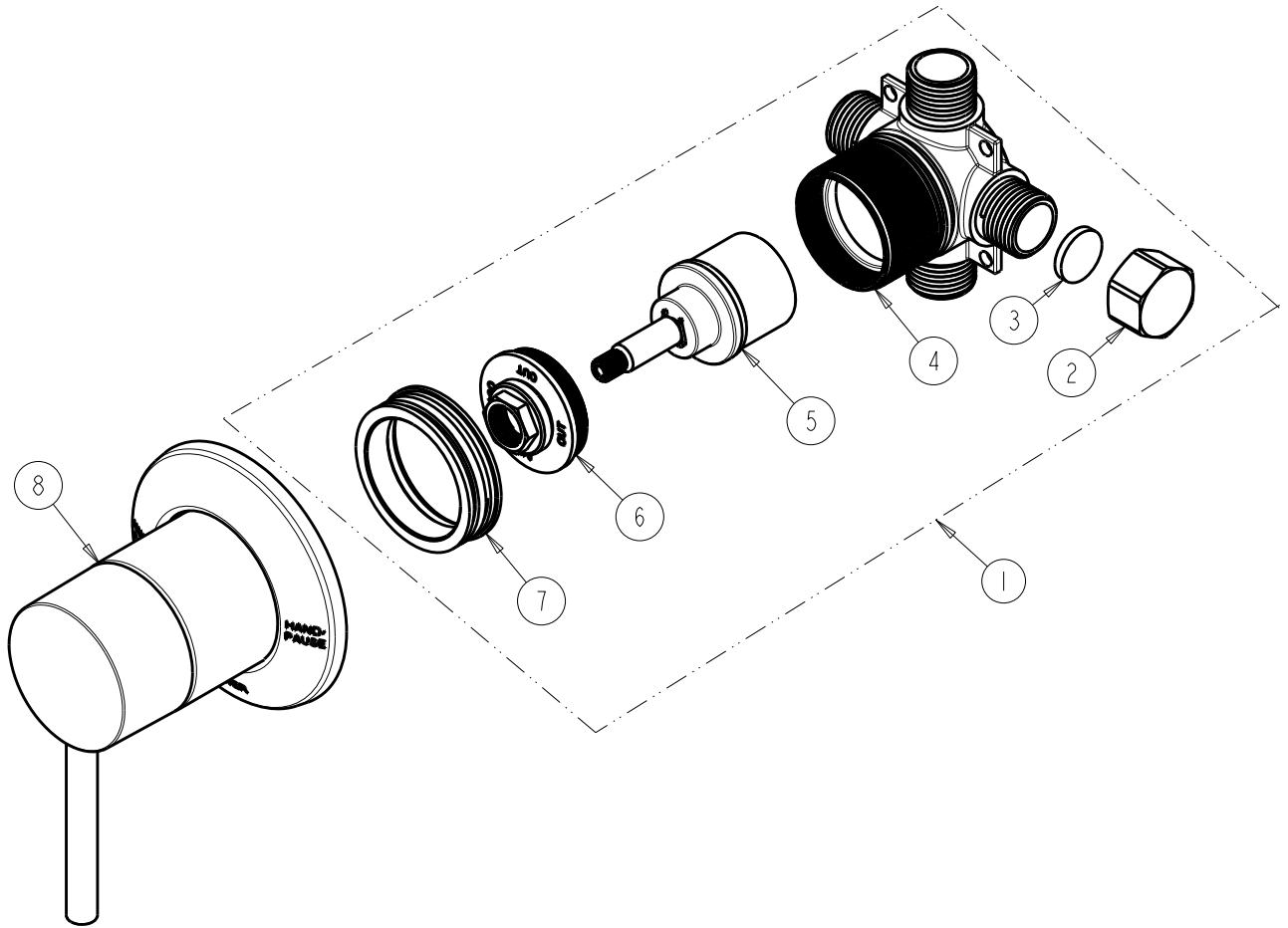
2100 South Clearwater Drive
Des Plaines, IL 60018
Phone: 847-803-5000
Fax: 847-803-5454
www.chicagofaucets.com

FOR TECHNICAL ASSISTANCE
1-800-TEC-TRUE (1-800-832-8783)

REPAIR PARTS

BY: SID DATE: 12-02-14
CHK: *gms* REV: 06-21-21

FITTING NO.
763-CP
SUBMITTED MODEL NO.
ITEM NO.



ITEM	PART NO.	DESCRIPTION
1	763-VONF	DIVERTER SHOWER VALVE ONLY
2	-----	CAP NUT
3	-----	GASKET
4	-----	VALVE BODY
5	763-XJKNF	3 WAY DIVERTER CARTRIDGE
6	-----	NUT, CARTRIDGE
7	-----	DIVERTER SLEEVE
8	763-TKCP	TRIM KIT, EXTERIOR PARTS