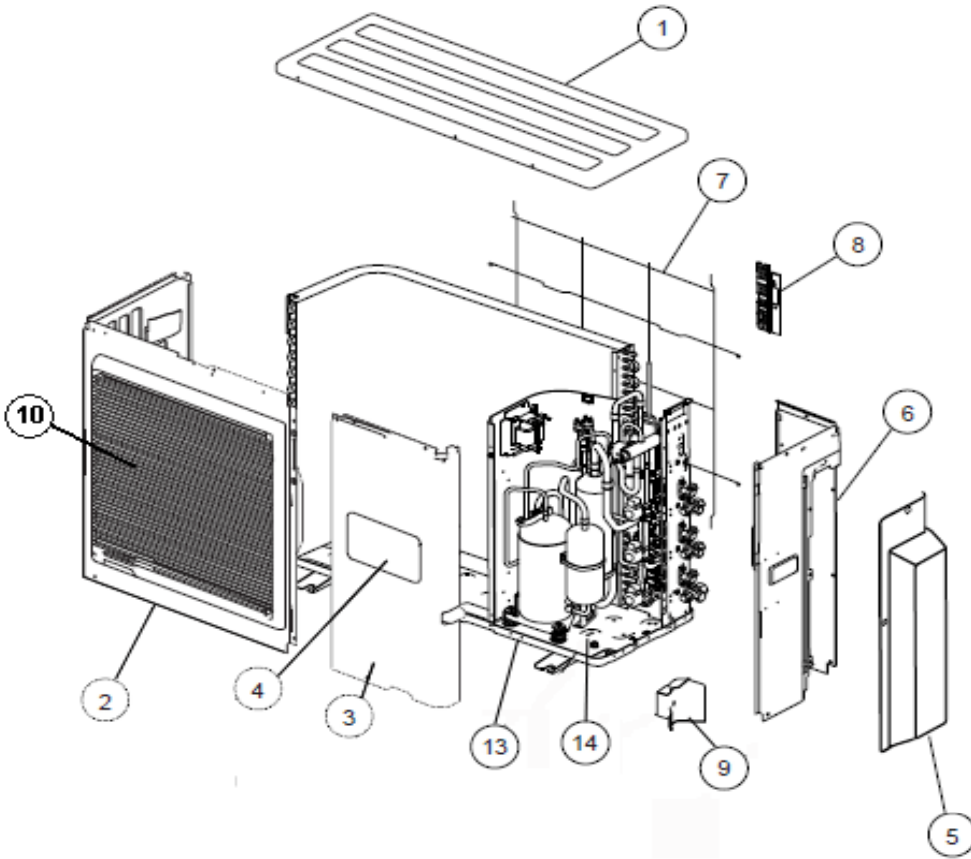
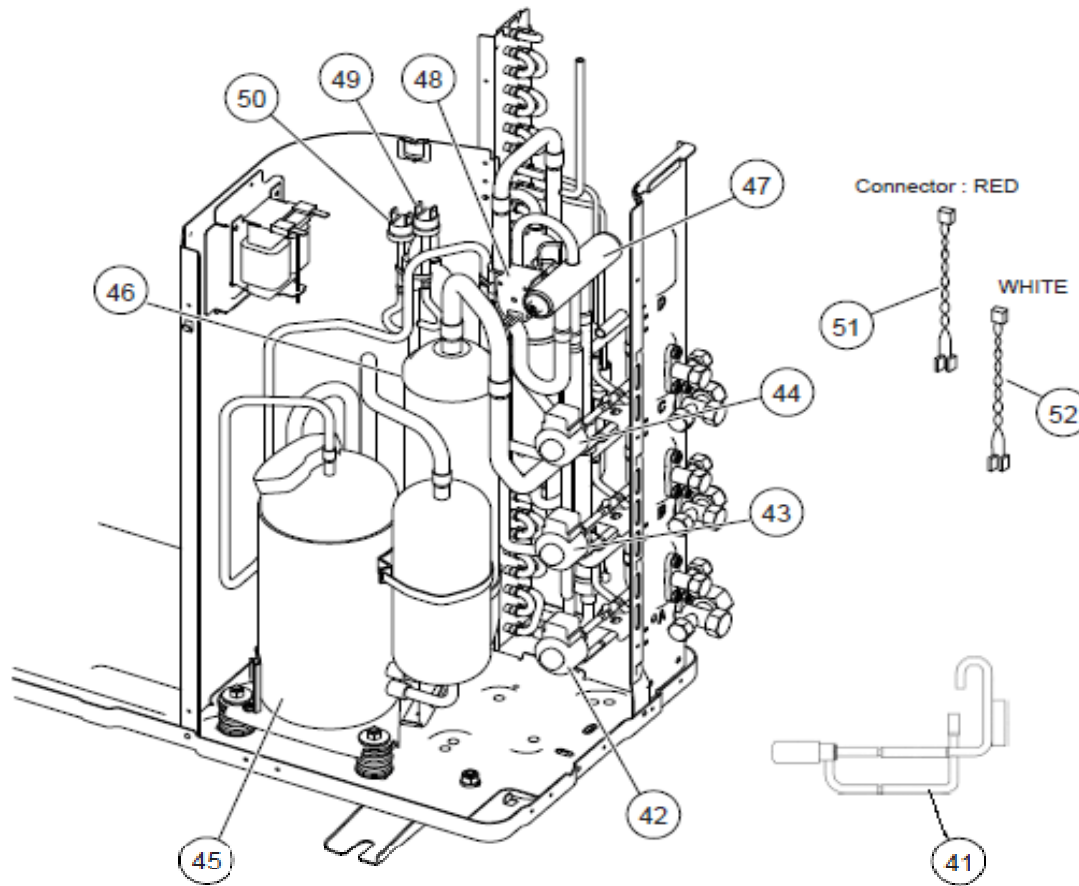


## AOU24RLXFZ - CABINETRY



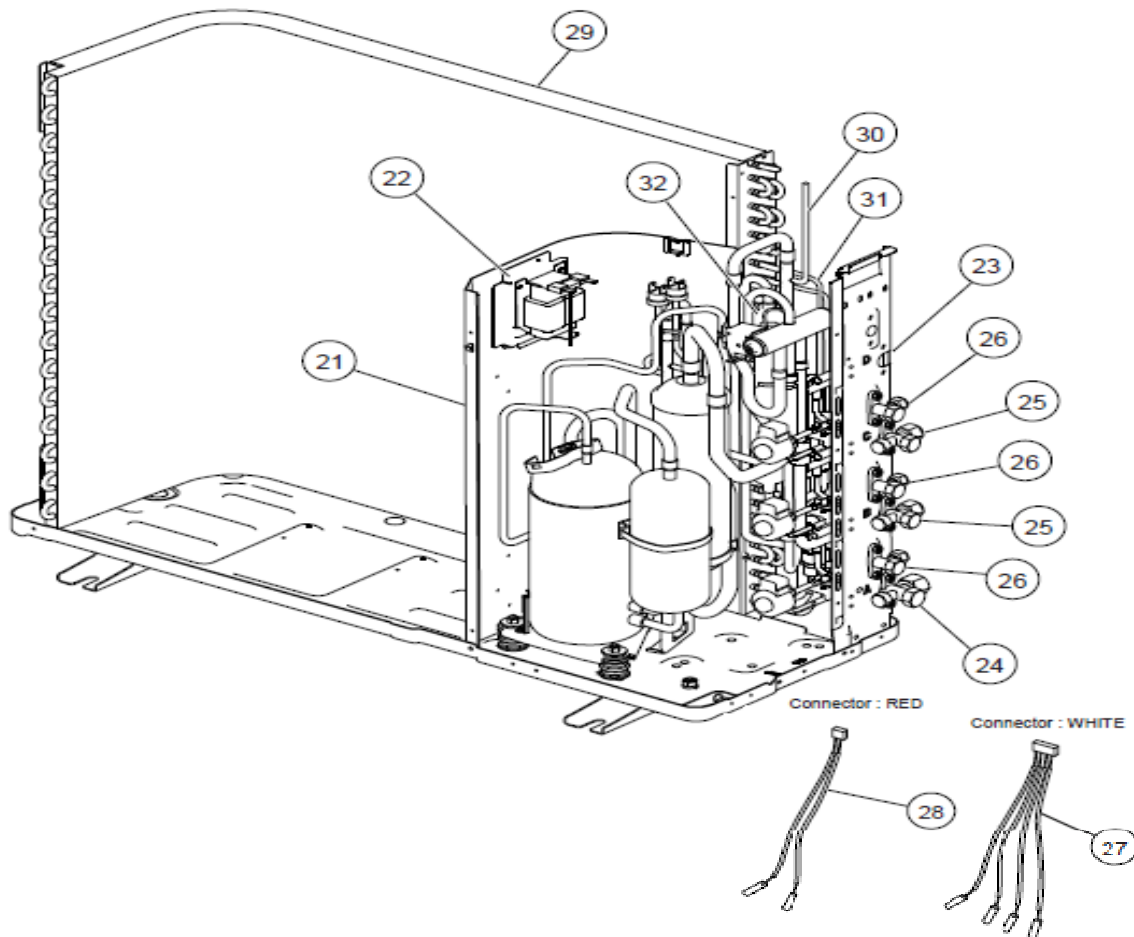
Bubble #	Part #	Description
1	K9374417049	TOP PANEL SUB ASSY HFI#
2	K9374414123	FRONT PANEL ASSEMBLY HFI W/FAN GUARD
3	K9374415045	SERVICE PANEL HFI#
4	K9351355005	EMBLEM REAR RPAC/RLXS 'FUJITSU'
5	K9374827015	VALVE COVER SUB ASSY 410PAC+#
6	K9374416172	RIGHT PANEL HFI# METAL PAINTED
7	K9375381028	PROTECTIVE NET HFI# SWM-B
8	K9375211011	THERMO HOLDER RPAC HFI# PP BEIGE
9	K9375222017	WATER SEAL PLATE 18/24RLXFZ PP(1YR05 BEIGE)
10	K9380332008	FAN GUARD HFI# SWM-B METAL PAINTED
13	K9375304102	BASE SUB ASSY HFI 1-COMP 15F ACCUM Replaces: K9374166305
14	K9375221058	COMPRESSOR PLATE AOU24RLXFZ PATTERN-A 3-M8X49 ACCUM DRAIN PIPE L-TYPE 410 ALL# WITH GASKET Replaces:
A	K9303029022	K9301102000,K9303029015
B	K313166024302	DRAIN CAP RPAC+HFI# RUBBER

## AOU24RLXFZ - COMPRESSOR ASSY



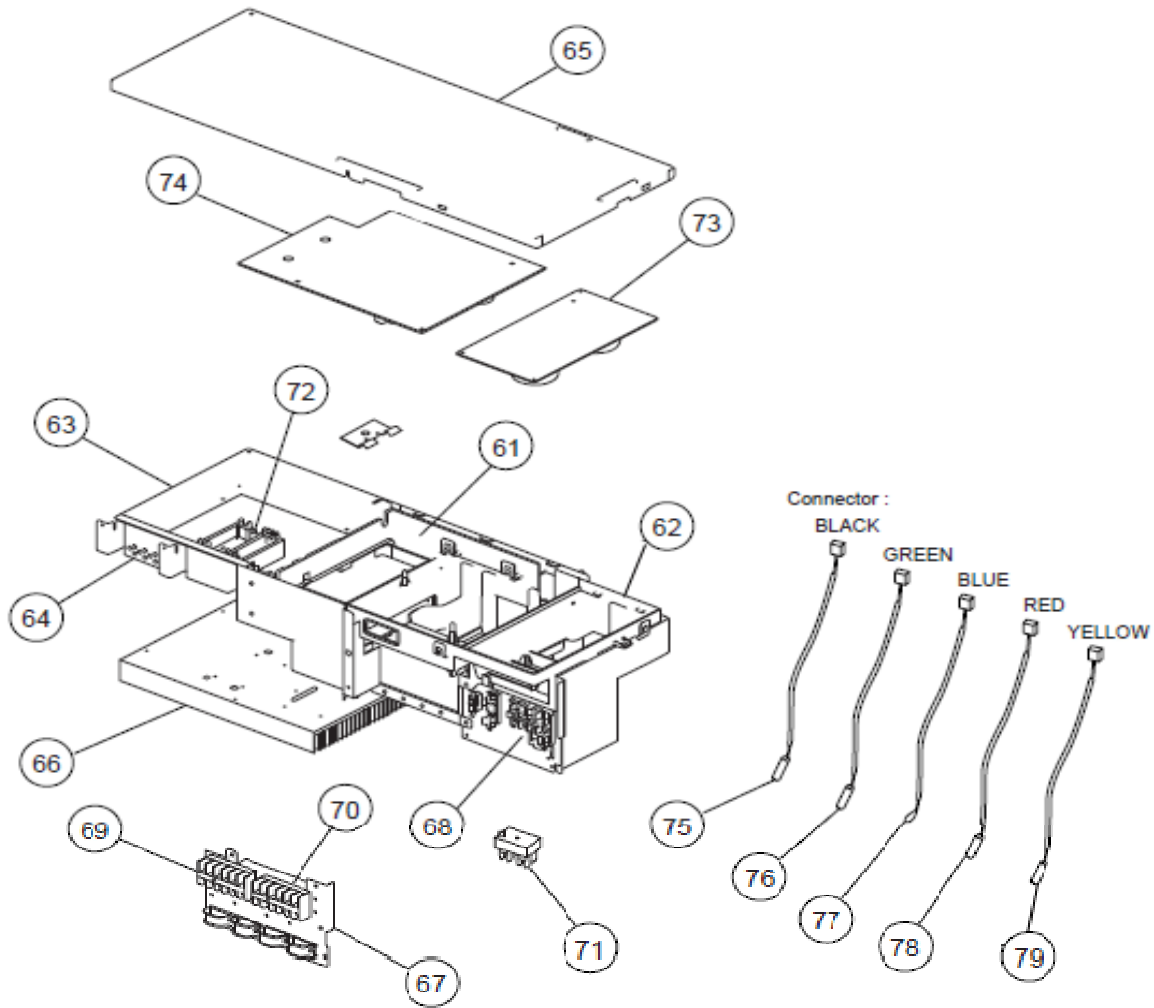
Bubble #	Part #	Description
41	K9378321014	EXPANSION VALVE ASSY 410 PAC BRAZING 2 PCS. Replaces: K9370947151,K9370947106
42	K9970101069	COIL EXPANSION VALVE A=RED# CAM-MD12KG-406 L=1000 Replaces: K9900057084
43	K9970101038	COIL EXPANSION VALVE B WHITE# CAM-MD12KG-403 L=700 Replaces: K9900057053
44	K9970101045	COIL EXPANSION VALVE C=GREEN# CAM-MD12KG-404 L=600 Replaces: K9900057060
45	K9375710019	COMPRESSOR ASSY CL1 HFI# DA150A1F-20NA Replaces: K9315297037,K9374423187,K9315297044
46	K9375250027	ACCUMULATOR ASSY AOU18RLXFZ# BRAZING RB48
47	K9374425136	VALVE 4 WAY ASSY 24RLXFZ# DW W/PIPES 19'x11'x7'
48	K9900165079	SOLENOID RAC+ HFI SQ-513
49	K9900186012	PRESSURE SW A (1) Hi RPAC+XLS ACB-4TB12
50	K9900341015	PRESSURE SW B (2) RPAC+XLS ACB-4TB13 Replaces: K9900312015
51	K9377823014	WIRE(PR SW) HFI UL1430 AWG20 RED
52	K9377823021	WIRE(PR SW) HFI UL1430 AWG20 WHITE

## AOU24RLXFZ - CONDENSER ASSY



Bubble #	Part #	Description
21	K9374413164	SEPARATE WALL HFI# METAL
22	K9900366018	COIL CHOKE 410 RPAC+# TTFFG05401 30A 0.32MH
23	K9374628100	VALVE PLATE A HFI PAINTED BEIGE
24	K9375104016	VALVE 3 WAY PAC HFI# 1/2'
25	K9375103019	VALVE 3 WAY PAC HFI# 3/8'
26	K9375102012	VALVE 2 WAY PAC+HFI# WITH CAP/FLARE NUT
27	K9900543020	THERMISTOR VALVE PIPE PAC HFI DTN-FTZ131Y WHITE Replaces: K9900373030
28	K9900372019	THERMISTOR PIPE HFI KTM-D45-F2-1 RED Replaces: K9900632007
29	K9374433179	CONDENSER A ASSY 18/24HFI 2*32 1.45 COR BLU WIDE D7 Replaced by: K9374420223
30	K9373461104	INLET PIPE (COND) A ASSY HFI BRAZING
31	K9374266111	OUTLET PIPE (COND) A ASSY HFI BRAZING
32	K9374575039	RECEIVER TANK ASSY HFI BRAZING
45	K9375710019	COMPRESSOR ASSY CL1 HFI# DA150A1F-20NA Replaces: K9315297037,K9374423187,K9315297044
A	K9372524015	STRAINER RAC+RLXS# C1220TS-H OD19.05 T1.0

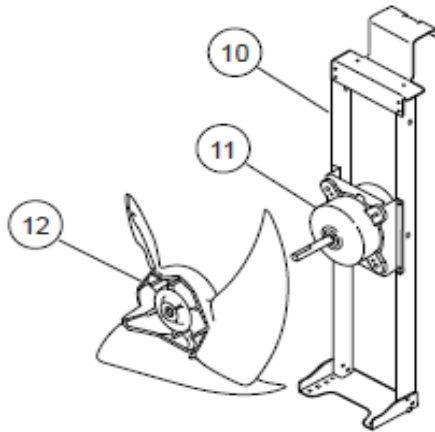
## AOU24RLXFZ - ELECTRICAL ASSY



Bubble #	Part #	Description
61	K9374603015	INVERTER BOX A RPAC+
62	K9374625048	INVERTER BOX B ASSY AOU24RLXFZ
63	K9375140014	INVERTER BOX C RPAC+ NA11SGCC-Z-CF-X Z22 T0.7
64	K9374609017	INVERTER BOX DUCT RPAC+ SGCC Z-C-X Z22 T0.7
65	K9375139018	INVERTER BOX COVER AOU24RML SGCC-Z-CF-X Z22 T0.6
66	K9375138011	HEAT SINK A NA11 410PAC+ A6063SMF T10
67	K9374606047	INVERTER BOX D AOU24RLXFZ SGCC-Z-CF-X Z22 T0.7
68	K9900203016	TERMINAL 3P 410PAC+ HP-T3061-3-3P
69	K9900016036	TERMINAL 6P 410PAC+ HP-T3036
70	K9306489045	TERMINAL 3P AUU**RML# HP-T3031-3-L1
71	K9900433017	TERMINAL 3P 410PAC+ HP-T4005-31
72	K9703457012	ACTPM 410i RPAC+HFI# SACT32010F1
73	K9705647183	POWER FILTER PCB 18/24HFI# K04BA-1001HUE-P0
74	K9708013367	INVERTER CONTROL PCB 24RLXFZ# K08BH-1003HUE-C1

75	K9900311018	HEATSINK THERMISTOR BLACK KTM-34I-F11-1
76	K9900156053	THERMISTOR COMPRESSOR HFI PTM-51G-AFG2-*2 GREEN THERMISTOR OUT RAC+HFI DTN-C103H4C-FTZ120B BLACK Replaces:
77	K9900477011	K9900378028
78	K9900540005	THERMISTOR HEAT EXCH PAC+HFI DTN-C492H3T-FTZ124B RED Replaces: K9900374020
79	K9704219039	THERMISTOR DISCHARGE HFI PTM-51G-F3-2 Replaces: K9900621018

## AOU24RLXFZ - FAN ASSY



Bubble #	Part #	Description
10	K9374418060	MOTOR BRACKET ASSY HFI# METAL
11	K9602843015	MOTOR DC BRUSHLESS RLXS HFI# MFE-60TVT FGA DC380V 100W 8P
12	K9366378020	PROPELLER FAN HFI# DW 440-L2BID 12