

Ductile Iron Check Valve

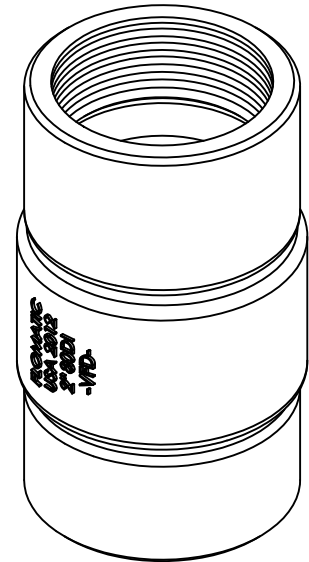
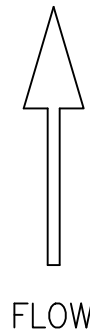
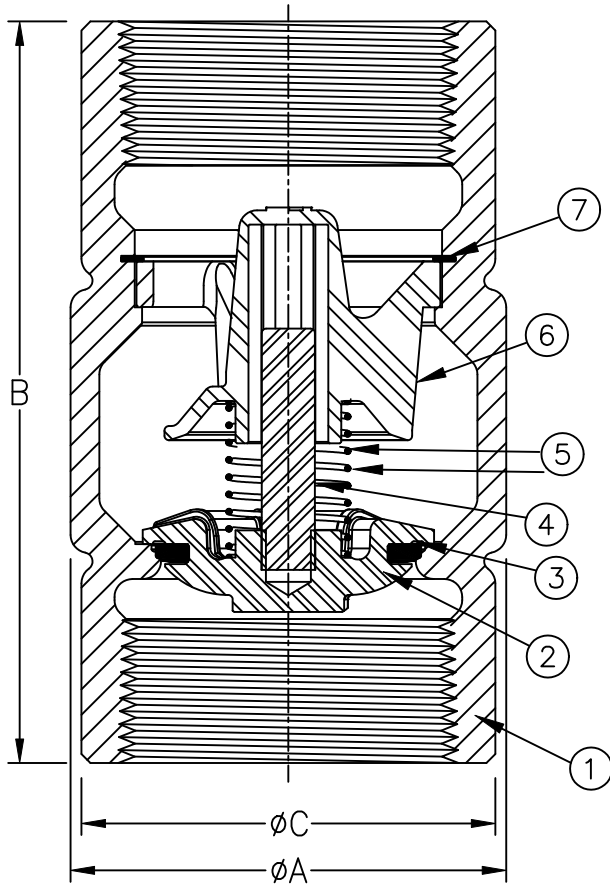
Model 80DI-VFD



Flomatic Corporation

Sizes 2" & 2-1/2" / 50mm & 65mm
FOR VERTICAL INSTALLATION ONLY

Materials



Max Temp 180°F (82°C)
Max Pressure 600psi (42bar)

Item #	Qty	Description	Material	ASTM
1	1	Body (Epoxy Coated)	Ductile Iron	65-45-12
2	1	Poppet	Stainless Steel	316
3	1	Seat Disc	Buna-N	N-5007
4	1	Stem	Stainless Steel	316
5	1	Spring	Stainless Steel	302
6	1	Stem Guide	Noryl	GFN2-780S
7	1	Retaining Ring	Stainless Steel	302

Dimensions (FNPT x FNPT)

Size		Part #	A		B		C		Weight	
Inch	mm		Inch	mm	Inch	mm	Inch	mm	lbs	kg
2	50	7937VFD	3	76	5-5/32	131	2-7/8	73	4	1.8
2-1/2	65	7936VFD	3-5/8	92	6-31/32	177	3-3/8	86	9	4.1

Flomatic Corporation can accept no responsibility for possible errors in catalogues, brochures and other printed material. Flomatic Corporation reserves the right to alter its products without notices. This also applies to product already agreed. All trademarks in this material are property of the respective companies. All right reserved. ©2016 Flomatic Corporation. The drawings & information on this drawing sheet are the sole & exclusive property of Flomatic Corporation. Any reproduction, distribution, display or use of these drawings or information in whole or in part without written authorization of Flomatic Corporation is strictly prohibited.



May 4, 2016
Dwg No: S7937VFD Rev: B (8/16)

FLOMATIC CORPORATION
GLENS FALLS, N.Y. 12801
PHONE (518) 761-9797
FAX (518) 761-9798