

# STERLING®

A KOHLER COMPANY

ADVANTAGE™

BATH

**61031110**

ALSO 61031120, 61031410, 61031420



MATERIAL STRENGTH.  
PROVEN PERFORMANCE...

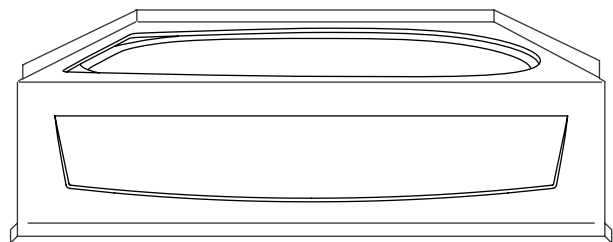
## Features

- Compression molded from our exclusive solid Vikrell® material
- Backrest molded into bath
- Durable swirl-gloss finish
- 17-1/4" (43.8 cm) bath depth (floor to top of threshold)
- 60-1/4" (153 cm) x 30-1/4" (76.8 cm) x 18-1/2" (47 cm) complete unit rough-in dimensions includes flange
- 60" (152.4 cm) x 29" (73.7 cm) x 17-1/4" (43.8 cm) complete unit finished dimensions

## Codes/Standards Applicable

Specified model meets or exceeds the following:

- ANSI Z124.1.2
- ASTM E162
- ASTM E662
- CSA B125



## Colors/Finishes

## Specified Model

Model	Description	Colors/Finishes	
61031110	Bath, left drain	<input type="checkbox"/> 0	<input type="checkbox"/> Other _____
61031120	Bath, right drain	<input type="checkbox"/> 0	<input type="checkbox"/> Other _____
61031410	Bath, left drain, 4 pack	<input type="checkbox"/> 0	<input type="checkbox"/> Other _____
61031420	Bath, right drain, 4 pack	<input type="checkbox"/> 0	<input type="checkbox"/> Other _____

# ADVANTAGE™

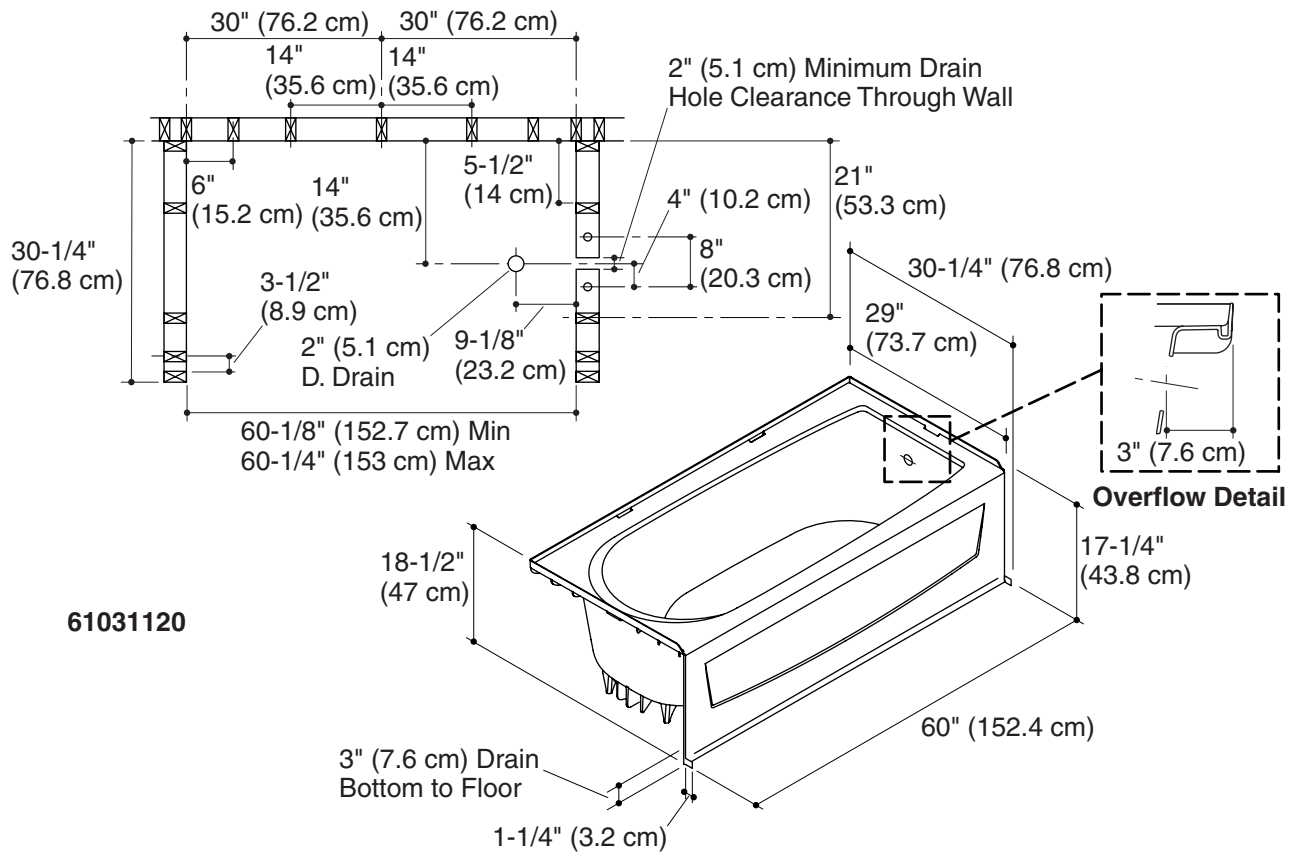
## Technical Information

Fixture*:	water depth	capacity
To overflow	10-1/4" (26 cm)	35 gal (132.5 L)
* Approximate measurements for comparison.		

Model	door maximum width	door maximum height
61031110 61031120 61031410 61031420	*60" (152.4 cm)	*NA
* Varies with alternative walls.		

## Installation Notes

Install this product according to the installation guide.



## Product Diagram