



XR3 Appliance Stub
XR3-APSTUB-XX

Gastite Division
1116 Vaughn Drive
Portland, TN. 37148
Telephone 800-662-0208
www.gastite.com

Description

FlashShield™ is metallically shielded corrugated stainless steel tubing system complying with ANSI LC 1 "Fuel Gas Piping Systems Using CSST" and listed with CSA®, ICC and IAPMO. The FlashShield system is also listed to protective jacket standards, ICC-ES PMG LC1024, and LC1027. All mechanical tube fittings are SAE CA360 brass incorporating double wall flare sealing. The Jacket-Lock™ and Metal locking features provide steel tubing protection and continuous conductivity.

Features:

- Fixed Point Termination with Female XR3 Fitting
- Approved for Concealed Use
- Tool-Less Flare Fitting Design
- Metal-to-Metal Seal
- Multi-Point Seal
- Self-Guiding Fitting Assembly
- Jacket-Lock™ Feature
- Metal Locking Feature
- Fully Reusable Fitting

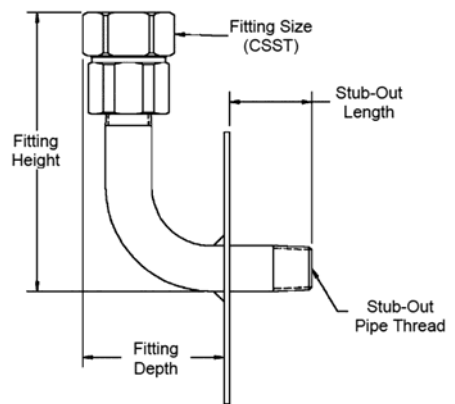
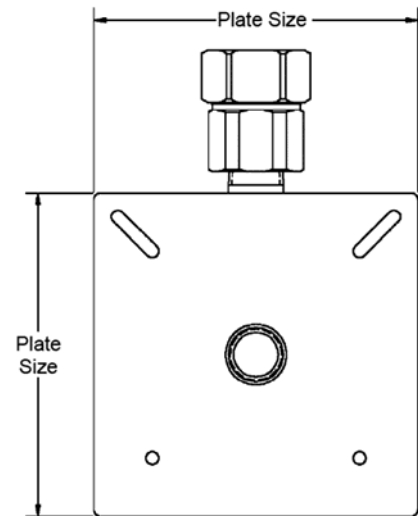
Applicable Standards & Listings:

- CSA: Certificate No. 2728525
- ICC-ES Report No. PMG 1066 and PMG 1155
- IAPMO: File No. C-3250 and Report No. 0239

Technical Data:

General

Max. Approved Operating Pressure	25 psi
Operating Temperature Range	-40°F to 160°F
Fitting Material	CA360
Stub-Out Material	Sch 40 Steel pipe E-Coat



Dimensional Characteristics

P/N	Stub-Out Length	Fitting Depth	Fitting Height	Stub-Out Pipe Thread	Fitting Size (CSST)	Plate Size	Assembly Torque (lubed, ft-lbs)	Weight (lbs)
XR3-APSTUB-8	1-1/2"	2-1/2"	5-1/4"	1/2"	1/2"	5"	35	1.49
XR3-L-APSTUB-8	2-1/4"	2-1/2"	6"	1/2"	1/2"	5"	35	1.55
XR3-APSTUB-11	1-1/2"	2-3/4"	5-1/4"	1/2"	3/4"	5"	45	1.91
XR3-L-APSTUB-11	2-1/4"	2-3/4"	6"	1/2"	3/4"	5"	45	1.97
XR3-APSTUB-11-11	1-1/2"	3-1/4"	6"	3/4"	3/4"	5"	45	2.14
XR3-L-APSTUB-11-11	2-1/4"	3-1/4"	6-7/8"	3/4"	3/4"	5"	45	2.20