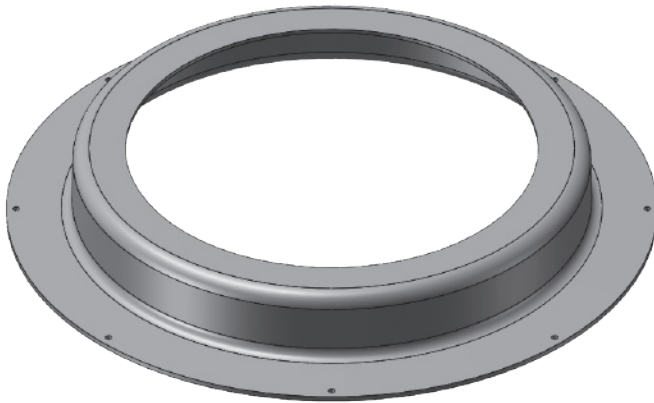


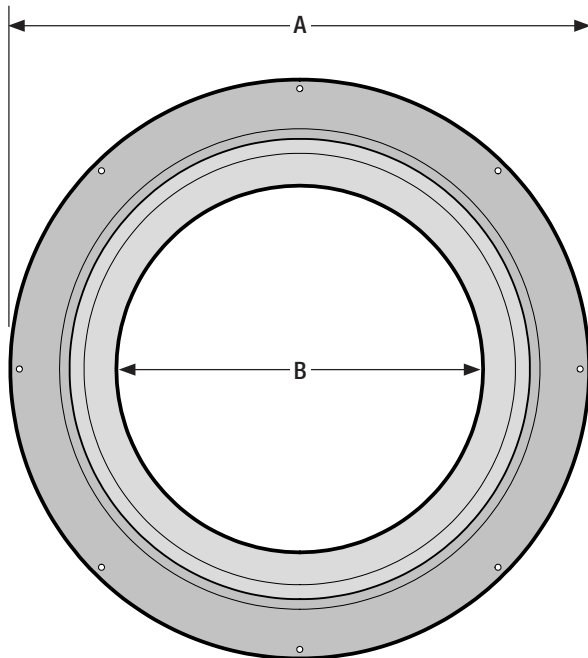
FRTA24-RVF Tank Adapters

Applications

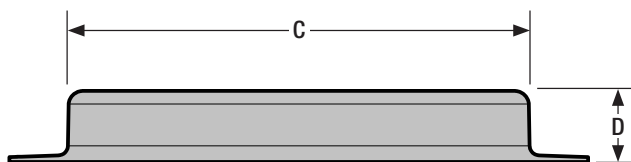
Orenco's FRTA24-RVF tank adapters are used to help create watertight joints between a Roth MultiTank® and a 24-inch (600-mm) access riser.



FRTA24-RVF



FRTA24-RVF, top dimensional view



FRTA24-RVF, side dimensional view

General

The FRTA24-RVF adapter provides a wide, fiberglass interface for installing an access riser with a 24-inch (600-mm) nominal diameter. It is designed to create a watertight seal between the tank, adapter, and riser when correctly installed. A bolt-down kit (FRTA24-RBDKIT) consisting of stainless steel bolts and butyl tape secures the adapter to the Roth MultiTank.

Standard Models

FRTA24-RVF, FRTA24-RBDKIT

Materials of Construction

| | |
|--------------|---------------------------------|
| Adapter | Fiberglass reinforced polyester |
| Anchor bolts | Stainless steel |
| Sealant tape | Butyl |

Specifications

| Dimension, in. (mm) | FRTA24-RVF |
|---------------------|--|
| A | 30 (762) |
| B | 19 (483) |
| C | 23 ¹⁵ / ₁₆ (608) |
| D | 3 ¹ / ₁₆ (94) |
| Bolt hole diameter | ⁵ / ₁₆ (8) |