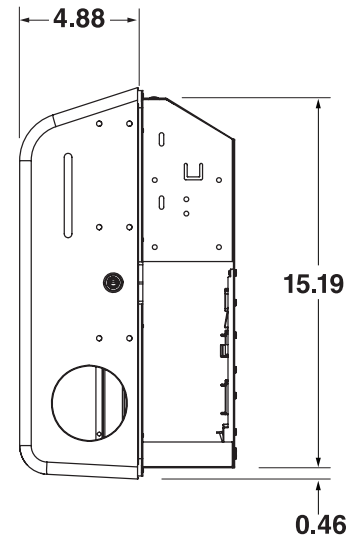
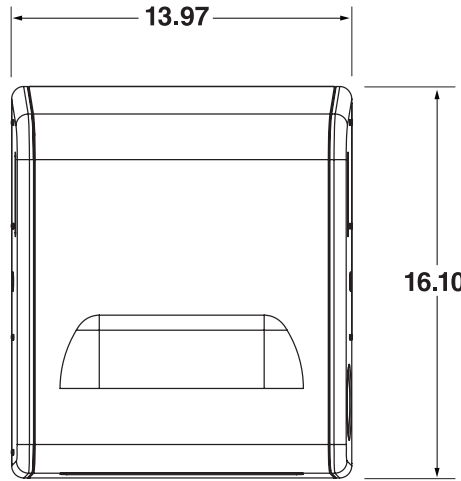
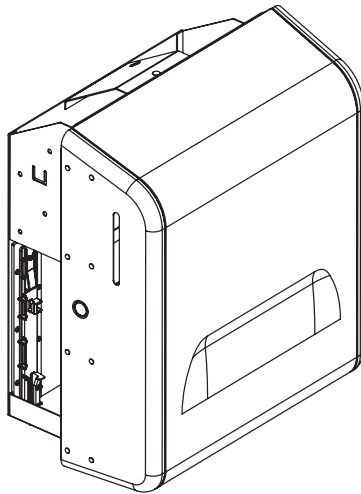


Rough Wall Opening:
 11¹/₈" Wide
 15³/₈" High
 4" Min. Depth



31501

MOD* TOUCHLESS HARD ROLL TOWEL RECESSED DISPENSER HOUSING, STAINLESS STEEL

Dispenser Housing is made from a 22 gauge brushed stainless steel. This MOD* Housing, when combined with one of our innovative internal dispensing modules (ordered separately), gives you the plug and play flexibility to build a complete customized stainless steel dispenser solution to meet your requirements. All three versions of our dispensing modules (M-Module, E-Module and NG-Module) will work in this housing. The housing and its respective module will dispense one 8" diameter roll of 700' or 1150' product plus stub roll utilizing core plug mounting.

Suggested mounting height 48" maximum from bottom of housing.

NOTE: Unless otherwise noted, suggested mounting height is the distance from the floor to the bottom of the dispenser.