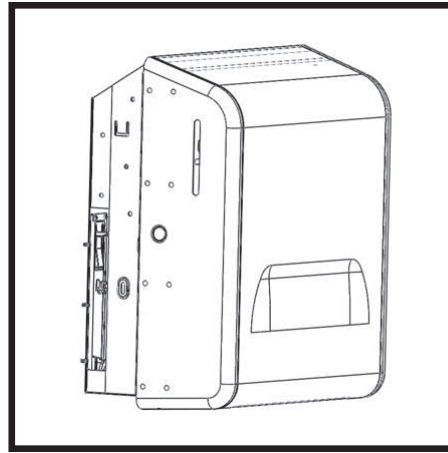
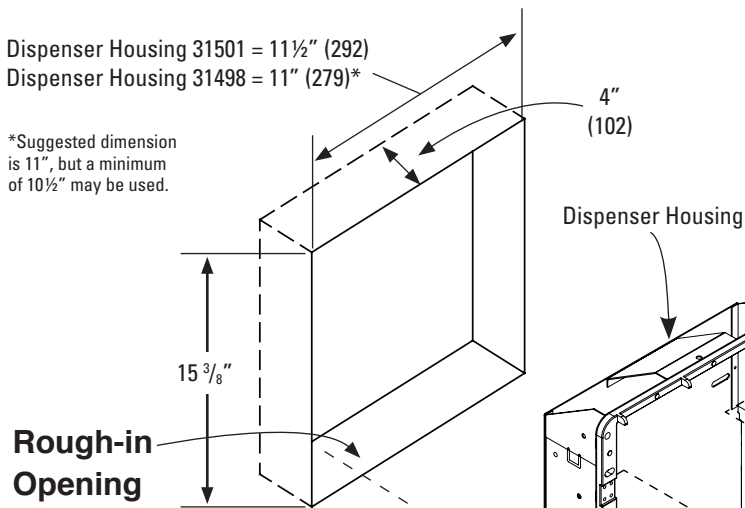


INSTALLATION GUIDE FOR THE KIMBERLY-CLARK CORP. 31498 + 31501 S.S. RECESSED DISPENSER HOUSINGS IN A WALL.



Dispenser Housing 31501 = 11½" (292)
Dispenser Housing 31498 = 11" (279)*

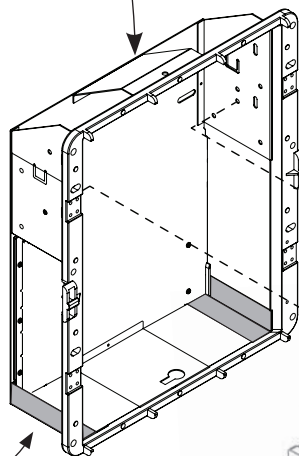
*Suggested dimension is 11", but a minimum of 10½" may be used.



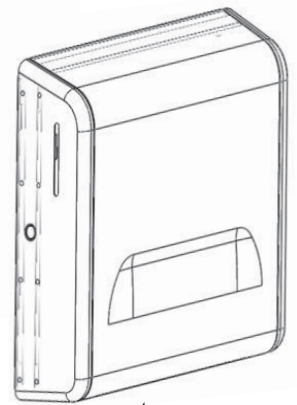
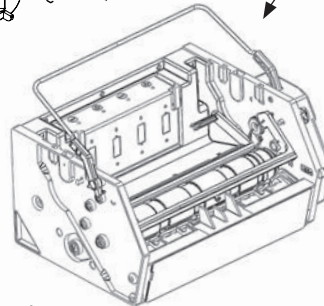
Use (2-4) Screws (not included) to mount dispenser housing into the rough-in opening.

If necessary, shim at anchor points to prevent distortion of unit.

No screws should be installed in areas that will contact the module. Such as the shaded gray area.

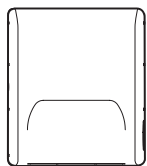


Dispenser Module



Dispenser Cover

The dispenser module is sold separately and is not included with this stainless steel housing. However, the dispenser module is required to complete the installation of the stainless steel housing.



Dim. "A"
to finished
floor

Dim. "A" Key Surface:	For Dim. "A"	Top of Rough Wall Opening	Bottom of Rough Wall Opening
Paper towel top of opening to finished floor	48" (1219)	63 3/4"	48 3/8"
	45" (1143)	60 3/4"	45 3/8"
	42" (1067)	57 3/4"	42 3/8"
	40" (1016)	55 3/4"	40 3/8"