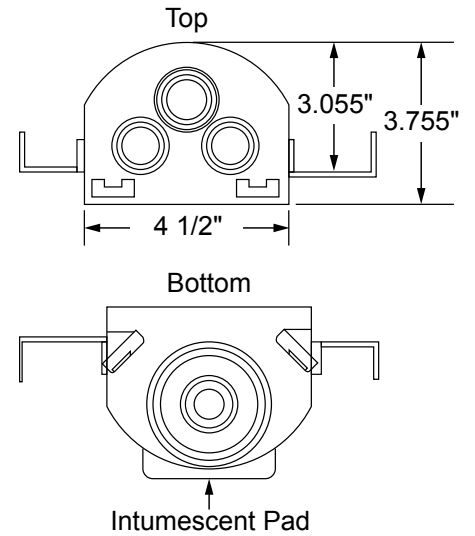
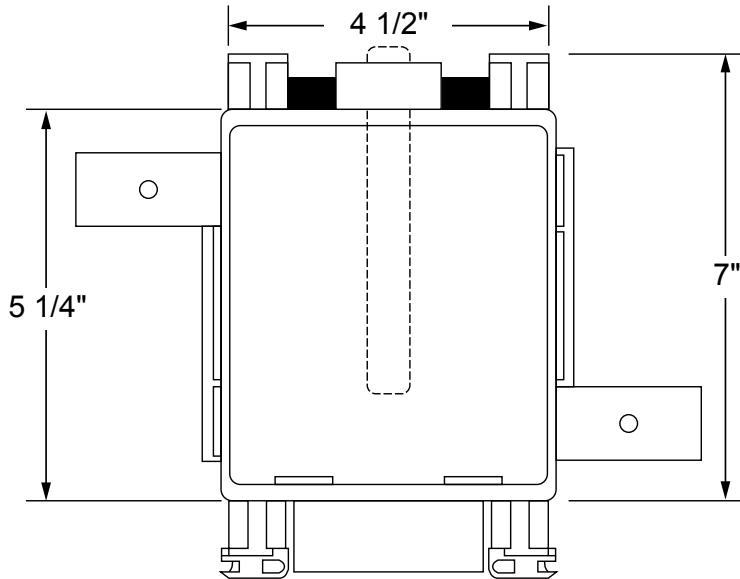




FR MultiBox™ Two-Box Washing Machine Outlet Box System with Quarter Turn Arrester Valves



Specifications:

Furnish and install MultiBox Auxiliary Drain Outlet Box for overhead drainage. Unit shall be Water-Tite product code checked below, as manufactured by IPS Corporation.

Box Material:

PVC

Available Accessories:

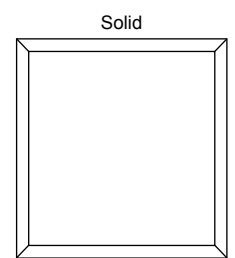
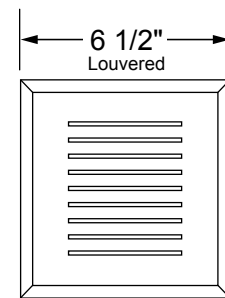
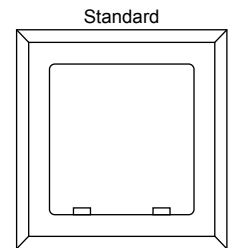
- 3 Universal Faceplates: Open, Solid and Louvered
- Water Softener Drain
- Condensate Drain
- Stabilizer Bar

Certifications:
Box

Boxes have been certified with the following ratings: ASTM E814, 1 Hr (F), 41 Min (T) and 2 Hr (F), 101 Min (T)
CAN/ULC-S115-1 Hr (F/FH), 41 Min (FT/FTH) and 2 Hr (F/FH), 101 Min (FT/FTH)



Intertek
Control No. 5007032



Item #	Product Description	Model #	Quantity
83068	FR MultiBox Aux Drain Box Only, Open Faceplate	MBFRS1200DB1	10
83086	FR MultiBox Aux Drain Box Only, Solid Faceplate	MBFRS1200DB2	10
83087	FR MultiBox Aux Drain Box Only, Louvered Faceplate	MBFRS1200DB3	10
Faceplates Only			
82945	MultiBox Faceplate Open	MBF1200	10
82946	MultiBox Faceplate Solid	MBF1211	10
82947	MultiBox Faceplate Louvered	MBF1222	10
83333	MultiBox Faceplate Kit (one of each faceplate style)	MBF1200K	4