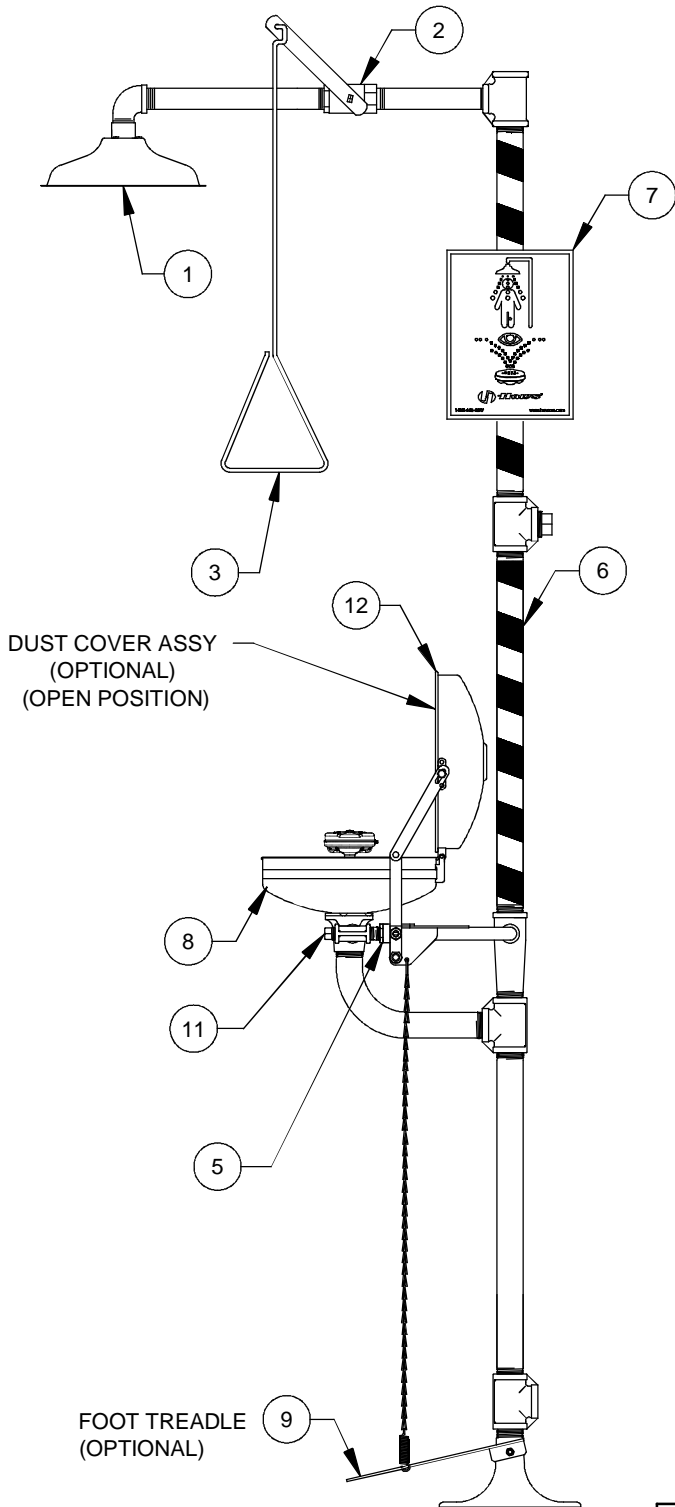


THIS DOCUMENT IS TRUE AND CORRECT AT TIME OF PUBLICATION. CONTINUED PRODUCT IMPROVEMENTS MAKE SPECIFICATIONS AND MEASUREMENTS SUBJECT TO CHANGE WITHOUT NOTICE.

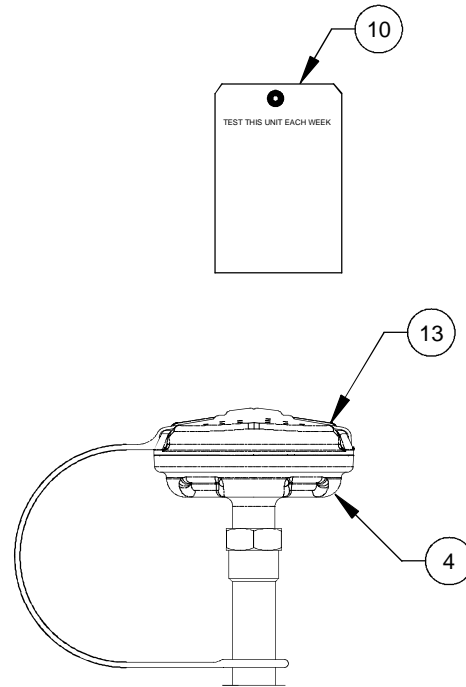
PARTS BREAKDOWN

ITEM	DESCRIPTION	PART NO.
1	SHOWER HEAD	SP829SS
2	VALVE ASSEMBLY	SP265
3	PULL ROD	SP200
4	EYE/FACE WASH HEAD	SP65SS
5	VALVE ASSEMBLY	SP228
6	STRIPE TAPE	SP185
7	SHOWER SIGN	SP178
8	BOWL	SP90
9	FOOT TREADLE	SP220SS
10	TEST TAG	SP170
11	L-STRAINER	SP509SS
12	SS DUST COVER ASSEMBLY	9102
13	E/F WASH DUST COVER	9091



OPTIONAL

OPTIONAL



SP65SS EYE/FACE WASH ASSEMBLY

WHEN ORDERING PARTS PLEASE SPECIFY MODEL NUMBER.

 Haws [®]			1455 KLEPPE LANE SPARKS, NEVADA 89431 (775) 359-4712 FAX (775) 359-7424 E-MAIL: HAWS@HAWS.CO.COM WEBSITE: WWW.HAWS.CO.COM	
			ECN NO. REVISED PER BY ECN: 5082 VWC	MODEL(S) 8330 SS SHOWER EYE/FACE WASH
DRAWN C.J.L. APPROVED F.V.	DATE 05/91 DATE 05/26/16	CHKD O.Y.V.	SCALE: 1/6 DRAWING TYPE: PARTS BREAKDOWN	SIZE: A SHEET 1 OF 1