



WE Series Model 3885

SUBMERSIBLE EFFLUENT PUMPS



FEATURES

Impeller: Cast iron, semi-open, non-clog with pump-out vanes for mechanical seal protection. Balanced for smooth operation. Silicon bronze impeller available as an option.

Casing: Cast iron volute type for maximum efficiency. 2" NPT discharge.

Mechanical Seal: Silicon Carbide vs. Silicon Carbide sealing faces. Stainless steel metal parts, BUNA-N elastomers.

Shaft: Corrosion-resistant, stainless steel. Threaded design. Locknut on all models to guard against component damage on accidental reverse rotation.

Fasteners: 300 series stainless steel.

Capable of running dry without damage to components.

Designed for continuous operation when fully submerged.

EXTENDED WARRANTY AVAILABLE FOR RESIDENTIAL APPLICATIONS.

APPLICATIONS

Specifically designed for the following uses:

- Homes, Farms, Trailer Courts, Motels, Schools, Hospitals, Industry, Effluent Systems

SPECIFICATIONS

Pump

- Solids handling capabilities: ¾" maximum
- Discharge size: 2" NPT
- Capacities: up to 140 GPM
- Total heads: up to 128 feet TDH
- Temperature: 104°F (40°C) continuous, 140°F (60°C) intermittent.
- See order numbers on reverse side for specific HP, voltage, phase and RPM's available.

MOTORS

- Fully submerged in high-grade turbine oil for lubrication and efficient heat transfer.
- Class B insulation on ⅓ - 1½ HP models.
- Class F insulation on 2 HP models.

Single phase (60 Hz):

- Capacitor start motors for maximum starting torque.
- Built-in overload with automatic reset.

- SJTOW or STOW severe duty oil and water resistant power cords.
- ⅓ - 1 HP models have NEMA three prong grounding plugs.
- 1½ HP and larger units have bare lead cord ends.

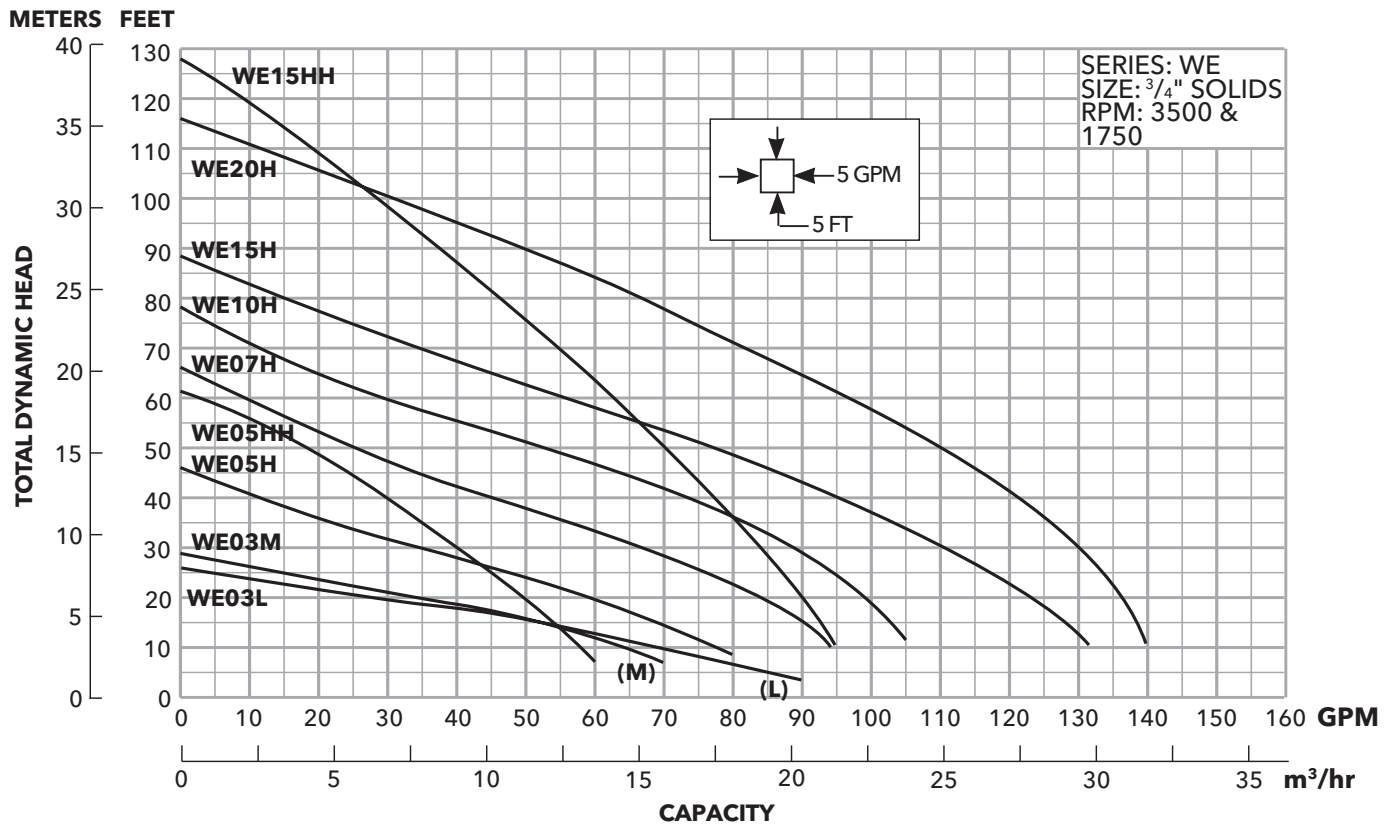
Three phase (60 Hz):

- Class 10 overload protection must be provided in separately ordered starter unit.
- STOW power cords all have bare lead cord ends.
- Designed for Continuous Operation: Pump ratings are within the motor manufacturer's recommended working limits, can be operated continuously without damage when fully submerged.
- Bearings: Upper and lower heavy duty ball bearing construction.
- Power Cable: Severe duty rated, oil and water resistant. Epoxy seal on motor end provides secondary moisture barrier in case of outer jacket damage and to prevent oil wicking. Standard cord is 20'. Optional lengths are available.
- O-ring: Assures positive sealing against contaminants and oil leakage.

AGENCY LISTINGS

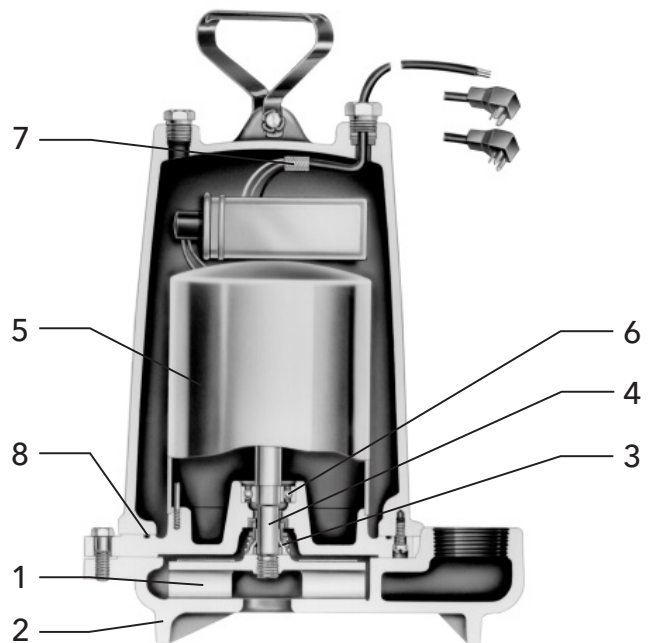


Tested to UL 778 and CSA 22.2 108 Standards
By Canadian Standards Association File #LR38549



COMPONENTS

| Item No. | Description |
|----------|-----------------|
| 1 | Impeller |
| 2 | Casing |
| 3 | Mechanical Seal |
| 4 | Motor Shaft |
| 5 | Motor |
| 6 | Ball Bearings |
| 7 | Power Cable |
| 8 | Casing O-Ring |



MODELS

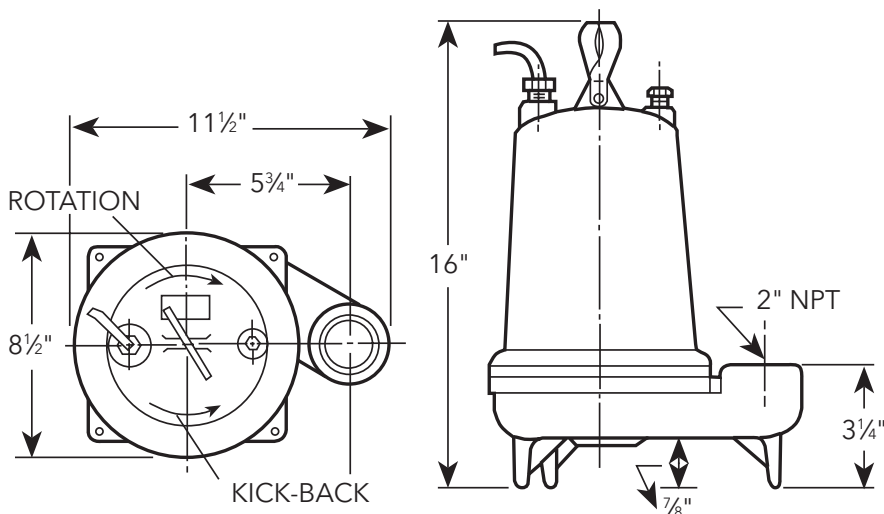
| Order Number | HP | Phase | Volts | RPM | Impeller Diameter (in.) | Maximum Amps | Locked Rotor Amps | KVA Code | Full Load Efficiency % | Resistance | | Power Cable Size | Weight (lbs.) | | | | |
|--------------|------|-------|-------|------|-------------------------|--------------|-------------------|----------|------------------------|------------|-----------|------------------|---------------|------|------|------|----|
| | | | | | | | | | | Start | Line-Line | | | | | | |
| WE0311L | 0.33 | 1 | 115 | 1750 | 5.38 | 10.7 | 30.0 | M | 54 | 11.9 | 1.7 | 16/3 | 56 | | | | |
| WE0318L | | | 208 | | | 6.8 | 19.5 | K | 51 | 9.1 | 4.2 | | | | | | |
| WE0312L | | | 230 | | | 4.9 | 14.1 | L | 53 | 14.5 | 8.0 | | | | | | |
| WE0311M | | | 115 | | | 10.7 | 30.0 | M | 54 | 11.9 | 1.7 | | | | | | |
| WE0318M | | | 208 | | | 6.8 | 19.5 | K | 51 | 9.1 | 4.2 | | | | | | |
| WE0312M | | | 230 | | | 4.9 | 14.1 | L | 53 | 14.5 | 8.0 | | | | | | |
| WE0511H | 0.5 | 1 | 115 | 3450 | 3.56 | 14.5 | 46.0 | M | 54 | 7.5 | 1.0 | 14/3 | 60 | | | | |
| WE0518H | | | 208 | | | 8.1 | 31.0 | K | 68 | 9.7 | 2.4 | 16/3 | | | | | |
| WE0512H | | | 230 | | | 7.3 | 34.5 | M | 53 | 9.6 | 4.0 | 14/4 | | | | | |
| WE0538H | | | 3 | | | 200 | 4.9 | 22.6 | R | 68 | NA | | | 3.8 | | | |
| WE0532H | | | | | | 230 | 3.3 | 18.8 | R | 70 | NA | | | 5.8 | | | |
| WE0534H | | | | | | 460 | 1.7 | 9.4 | R | 70 | NA | 23.2 | | | | | |
| WE0537H | | 575 | 1.4 | | 7.5 | R | 62 | NA | 35.3 | 14/3 | | | | | | | |
| WE0511HH | | 1 | 115 | | 3.88 | 14.5 | 46.0 | M | 54 | | 7.5 | 1.0 | | | | | |
| WE0518HH | | | 208 | | | 8.1 | 31.0 | K | 68 | | 9.7 | 2.4 | | 16/3 | | | |
| WE0512HH | | | 230 | | | 7.3 | 34.5 | M | 53 | | 9.6 | 4.0 | | 14/4 | | | |
| WE0538HH | | 3 | 200 | | | 4.9 | 22.6 | R | 68 | | NA | 3.8 | | | | | |
| WE0532HH | | | 230 | | | 3.6 | 18.8 | R | 70 | | NA | 5.8 | | | | | |
| WE0534HH | | | 460 | | | 1.8 | 9.4 | R | 70 | NA | 23.2 | 14/4 | | | | | |
| WE0537HH | | 575 | 1.5 | | 7.5 | R | 62 | NA | 35.3 | | | | | | | | |
| WE0718H | | 0.75 | 1 | | 208 | 4.06 | 4.06 | 11.0 | 31.0 | K | 68 | | | 9.7 | 2.4 | 14/3 | 70 |
| WE0712H | | | | | 230 | | | 10.0 | 27.5 | J | 65 | 12.2 | | 2.7 | 14/4 | | |
| WE0738H | | | 3 | | 200 | | | 6.2 | 20.6 | L | 64 | NA | | 5.7 | | | |
| WE0732H | | | | | 230 | | | 5.4 | 15.7 | K | 68 | NA | | 8.6 | | | |
| WE0734H | 460 | | | 2.7 | 7.9 | | | K | 68 | NA | 34.2 | | | | | | |
| WE0737H | 575 | | | 2.2 | 9.9 | | | L | 78 | NA | 26.5 | | | | | | |
| WE1018H | 1 | 1 | 208 | 4.44 | 4.44 | 14.0 | 59.0 | K | 68 | 9.3 | 1.1 | 14/3 | 80 | | | | |
| WE1012H | | | 230 | | | 12.5 | 36.2 | J | 69 | 10.3 | 2.1 | 14/4 | | | | | |
| WE1038H | | 3 | 200 | | | 8.1 | 37.6 | M | 77 | NA | 2.7 | | | | | | |
| WE1032H | | | 230 | | | 7.0 | 24.1 | L | 79 | NA | 4.1 | | | | | | |
| WE1034H | | | 460 | | | 3.5 | 12.1 | L | 79 | NA | 16.2 | | | | | | |
| WE1037H | | | 575 | | | 2.8 | 9.9 | L | 78 | NA | 26.5 | | | | | | |
| WE1518H | 1.5 | 1 | 208 | 4.56 | 4.56 | 17.5 | 59.0 | K | 68 | 9.3 | 1.1 | 14/3 | 80 | | | | |
| WE1512H | | | 230 | | | 15.7 | 50.0 | H | 68 | 11.3 | 1.6 | 14/4 | | | | | |
| WE1538H | | 3 | 200 | | | 10.6 | 40.6 | K | 79 | NA | 1.9 | | | | | | |
| WE1532H | | | 230 | | | 9.2 | 31.7 | K | 78 | NA | 2.9 | | | | | | |
| WE1534H | | | 460 | | | 4.6 | 15.9 | K | 78 | NA | 11.4 | | | | | | |
| WE1537H | | | 575 | | | 3.7 | 13.1 | K | 75 | NA | 16.9 | | | | | | |
| WE1518HH | | 1 | 1 | | | 208 | 5.50 | 5.50 | 17.5 | 59.0 | K | 68 | | 9.3 | 1.1 | 14/3 | 80 |
| WE1512HH | | | | | | 230 | | | 15.7 | 50.0 | H | 68 | | 11.3 | 1.6 | 14/4 | |
| WE1538HH | | | 3 | | | 200 | | | 10.6 | 40.6 | K | 79 | | NA | 1.9 | | |
| WE1532HH | | | | | | 230 | | | 9.2 | 31.7 | K | 78 | | NA | 2.9 | | |
| WE1534HH | | | | | | 460 | | | 4.6 | 15.9 | K | 78 | | NA | 11.4 | | |
| WE1537HH | | | | | | 575 | | | 3.7 | 13.1 | K | 75 | | NA | 16.9 | | |
| WE2012H | 2 | 1 | 230 | 5.38 | 5.38 | 18.0 | 49.6 | F | 78 | 3.2 | 1.2 | 14/3 | 83 | | | | |
| WE2038H | | | 3 | | | 200 | 12.0 | 42.4 | K | 78 | NA | 1.7 | | | | | |
| WE2032H | | 230 | | | | 11.6 | 42.4 | K | 78 | NA | 1.7 | | | | | | |
| WE2034H | | 460 | | | | 5.8 | 21.2 | K | 78 | NA | 6.6 | | | | | | |
| WE2037H | | 575 | | | | 4.7 | 16.3 | L | 78 | NA | 10.5 | | | | | | |

PERFORMANCE RATINGS (gallons per minute)

| Order No. | WE-03L | WE-03M | WE-05H | WE-07H | WE-10H | WE-15H | WE05HH | WE15HH | WE-20H |
|---------------------------------|--------|--------|--------|--------|--------|--------|--------|--------|--------|
| HP | 1/3 | 1/3 | 1/2 | 3/4 | 1 | 1 1/2 | 1/2 | 1 1/2 | 2 |
| RPM | 1750 | 1750 | 3500 | 3500 | 3500 | 3500 | 3500 | 3500 | 3500 |
| Total Head Feet of Water | 5 | 86 | - | - | - | - | - | - | - |
| | 10 | 70 | 63 | 78 | 94 | - | - | 58 | 95 |
| | 15 | 52 | 52 | 70 | 90 | 103 | 128 | 53 | 93 |
| | 20 | 27 | 35 | 60 | 83 | 98 | 123 | 49 | 90 |
| | 25 | 5 | 15 | 48 | 76 | 94 | 117 | 45 | 87 |
| | 30 | - | - | 35 | 67 | 88 | 110 | 40 | 83 |
| | 35 | - | - | 22 | 57 | 82 | 103 | 35 | 80 |
| | 40 | - | - | - | 45 | 74 | 95 | 30 | 77 |
| | 45 | - | - | - | 35 | 64 | 86 | 25 | 74 |
| | 50 | - | - | - | 25 | 53 | 77 | - | 70 |
| | 55 | - | - | - | - | 40 | 67 | - | 66 |
| | 60 | - | - | - | - | 30 | 56 | - | 63 |
| | 65 | - | - | - | - | 20 | 45 | - | 58 |
| | 70 | - | - | - | - | - | 35 | - | 55 |
| | 75 | - | - | - | - | - | 25 | - | 51 |
| | 80 | - | - | - | - | - | - | - | 47 |
| | 90 | - | - | - | - | - | - | - | 37 |
| 100 | - | - | - | - | - | - | - | 28 | |

DIMENSIONS

(All dimensions are in inches. Do not use for construction purposes.)



STANDARD PANEL OPTIONS

| Pump Order Number | K Series | | Boulay Series | |
|-------------------|-----------|-----------|---------------|--------|
| | Simplex | Duplex | Simplex | Duplex |
| WE0311L | KS19020WF | KD19020WF | S10020 | D10020 |
| WE0318L | KS19020WF | KD19020WF | S10020 | D10020 |
| WE0312L | KS19020WF | KD19020WF | S10020 | D10020 |
| WE0311M | KS19020WF | KD19020WF | S10020 | D10020 |
| WE0318M | KS19020WF | KD19020WF | S10020 | D10020 |
| WE0312M | KS19020WF | KD19020WF | S10020 | D10020 |
| WE0511H | KS19020WF | KD19020WF | S10020 | D10020 |
| WE0518H | KS19020WF | KD19020WF | S10020 | D10020 |
| WE0512H | KS19020WF | KD19020WF | S10020 | D10020 |
| WE0538H | KS31255WF | KD31255WF | S34063 | D34063 |
| WE0532H | KS31255WF | KD31255WF | S32540 | D32540 |
| WE0534H | KS31255WF | KD31255WF | S31625 | D31625 |
| WE0537H | N/A | N/A | S31625 | D31625 |
| WE0511HH | KS19020WF | KD19020WF | S10020 | D10020 |
| WE0518HH | KS19020WF | KD19020WF | S10020 | D10020 |
| WE0512HH | KS19020WF | KD19020WF | S10020 | D10020 |
| WE0538HH | KS31255WF | KD31255WF | S34063 | D34063 |
| WE0532HH | KS31255WF | KD31255WF | S32540 | D32540 |
| WE0534HH | KS31255WF | KD31255WF | S31625 | D31625 |
| WE0537HH | N/A | N/A | S31625 | D31625 |
| WE0718H | KS19020WF | KD19020WF | S10020 | D10020 |
| WE0712H | KS19020WF | KD19020WF | S10020 | D10020 |
| WE0738H | KS34518WF | KD34518WF | S36310 | D36310 |
| WE0732H | KS34518WF | KD34518WF | S34063 | D34063 |
| WE0734H | KS31255WF | KD31255WF | S32540 | D32540 |
| WE0737H | N/A | N/A | S31625 | D31625 |
| WE1018H | KS19020WF | KD19020WF | S10020 | D10020 |
| WE1012H | KS19020WF | KD19020WF | S10020 | D10020 |
| WE1038H | KS34518WF | KD34518WF | S36310 | D36310 |
| WE1032H | KS34518WF | KD34518WF | S36310 | D36310 |
| WE1034H | KS34518WF | KD34518WF | S32540 | D32540 |
| WE1037H | N/A | N/A | S32540 | D32540 |
| WE1518H | KS19020WF | KD19020WF | S10020 | D10020 |
| WE1512H | KS19020WF | KD19020WF | S10020 | D10020 |
| WE1538H | KS34518WF | KD34518WF | S31016 | D31016 |
| WE1532H | KS34518WF | KD34518WF | S36310 | D36310 |
| WE1534H | KS34518WF | KD34518WF | S34063 | D34063 |
| WE1537H | N/A | N/A | S32540 | D32540 |
| WE1518HH | KS19020WF | KD19020WF | S10020 | D10020 |
| WE1512HH | KS19020WF | KD19020WF | S10020 | D10020 |
| WE1538HH | KS34518WF | KD34518WF | S31016 | D31016 |
| WE1532HH | KS34518WF | KD34518WF | S36310 | D36310 |
| WE1534HH | KS34518WF | KD34518WF | S34063 | D34063 |
| WE1537HH | N/A | N/A | S32540 | D32540 |
| WE2012H | KS19020WF | KD19020WF | S10020 | D10020 |
| WE2038H | KS34518WF | KD34518WF | S31016 | D31016 |
| WE2032H | KS34518WF | KD34518WF | S31016 | D31016 |
| WE2034H | KS34518WF | KD34518WF | S34063 | D34063 |
| WE2037H | N/A | N/A | S34063 | D34063 |

Note: Boulay Series part numbers have additional available features, see page 7 for more information.

Note: K Series panel part numbers include floats, to order without float switches, remove the 'WF' suffix. Boulay Series panels do not include float switches.



K-SERIES

- NEMA 4X dead front outdoor rated enclosure
- Red LED alarm beacon
- HOA selector switch
- Field wiring terminal block
- Single phase models handle 120, 208 and 230V service
- Three phase models handle 200, 230 and 460V service
- Requires separate control/alarm power feed
- See brochure "BCPKSDPANELS" for additional information

BOULAY SERIES

- NEMA 4X outdoor rated enclosure
- Red alarm beacon
- HOA selector switch
- Through door pump run light(s)
- Through door alarm test and horn silence button
- Single phase models handle 120, 208 and 230V service
- Three phase models handle 200, 230, 460 and 575V service
- Accepts single or dual power feed
- See brochure "BCP3 R11" for additional information on simplex models
- See brochure "BCP4 R14" for additional information on duplex models

Xylem |'zīləm|

- 1) The tissue in plants that brings water upward from the roots;
- 2) a leading global water technology company.

We're a global team unified in a common purpose: creating advanced technology solutions to the world's water challenges. Developing new technologies that will improve the way water is used, conserved, and re-used in the future is central to our work. Our products and services move, treat, analyze, monitor and return water to the environment, in public utility, industrial, residential and commercial building services settings. Xylem also provides a leading portfolio of smart metering, network technologies and advanced analytics solutions for water, electric and gas utilities. In more than 150 countries, we have strong, long-standing relationships with customers who know us for our powerful combination of leading product brands and applications expertise with a strong focus on developing comprehensive, sustainable solutions.

For more information on how Xylem can help you, go to www.xylem.com



Xylem Inc.
2881 East Bayard Street Ext., Suite A
Seneca Falls, NY 13148
Phone: (866) 325-4210
Fax: (888) 322-5877
www.xylem.com/goulds

Goulds is a registered trademark of Goulds Pumps, Inc. and is used under license.
© 2019 Xylem Inc. B3885 R3 June 2019