

# BB2 Series 1/4" - 2"

BB2-350 Solder  
BB2-100 Threaded



Bronze Butterball Butterfly Valve

175 psig WOG

CSA (AGA/CGA) & UL Rating (1) (\*)

Vacuum to 29" (Except 1/4" & 3/8" Threaded End)

Specification: WW-V-1967

## MATERIALS LIST

ITEM	PART	MATERIALS	ASTM SPEC.
1	BODY	BRONZE	ASTM B584
2	DISC	STAINLESS STEEL	TYPE 304
3	STEM	STAINLESS STEEL	TYPE 303
4	HEX NUT	STAINLESS STEEL	TYPE 302
5	GLAND	ROD BRONZE	CA-360
6	PACKING	NYLON	
7	HANDLE	STEEL W/ZINC PLATING	
8	FLAT GRIP	VINYL	
9	DISC SEAT	VITON	
10	TAILPIECE	3/8" - 3/4" BRASS ROD	ASTM B16
		1" - 2" BRONZE	ASTM B584

## FEATURES

- Full Port Design
- Full Flow, High Cv
- One Piece Bronze Body\*
- Stainless Steel Stem and Disc
- Viton Seal
- Excellent throttling characteristics<sup>(3)</sup>
- Requires no system pressure to seal
- 30°F to 275°F Temperature Range

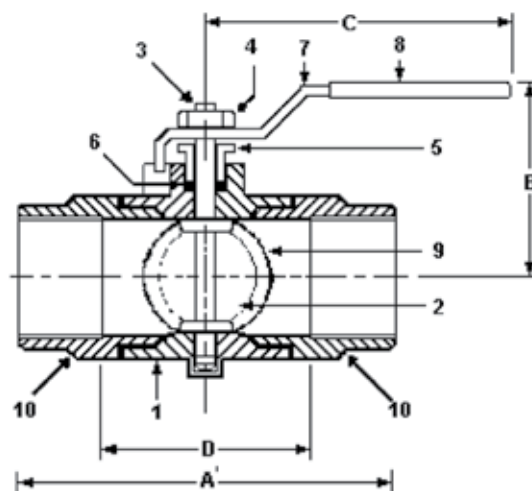
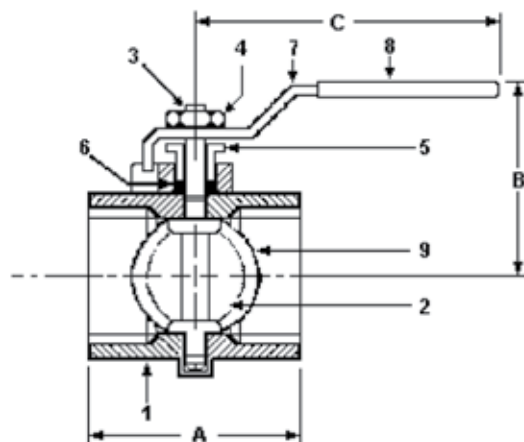
## APPLICATIONS

- Natural Gas Shut-off\*  
(1/2" psi and 5 psi)
- LP Gas Shut-off\*
- Gas and Air Systems
- Fuel Oil (Types 1-6)\*
- Oil Systems\*
- Liquid Service including water<sup>(2)</sup>
- Throttling, Balancing & Shut-off<sup>(3)</sup>
- Vacuum Service

\* Applies to BB2-100 Series Threaded End only

<sup>(2)</sup> Do not use on hot water over 120° F

<sup>(3)</sup> Do not throttle or leave in the near closed position as seal damage may result.



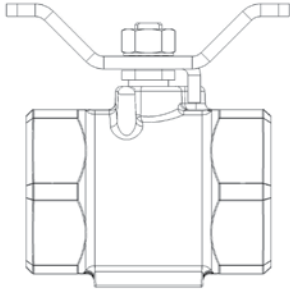
## DIMENSIONS

	VALVE SIZE								
	INCHES	1/4"	3/8"	1/2"	3/4"	1"	1-1/4"	1-1/2"	2"
A (Body)	DN	6	10	15	20	25	32	40	50
	INCHES	2.25	2.34	1.88	2.00	2.13	2.63	2.88	3.25
A <sup>1</sup>	INCHES	N/A	2.38	2.50	3.13	3.63	4.38	4.88	5.63
	mm		60	63	79	92	111	123	142
B	INCHES	1.50	1.50	1.50	1.56	1.75	2.19	2.31	3.63
	mm	38	38	38	39	44	55	58	92
C	INCHES	3.50	3.50	3.50	3.50	3.50	5.00	5.00	5.00
	mm	89	89	89	89	89	127	127	127
D	INCHES	N/A	1.63	1.50	1.63	1.81	2.44	2.69	2.94
	mm		41	38	41	46	62	68	74
Cv			10	13	25	43	85	112	180
Tourque	in/lb	18	18	18	22	35	50	70	120
Weight (lbs)	BB2-100	0.60	0.60	0.50	0.70	0.80	1.00	1.50	3.00
	BB2-350	N/A	0.50	0.50	0.60	1.00	1.60	2.00	3.70

The information presented on this sheet is correct at time of publication. Milwaukee Valve reserves the right to change design and/or materials without notice. For our Installation, Operation and Maintenance Manual and the most current product information go to [www.milwaukeevalve.com](http://www.milwaukeevalve.com).

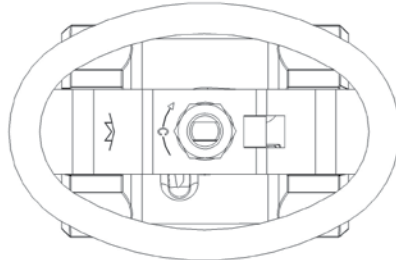
⚠ State of California Prop 65 **WARNING:** Cancer and Reproductive Harm. For more information visit [www.p65warnings.ca.gov](http://www.p65warnings.ca.gov).





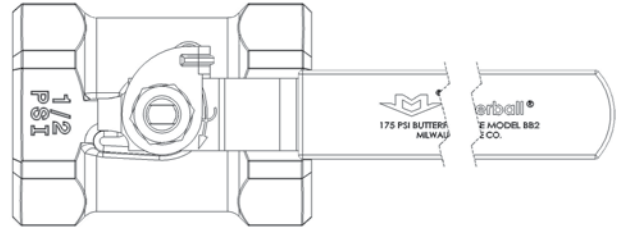
### Tee Handle Option

To Order Tee Handle,  
Add suffix "T" to Number.  
(E.g. BB2-100T)



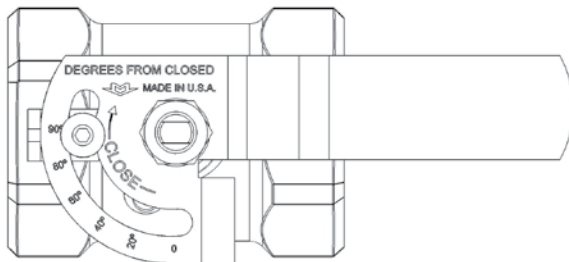
### Oval Handle Option

To Order Oval Handle,  
Add suffix "R" to Number.  
(E.g. BB2-100R)



### Memory Stop Option

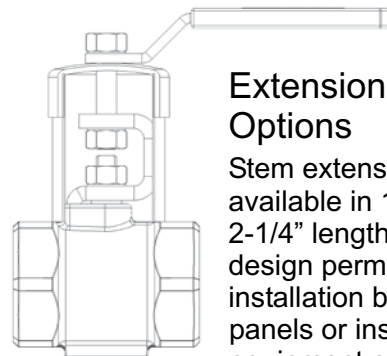
To Order Memory Stop Option,  
Use this Model Number, BB2-102



### Calibrated Memory Stop Handle Option

This Flow Set Handle Provides a  
visual 90 X Scale to Position  
the Memory Stop.

Order using Model Number BB2FS100.



### Extension Stem Options

Stem extensions are  
available in 1-1/4" &  
2-1/4" lengths. The  
design permits valve  
installation behind  
panels or inside  
equipment enclosures.

1-1/4" Extension, Order BB2-103

2-1/4" Extension, Order BB2-104

**NOTE:** Some Accessories Can be  
Combined for Added Versatility.  
Consult Factory.