

GENERAL PURPOSE FLOOR SINK/DRAIN

864 series

SPECIFICATION

Sioux Chief 864 Series floor drain shall be used where necessary in drainage systems. Strainer shall be heel-proof and meet all load requirements for intended use. Clamping collar/strainer ring shall fasten to drain body with four screws that thread into brass inserts. Drain shall have a Sch. 40 hub connection which conforms to ASTM D2665 or D2661. Drain shall be designed with a Slab-Grab™ concrete flange for solid installations and trap primer port. Connection to DWV system shall be made with a solvent weld joint to ABS/PVC pipe.

MATERIALS

strainer: ABS
 collar/ring: ABS
 drain body: ABS or PVC

STRAINER LOAD RATING

2,000 lbs. (light duty, pedestrian traffic)

STRAINER FREE-AREA

16.91 in²

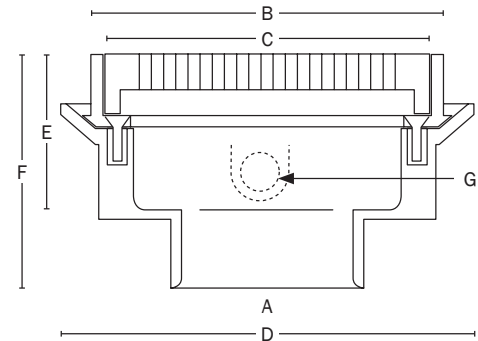
DIMENSIONS

A: connection	2", 3", 4" Sch. 40 hub
B: collar/ring diameter	7 ¹ / ₄ "
C: strainer diameter	6 ⁵ / ₈ "
D: flange diameter	8 ¹ / ₂ "
E: sump depth	3 ¹ / ₈ "
F: overall height	
2" drain	4 ¹ / ₄ "
3" drain	4 ⁷ / ₈ "
4" drain	5 ¹ / ₈ "
G: trap primer port	for 1/2" FIP

Item # Submitted _____
Job Name _____
Location _____
Engineer _____
Contractor _____
PO# _____ TAG _____



864-3P



Create Item Number

864- A B C

e.g. 864-3PS2 = 3" PVC drain with PVC sand bucket, and open-half grate.

A CONNECTION SIZE

- 2 2" Sch. 40 hub
- 3 3" Sch. 40 hub
- 4 4" Sch. 40 hub

B MATERIAL

- A ABS body/connection
- P PVC body/connection

C OPTIONS

- V vandal-resistant strainer screws
- T tapped trap primer port, 1/2" FIP
- S PVC sand bucket
- 2 open-half strainer
- 3 Open-quarter strainer
- X less strainer

ACCESSORIES

- 864-UM stainless steel debris screen
- 863-FN round nickel condensate funnel
- 863-FA round aluminum condensate funnel
- 863-FNO oval nickel condensate funnel
- 867-C underdeck clamp kit