

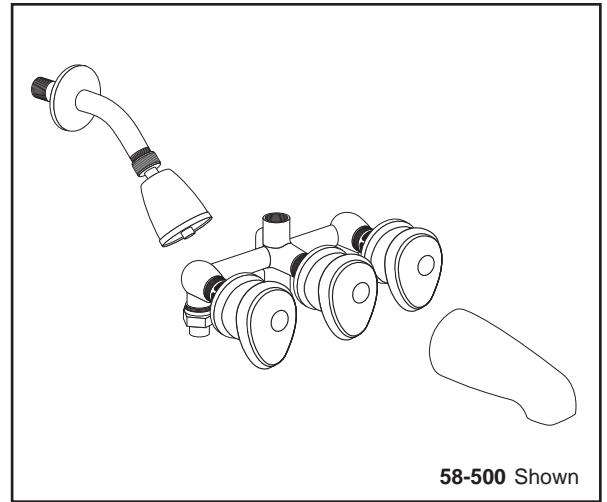


58-500 Series Gerber Hardwater® Three Handle Tub & Shower Fittings



Features:

- Ceramaflow ceramic disc cartridges
- Body cast of high copper content brass
- Exposed parts have heavy chrome plated finish
- Working parts can be easily replaced
- 2.5 gpm (9.5 L/min) maximum showerhead @ 80 psi
- 1/2" I.P.S. or 1/2" nominal copper sweat connections
- 8" centers with threaded escutcheons
- ADA compliant handles operate with less than 5 lbs. force
- Three valve with center diverter
- Zinc die cast tub spout



Standards & Certifications:

- ANSI/ASME A112.18.1M
- ANSI A117.1 (ADA)
- IAPMO/cUPC

Catalog Numbers:

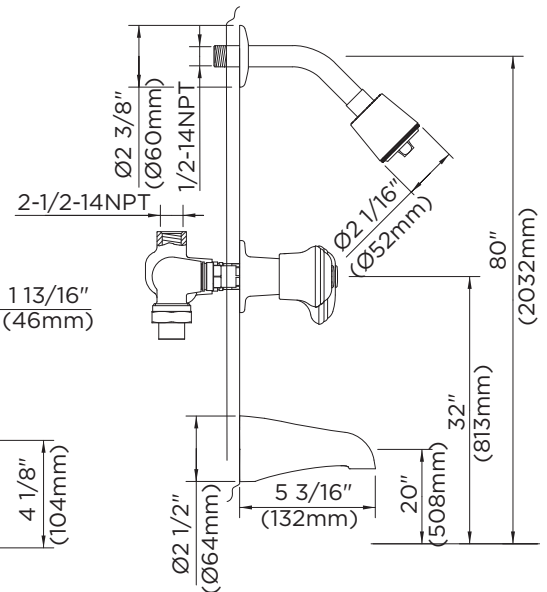
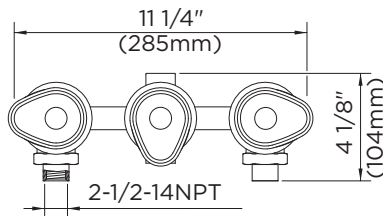
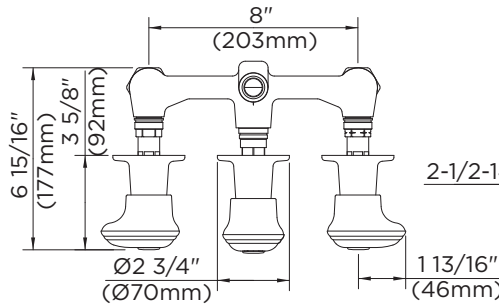
- 58-500** IPS/Sweat, Chrome
58-500-81 IPS/Sweat W/Slip
 Spout Tub Filler, Chrome
58-510 Sweat, Chrome
58-510-81 Sweat W/Slip Spout
 Tub Filler, Chrome

Prefixes Available:

None

Suffixes Available

-81 Slip Spout Tub Filler



Job Name	
Date	
Model Specified	
Quantity	
Customer	
Contractor	
Architect/engineer	

Gerber Toll Free Technical Support: 888-648-6466
www.gerberonline.com