



CAST IRON VALVE BOX - 5-1/4" LID

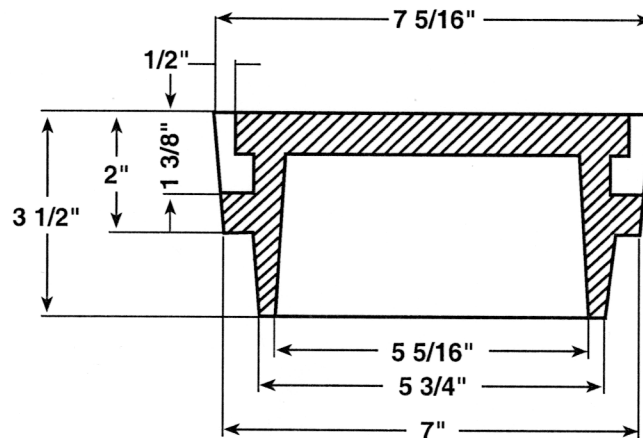
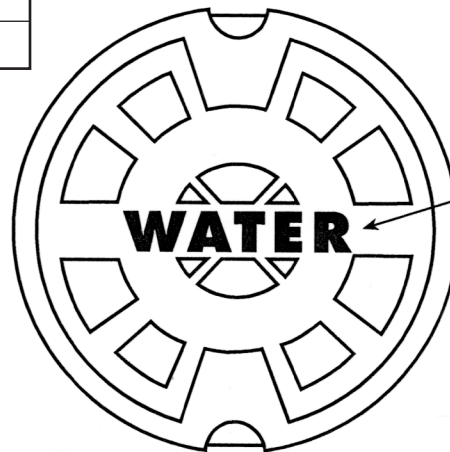
Product Features

All valve boxes and related parts shall be coated on all surfaces with an asphaltic varnish of 2mm in thickness.

Model Numbers

		LID
IVBLIDF	5-1/4 Drop Valve Box Lid	Fire
IVBLIDG	5-1/4 Drop Valve Box Lid	Gas
IVBLIDI	5-1/4 Drop Valve Box Lid	Irrigation
IVBLIDR	5-1/4 Drop Valve Box Lid	Reuse
IVBLIDS	5-1/4 Drop Valve Box Lid	Sewer
IVBLIDW	5-1/4 Drop Valve Box Lid	Water

SEWER



Codes & Approvals

Valve boxes conform to ASTM A-48, Grade 30B; Asphaltic varnish conforms to AWWA C-104.