

# 8201

# 1/4"-4"

**FORGED BRASS BALL VALVE  
TWO PIECE, STANDARD PORT  
400 PSIG WOG / 150 PSIG SWP \*  
THREADED ENDS**

NSF61-8

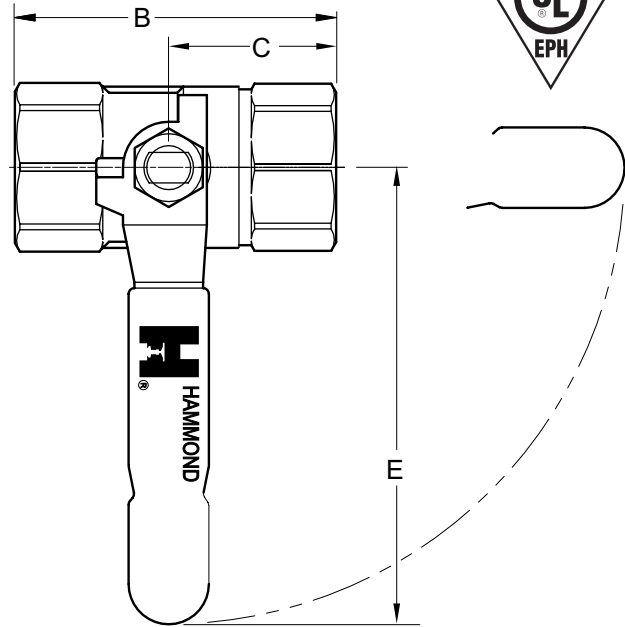
MSS-SP110



## MATERIALS LIST

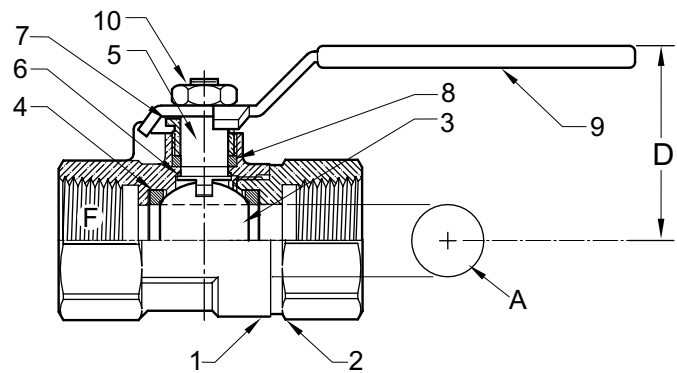
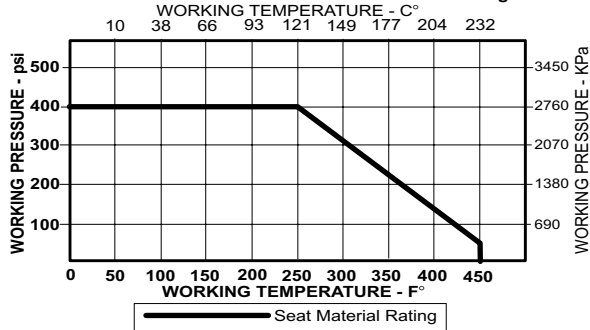
ITEM	PART	MATERIALS	ASTM SPEC.
1	Body	Brass, Forged	B283
2	Tailpiece	Brass, Forged	B283
3	Ball	Brass	B16
		Brass, Cast	B584
4	Seat	PTFE	
5	Stem	Brass	B16
6	Thrust Washer	PTFE	
7	Gland Nut	Brass	B16
8	Gland Packing	PTFE	
9	Handle	Steel w/ Zinc Plating	B633
10	Handle Nut	Brass	B16

\* Please consult factory for more information regarding steam applications.



## PRESSURE - TEMPERATURE DATA

VALVES RATED FOR VACUUM SERVICE TO 29 INCHES Hg.



## DIMENSIONS

	UNITS	1/4"	3/8"	1/2"	3/4"	1"	1-1/4"	1-1/2"	2"	2-1/2"	3"	4"
		DN6	DN10	DN15	DN20	DN25	DN32	DN40	DN50	DN65	DN80	DN100
A (DIA)	INCHES	<b>0.31</b>	<b>0.31</b>	<b>0.39</b>	<b>0.59</b>	<b>0.76</b>	<b>0.98</b>	<b>1.26</b>	<b>1.50</b>	<b>2.00</b>	<b>2.52</b>	<b>2.95</b>
	mm	7.9	7.9	9.9	15.0	19.3	25.0	32.0	38.1	50.8	64.0	74.9
B	INCHES	<b>1.65</b>	<b>1.65</b>	<b>2.30</b>	<b>2.55</b>	<b>3.05</b>	<b>3.43</b>	<b>3.76</b>	<b>4.21</b>	<b>5.50</b>	<b>6.22</b>	<b>7.31</b>
	mm	41.9	41.9	58.4	64.8	77.5	87.1	95.5	106.9	139.8	158.0	185.5
C	INCHES	<b>0.83</b>	<b>0.83</b>	<b>1.15</b>	<b>1.28</b>	<b>1.53</b>	<b>1.72</b>	<b>1.88</b>	<b>2.11</b>	<b>2.75</b>	<b>3.11</b>	<b>3.66</b>
	mm	21.1	21.1	5.6	32.5	38.9	43.7	47.8	53.6	69.9	79.0	93.0
D	INCHES	<b>1.38</b>	<b>1.38</b>	<b>1.50</b>	<b>1.61</b>	<b>2.00</b>	<b>2.17</b>	<b>2.72</b>	<b>2.87</b>	<b>3.66</b>	<b>4.02</b>	<b>4.33</b>
	mm	35.1	35.1	38.1	40.9	50.8	55.1	69.1	72.9	93.0	102.1	110.0
E	INCHES	<b>3.31</b>	<b>3.31</b>	<b>3.31</b>	<b>3.31</b>	<b>4.65</b>	<b>4.65</b>	<b>5.28</b>	<b>5.28</b>	<b>7.87</b>	<b>7.87</b>	<b>7.87</b>
	mm	84.1	84.1	84.1	84.1	118.1	118.1	134.1	134.1	199.9	199.9	199.9
F	THREAD SIZE	1/4" NPT	3/8" NPT	1/2" NPT	3/4" NPT	1" NPT	1-1/4" NPT	1-1/2" NPT	2" NPT	2-1/2" NPT	3" NPT	4" NPT
Cv		9	9	12	18	40	72	112	161	287	448	645

Note: DN (Diameter Nominal) = Metric equivalent size.

Rev. 1

The information presented on this sheet is correct at the time of publication. Hammond Valve reserves the right to change design, and/or material specifications without notice. For the most current information access [www.hammondvalve.com](http://www.hammondvalve.com)