

2600CBDWP – EVERYDAY BATHS

60 x 60 x 21 ½ inches

SOAKER MODEL #2600CBD

WHIRLPOOL MODEL #2600CBDWP



FEATURES

- Corner design
- Integral arm rests
- Ergonomic backrest
- Integral tiling flange (2T)
- Integral skirt
- Molded toiletry shelf
- Slip-resistant textured bottom
- Center rear drain
- AcrylX™ applied acrylic surface
- East zone only
- Lifetime limited warranty

Whirlpool Features:

- 4 directional hydrotherapy jets
- Color matched or clear trim
- Pneumatic on/off control
- Advanced safety suction system

OPTIONS

- Removable access panel (whirlpool models)
- Designer drain, waste & overflow

AQUATIC ADVANTAGE

- National distribution
- 6 manufacturing facilities
- Private fleet
- Centralized customer service
- Field support

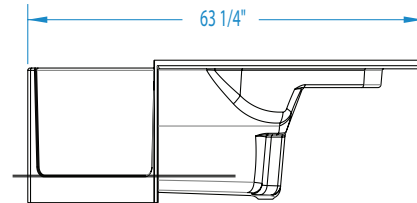
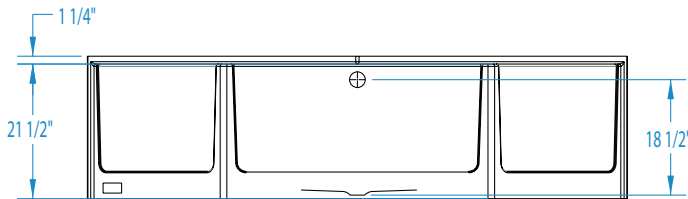
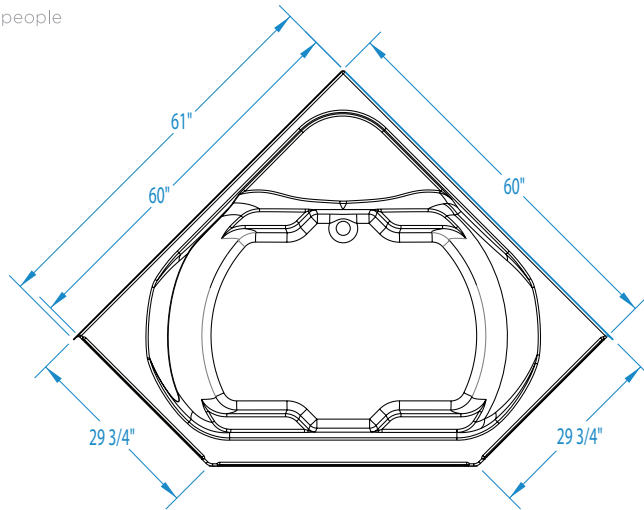
COLOR OPTIONS

Stock	Upgraded	Premium
White (C)	Almond (NA) Linen/Biscuit (C) Bone (C)	Black (NA) Mexican Sand (NA) Sand Bar (NA) Sterling Silver (NA)



2600CBDWP

60 x 60 x 21 1/2 inches



FEATURES lbs Dimensional Tolerance $\pm 3/8"$. Dimensions needed for site preparation should be measured from the unit. Aquatic assumes no responsibility for preparatory work.

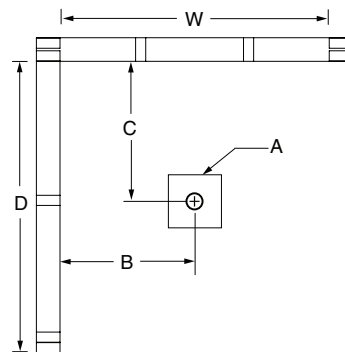
Model #	Material	Jets	Motor	Controls	Drain	Net Wt.	Pkg. Wt.
Soaker #2600CBD	AcrylX™	0	-	-	Center Rear	112	117
Whirlpool #2600CBDWP	AcrylX™	4	63 GPM	Pneumatic	Center Rear	162	167

DIMENSIONS

Specifications	inches
Width: Overall / Net	61 1/2 / 60
Depth: Overall / Net	28
Height: Overall / Net	22 3/4 / 21 1/2
Enclosure Opening	-
Skirt Height	21 1/2
Drain Rough-In (from Back Wall)	18
Drain Rough-In (from Side Wall)	18
Drain: Diameter / Clearance	2 / 1/2

FRAMING DIMENSIONS inches

Type	D Depth	W Width	H Height	A	B	C
Alcove	58 1/2	58 1/2	21 1/4	Box Out	18	18



SUMP DATA

Top of Drain to Bottom of Overflow	Capacity to Overflow gal	Min. Operating Capacity gal	WIDTH @ centerline		DEPTH @ centerline	
			Top	Bottom	Top	Bottom
13 1/4	90	50	62	45	37 1/2	34 1/2