



Urinal Strainer K-9172

Features

- For use on vitreous china urinal.
- For caulking 2" iron pipe or soldering 2" lead pipe.

Material

- Brass construction.
- Vitreous china grate.

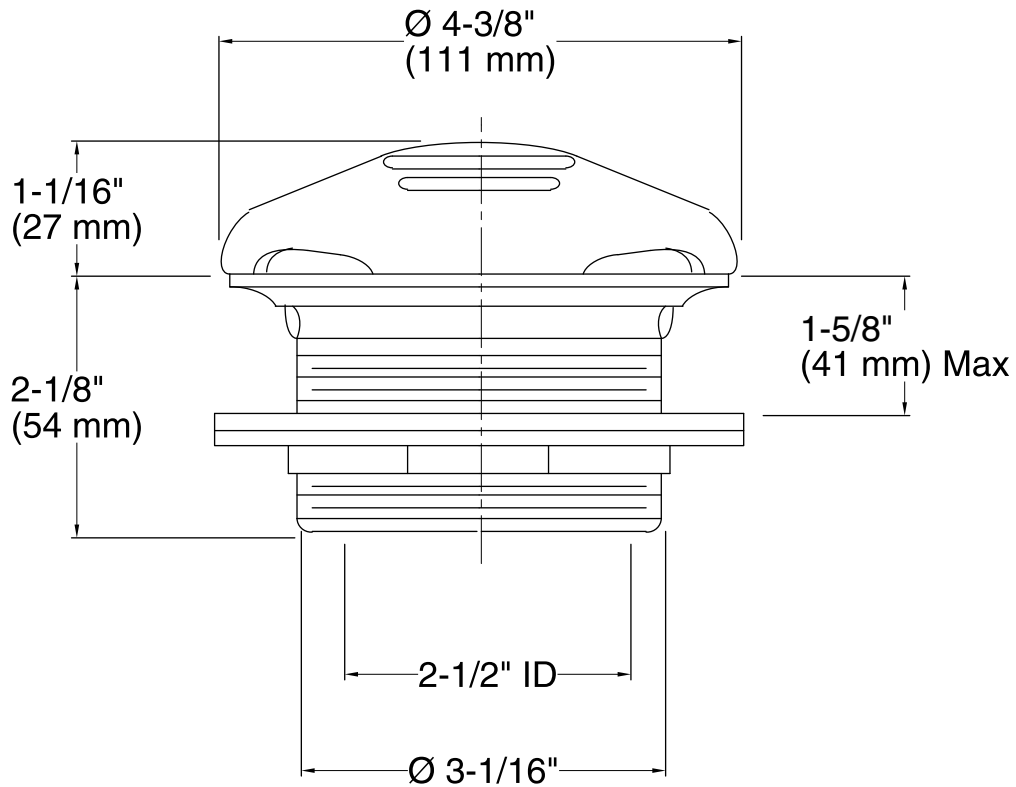


Codes/Standards

ASME A112.18.1/CSA B125.1

KOHLER® One-Year Limited Warranty

See website for detailed warranty information.



Technical Information

All product dimensions are nominal.

Notes

Install this product according to the installation guide.