



70th Anniversary

# *Performance* **FLOAT VALVES**

**Bob® Brass Float Valves & Assemblies**

**Livestock Watering Valves & Assemblies**

**Bob® Stainless Steel Float Valves & Assemblies**

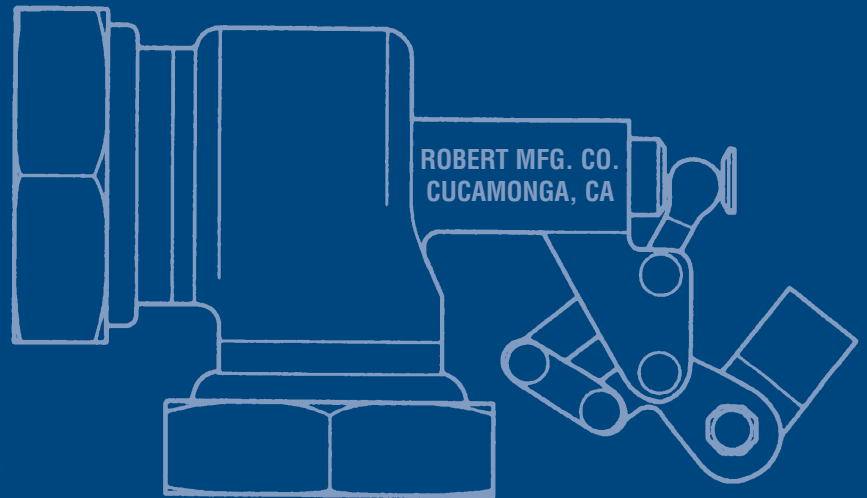
**Bobby® Miniature Float Valves & Assemblies**

**Bob® Copper Floats**

**Bob® Stainless Steel Floats**

**Bob® Polypropylene Floats**

**Bob® Valve Reservoir Assemblies**



*Standards Of Reliability...*  
**For Over 70 Years**

**FV506**

Effective May 8, 2006

**Robert Manufacturing Co.**

*Since our inception more than 70 years ago, Robert Manufacturing Company has been a source of some of the most innovative, high-performance plumbing products on the market. Our extensive line of BOB® brand products represent the best in design, engineering and manufacturing efficiency.*

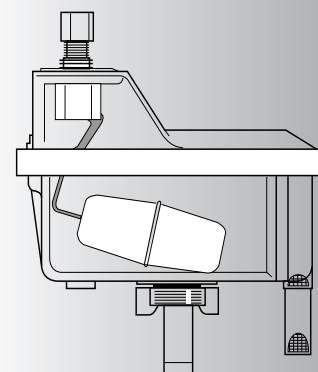
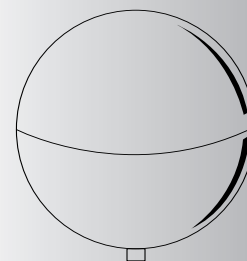
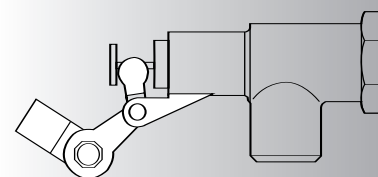
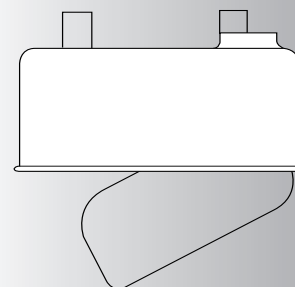
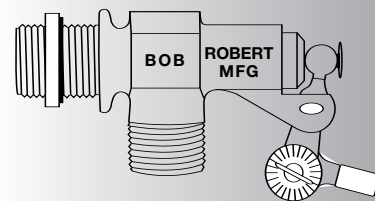
*We have no intention of resting on our laurels. Rather, we will continue to keep pace with every technological advancement, while maintaining our innovative capabilities. As always, our efforts will be to enhance the reputations of our customers and to give them a competitive edge.*

A handwritten signature in black ink that reads "Robert Hartwell". The signature is written in a cursive, flowing style with a large, prominent "R" at the beginning.

*Robert Hartwell  
President*

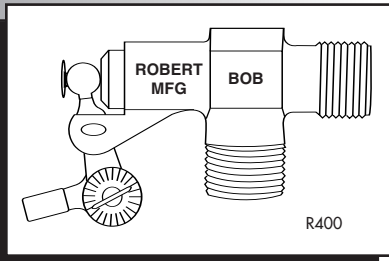
# C A T A L O G I N D E X

<b>SECTION</b>	<b>PAGE NUMBER</b>
Bob® Float Valves & Assemblies	
R400, RF400, R700 .....	2
RC810 .....	2-3
R900, R600 .....	3
R605T .....	3-4
R610, RF610 .....	4
Bob® Compact Livestock Waterers .....	4
Bob® Livestock Watering Valve Assemblies .....	5
Bob® Livestock Replacement Parts .....	5
Bob® Brass & Stainless Steel Float Valve Replacement Kits And Short Arms.....	6
Brass & Stainless Steel Stems .....	7
Bob® Stainless Steel Float Valves & Assemblies	
R1350, R1351, R1360, R1361 .....	8
R1370, R1371, R1380, R1381 .....	9
Bobby® Float Valve Assemblies	
RM66, RM71, RM79, RM378, RM64, RM65 .....	10
RM155, RM153P, RM150, RM153, RM214, RM262, RM262P .....	11
Bob® Copper Floats & Brass Adapters	
R440, R209, R434, R435, 102263 .....	12
Bob® Stainless Steel Floats & Adapters	
R1340, 106272 .....	13
Bob Polypropylene Floats	
PF5, PF6, PF8, PF21 .....	13
PF22, PF23, PF24, PF26, PF29, PF 29S .....	14
PF30, PF31, PF33, PF36, PF45, PF46` .....	14
Bobby® Valve Reservoir Assemblies	
107-2211, 107P-2211, 107-2221, 107P-2221, 107-2241 .....	15
RM 416, RM416-1 .....	15
Bobby® Valves for Reservoir Assemblies & Accessories	
RM292 and RM 292P .....	15
Bobby® Valves for Reservoir Assemblies & Accessories	
RM292, RM296, R500-1/4 .....	16
Installation Instructions .....	17
Flow Chart & Installation Drawing .....	17



# BOB® FLOAT VALVES & ASSEMBLIES

All Standard Bob® Float Valve Assemblies consist of valve, brass stem, and float ball (copper or polypropylene) for positive water level control. For special assemblies list parts separately, i.e., valve, stem, and float ball.



## R400 VALVE - MIP X MIP

- High Capacity - Heavy Duty • Red Brass Body
- Adjusting Arm Tapped 1/4-20 Thread • Buna-N-Disc Standard

LIST EACH	PART NUMBER	PIPE SIZE		WEIGHT LBS.	FREE DISCHARGE FLOW CAPACITY	
		INLET	OUTLET		35 PSI	85 PSI
\$18.37	R400-3/8	3/8" MIP	3/8" MIP	.44	9 GPM	13 GPM
\$19.26	R400-1/2	1/2" MIP	1/2" MIP	.63	12 GPM	22 GPM
\$24.80	R400-3/4	3/4" MIP	3/4" MIP	.82	21 GPM	39.9 GPM
\$39.02	R400-1	1" MIP	1" MIP	1.13	43.5 GPM	68.5 GPM

## RF400 VALVE - FIP X MIP

LIST EACH	PART NUMBER	PIPE SIZE		WEIGHT LBS.	FREE DISCHARGE FLOW CAPACITY	
		INLET	OUTLET		35 PSI	85 PSI
\$39.02	RF400-1	1" FIP	1" MIP	1.25	43.5 GPM	68.5 GPM

## R400 VALVE ASSEMBLY w/STEM & FLOAT

LIST EACH	ASSEMBLY NUMBER	PIPE SIZE		FLOAT BALL	STEM	WEIGHT LBS.	MAX. INLET PRESSURE
		INLET	OUTLET				
\$47.14	R400-3/8-5	3/8" MIP	3/8" MIP	R440-5	1/4 - 20X10"	1.13	125 PSI
\$47.36	R400-1/2-5	1/2" MIP	1/2" MIP	R440-5	1/4 - 20X10"	1.31	125 PSI
\$52.89	R400-3/4-5	3/4" MIP	3/4" MIP	R440-5	1/4 - 20X10"	1.50	100 PSI
\$74.55	R400-1-5	1" MIP	1" MIP	R440-6	1/4 - 20X10"	1.94	100 PSI

## RF400 VALVE ASSEMBLY w/STEM & FLOAT

LIST EACH	ASSEMBLY NUMBER	PIPE SIZE		FLOAT BALL	STEM	WEIGHT LBS.	MAX. INLET PRESSURE
		INLET	OUTLET				
\$74.55	RF400-1-5	1" FIP	1" MIP	R441-6	5/16 - 18X12"	2.11	100 PSI

## R700 VALVE

- Tank Wall Mounting • STRAIGHT PIPE THREAD

LIST EACH	PART NUMBER	PIPE SIZE		WEIGHT LBS.	FREE DISCHARGE FLOW CAPACITY	
		INLET	OUTLET		35 PSI	85 PSI
\$17.00	R700-3/8	3/8" MIP	3/8" MIP	.52	12 GPM	22 GPM
\$19.26	R700-1/2	1/2" MIP	1/2" MIP	.66	12 GPM	22 GPM
\$24.80	R700-3/4	3/4" MIP	3/4" MIP	.87	21 GPM	39.9 GPM

## R700 VALVE w/LOCKNUT & GASKET

- STRAIGHT PIPE THREAD

LIST EACH	PART NUMBER	PIPE SIZE		WEIGHT LBS.	FREE DISCHARGE FLOW CAPACITY	
		INLET	OUTLET		35 PSI	85 PSI
\$19.06	R700L-3/8	3/8" MIP	3/8" MIP	.68	12 GPM	22 GPM
\$20.06	R700L-1/2	1/2" MIP	1/2" MIP	.68	12 GPM	22 GPM
\$25.82	R700L-3/4	3/4" MIP	3/4" MIP	.89	21 GPM	39.9 GPM

## R700L VALVE ASSEMBLY w/LOCKNUT, GASKET, STEM & FLOAT

LIST EACH	ASSEMBLY NUMBER	PIPE SIZE		FLOAT BALL	STEM	WEIGHT LBS.	MAX. INLET PRESSURE
		INLET	OUTLET				
\$43.34	R700L-3/8-5	3/8" MIP	6/8" MIP	R440-5	1/4 - 20X10"	1.33	125 PSI
\$47.67	R700L-1/2-5	1/2" MIP	1/2" MIP	R440-5	1/4 - 20X10"	1.33	125 PSI
\$53.23	R700L-3/4-5	3/4" MIP	3/4" MIP	R440-5	1/4 - 20X10"	1.54	100 PSI

## RC810 CASA VALVE

- Compound Lever • Fluted Celcon Plunger • Max Temp on 3/8", 1/2" & 3/4" is 120°F

LIST EACH	PART NUMBER	PIPE SIZE		WEIGHT LBS.	FREE DISCHARGE FLOW CAPACITY	
		INLET	OUTLET		35 PSI	85 PSI
\$18.83	** RC810-3/8	3/8" MIP	FREE FLOW	.75	9 GPM	13 GPM
\$19.84	** RC810-1/2	1/2" MIP	FREE FLOW	.82	14 GPM	22.5 GPM
\$25.77	** RC810-3/4	3/4" MIP	FREE FLOW	.63	27 GPM	36 GPM
\$46.04	*R810-1	1" MIP	FREE FLOW	1.56	80 GPM	138 GPM

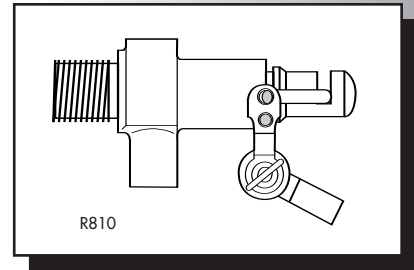
\*R810-1 Brass Plunger \*\*Viton Cup, Silicone Disc

• For HIGH TEMP DISC and CUP add suffix "V" to part number, i.e. R400-3/8V or R400-3/8-5V. Add \$4.29 to List.  
 • For POLYPROPYLENE FLOAT add suffix "P" to assembly number, i.e. R400-1-5P. Contact our sales office for current pricing.

# BOB® FLOAT VALVES & ASSEMBLIES

## APPLICATIONS INCLUDE:

Cooling towers, livestock waterers, car wash, high pressure wash, swimming pools, and many other agricultural and industrial applications.



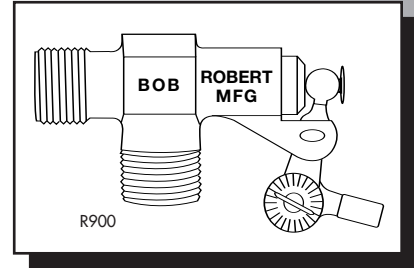
### RC810 CASA VALVE ASSEMBLY w/STEM & FLOAT

LIST EACH	ASSEMBLY NUMBER	PIPE SIZE		FLOAT		WEIGHT LBS.	MAX. INLET PRESSURE
		INLET	OUTLET	BALL	STEM		
\$48.04	RC810-3/8-5	3/8" MIP	FREE FLOW	R440-5	1/4 - 20X10"	1.44	120 PSI
\$49.59	RC810-1/2-5	1/2" MIP	FREE FLOW	R440-5	1/4 - 20X10"	1.44	120 PSI
\$55.00	RC810-3/4-5	3/4" MIP	FREE FLOW	R440-5	1/4 - 20X10"	1.69	100 PSI
\$83.24	R810-1-5	1" MIP	FREE FLOW	R440-6	1/4 - 20X10"	2.06	100 PSI

### R900 VALVE

- Fluted Plunger for Heavy Sand/Silt Conditions

LIST EACH	PART NUMBER	PIPE SIZE		WEIGHT LBS.	FREE DISCHARGE FLOW CAPACITY	
		INLET	OUTLET		35 PSI	85 PSI
\$22.63	R900-3/8	3/8" MIP	3/8" MIP	.44	9 GPM	13 GPM
\$23.55	R900-1/2	1/2" MIP	1/2" MIP	.63	12 GPM	22 GPM
\$29.08	R900-3/4	3/4" MIP	3/4" MIP	.82	21 GPM	39.9 GPM
\$43.26	R900-1	1" MIP	1" MIP	1.13	43.5 GPM	68.5 GPM



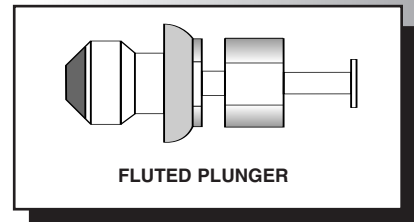
### R900 VALVE ASSEMBLY w/STEM & FLOAT

LIST EACH	ASSEMBLY NUMBER	PIPE SIZE		FLOAT		WEIGHT LBS.	MAX. INLET PRESSURE
		INLET	OUTLET	BALL	STEM		
\$50.71	R900-3/8-5	3/8" MIP	3/8" MIP	R440-5	1/4 - 20X10"	1.13	125 PSI
\$51.65	R900-1/2-5	1/2" MIP	1/2" MIP	R440-5	1/4 - 20X10"	1.31	125 PSI
\$57.16	R900-3/4-5	3/4" MIP	3/4" MIP	R440-5	1/4 - 20X10"	1.50	100 PSI
\$78.76	R900-1-5	1" MIP	1" MIP	R440-6	1/4 - 20X10"	1.94	100 PSI

### R600 VALVE

- High Capacity - Heavy Duty
- Compound Lever
- Rotating Plunger
- Buna-N Disc Standard

LIST EACH	PART NUMBER	PIPE SIZE		WEIGHT LBS.	FREE DISCHARGE FLOW CAPACITY	
		INLET	OUTLET		35 PSI	85 PSI
\$89.35	R600-1-1/4	1-1/4" FIP	1-1/4" FIP	3.50	82 GPM	120 GPM
\$89.35	R600-1-1/2	1-1/2" FIP	1-1/2" FIP	3.50	82 GPM	120 GPM



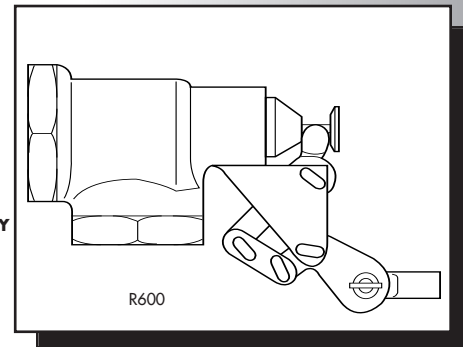
### R600 VALVE w/STEM & FLOAT

LIST EACH	ASSEMBLY NUMBER	PIPE SIZE		FLOAT		WEIGHT LBS.	MAX. INLET PRESSURE
		INLET	OUTLET	BALL	STEM		
\$124.84	R600-1-1/4-5	1-1/4" FIP	1-1/4" FIP	R440-6	1/4 - 20X10"	4.50	125 PSI
\$124.84	R600-1-1/2-5	1-1/2" FIP	1-1/2" FIP	R440-6	1/4 - 20X10"	4.50	125 PSI

### R605T "HIGH TURBO" VALVE

- High Capacity - Heavy Duty
- Compound Lever
- Adjusting Short Arm
- For Use in Applications w/HIGH TURBULENCE
- Cooling Towers
- Car Washes

LIST EACH	PART NUMBER	PIPE SIZE		WEIGHT LBS.	FREE DISCHARGE FLOW CAPACITY	
		INLET	OUTLET		35 PSI	85 PSI
\$33.71	RF605T-1/2	1/2" FIP	FREE FLOW	1.75	18 GPM	27 GPM
\$43.39	RF605T-3/4	3/4" FIP	FREE FLOW	1.85	18 GPM	27 GPM
\$69.06	RF605T-1	1" FIP	FREE FLOW	2.04	63 GPM	110 GPM



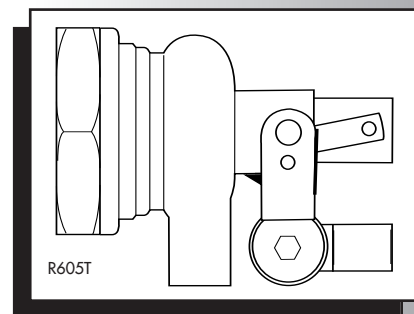
### R605T "HIGH TURBO" VALVE ASSEMBLY w/STEM & FLOAT

LIST EACH	ASSEMBLY NUMBER	PIPE SIZE		FLOAT		WEIGHT LBS.	MAX. INLET PRESSURE
		INLET	OUTLET	BALL	STEM		
\$61.58	RF605T-1/2-5	1/2" FIP	FREE FLOW	R440-5	1/4-20 X 10"	3.00	150 PSI
\$71.48	RF605T-3/4-5	3/4" FIP	FREE FLOW	R440-5	1/4-20 X 10"	3.20	150 PSI
\$106.52	RF605T-1-5	1" FIP	FREE FLOW	R440-8	*3/8-16 X 12"	4.90	200 PSI

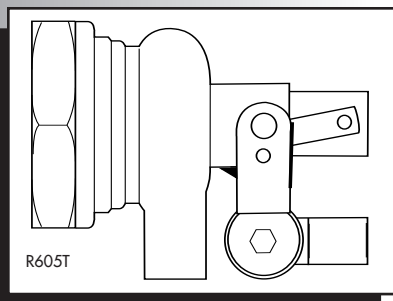
\* R434-11 Adapter Included

### R605T "HIGH TURBO" VALVE

LIST EACH	PART NUMBER	PIPE SIZE		WEIGHT LBS.	FREE DISCHARGE FLOW CAPACITY	
		INLET	OUTLET		35 PSI	85 PSI
\$110.62	R605T-1-1/4	1-1/4" FIP	FREE FLOW	3	112 GPM	180 GPM
\$110.62	R605T-1-1/2	1-1/2" FIP	FREE FLOW	3	112 GPM	180 GPM
\$134.96	R605T-2	2" FIP	FREE FLOW	3	112 GPM	180 GPM



## BOB® FLOAT VALVES &amp; ASSEMBLIES

**R605T "HIGH TURBO" VALVE ASSEMBLY w/STEM & FLOAT**

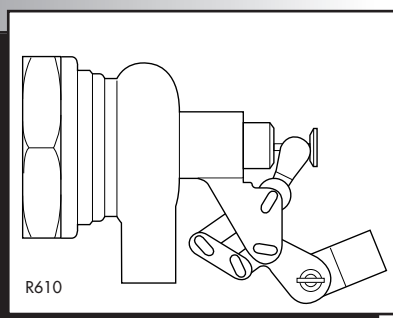
- R434-11 Adapter Included

LIST EACH	ASSEMBLY NUMBER	PIPE SIZE		FLOAT		WEIGHT LBS.	MAX. INLET PRESSURE
		INLET	OUTLET	BALL	STEM		
\$186.88	R605T-1-1/4-5	1-1/4" FIP	FREE FLOW	R440-8	3/8-16 X 12"	4.31	225 PSI
\$186.88	R605T-1-1/2-5	1-1/2" FIP	FREE FLOW	R440-8	3/8-16 X 12"	4.44	225 PSI
\$213.21	R605T-2-5	2" FIP	FREE FLOW	R440-8	3/8-16 X 12"	5.06	225 PSI

**R610 VALVE**

- High Capacity - Heavy Duty
- Compound Lever
- Rotating Plunger
- Adjusting Short Arm Tapped 1/8" FIP

LIST EACH	PART NUMBER	PIPE SIZE		WEIGHT LBS.	FREE DISCHARGE FLOW CAPACITY	
		INLET	OUTLET		35 PSI	85 PSI
\$73.75	R610-1-1/4	1-1/4" FIP	FREE FLOW	2.75	112 GPM	180 GPM
\$73.75	R610-1-1/2	1-1/2" FIP	FREE FLOW	2.75	112 GPM	180 GPM
\$95.01	R610-2	2" FIP	FREE FLOW	2.75	112 GPM	180 GPM

**R610 VALVE ASSEMBLY w/STEM & FLOAT**

- R209-3/8 x 1/8 Adapter Included

LIST EACH	ASSEMBLY NUMBER	PIPE SIZE		FLOAT		WEIGHT LBS.	MAX. INLET PRESSURE
		INLET	OUTLET	BALL	STEM		
\$127.51	R610-1-1/4-5	1-1/4" FIP	FREE FLOW	R440-8	1/8" MIP X 12"	4.31	115 PSI
\$150.00	R610-1-1/2-5	1-1/2" FIP	FREE FLOW	R440-8	1/8" MIP X 12"	4.44	115 PSI
\$171.28	R610-2-5	2" FIP	FREE FLOW	R440-8	1/8" MIP X 12"	5.06	115 PSI

**RF610 VALVE**

- Adjusting Short Arm Tapped 3/8-16 SAE

LIST EACH	PART NUMBER	PIPE SIZE		WEIGHT LBS.	FREE DISCHARGE FLOW CAPACITY	
		INLET	OUTLET		35 PSI	85 PSI
\$73.75	RF610-1-1/4	1-1/4" FIP	FREE FLOW	2.75	112 GPM	180 GPM
\$73.75	RF610-1-1/2	1-1/2" FIP	FREE FLOW	2.75	112 GPM	180 GPM
\$95.01	RF610-2	2" FIP	FREE FLOW	2.75	112 GPM	180 GPM

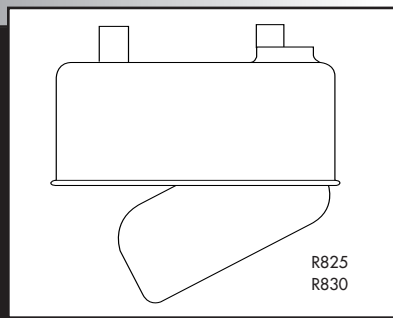
**RF610 VALVE ASSEMBLY w/STEM & FLOAT**

- R434-11 Adapter Included

LIST EACH	ASSEMBLY NUMBER	PIPE SIZE		FLOAT		WEIGHT LBS.	MAX. INLET PRESSURE
		INLET	OUTLET	BALL	STEM		
\$127.51	RF610-1-1/4-5	1-1/4" FIP	FREE FLOW	R440-7	3/8-16 X 12"	4.31	115 PSI
\$150.00	RF610-1-1/2-5	1-1/2" FIP	FREE FLOW	R440-8	3/8-16 X 12"	4.44	115 PSI
\$171.28	RF610-2-5	2" FIP	FREE FLOW	R440-8	3/8-16 X 12"	5.06	115 PSI

- For HIGH TEMP DISC and CUP add suffix "V" to part number, i.e. R610-1-1/2V or R610-1-1/2-5V. Add \$4.29 to list.
- For POLYPROPYLENE FLOAT add suffix "P" to assembly number, i.e. R610-2-5P; R610-1-1/4-5P requires 8" Polypropylene float ball. Contact our sales office for current pricing.

## BOB® COMPACT LIVESTOCK WATERER

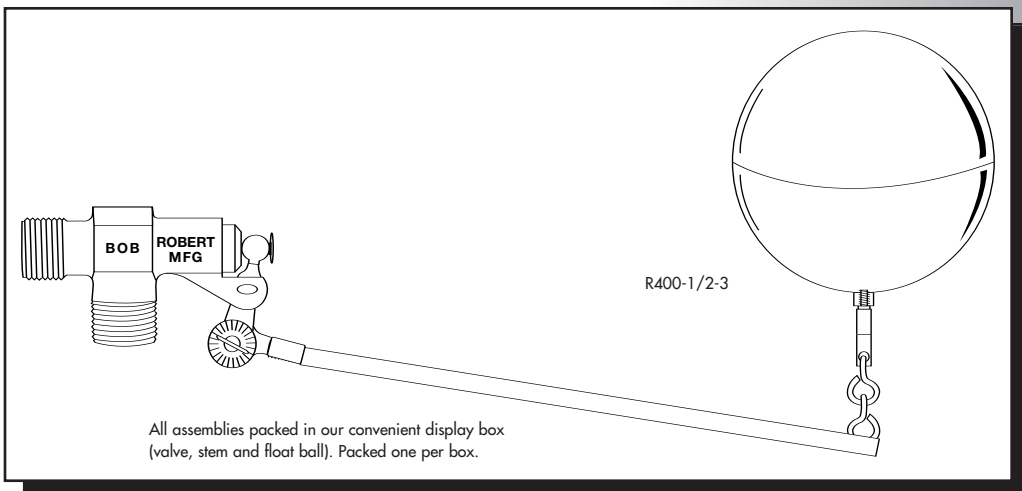


- Converts Any Water Storage Tank to Automatic Waterer
- Fast and Easy Hook-up
- Garden Hose Connection
- Rugged Corrosion Resistant Plastic or Metal Case
- Two-level Water Settings

LIST EACH	MODEL	CONNECTION	OUTLET	WEIGHT	MAX. INLET PRESSURE
\$18.79	R825	GARDEN HOSE	FREE FLOW	PLASTIC CASE 1.37	70 PSI
\$26.29	R830	GARDEN HOSE	FREE FLOW	METAL CASE 1.62	70 PSI

# BOB® LIVESTOCK WATERING VALVE ASSEMBLIES

The unique stem and swivel arrangements of the BOB® EVERITE Livestock Float Assembly prevents damage from livestock nuzzling ... Assemblies consist of Valve, Stem, Swivel and Float Ball (copper or polypropylene). For special assemblies list parts separately, i.e., Valve, Stem and Float Ball.



## R400 LIVESTOCK ASSEMBLY

LIST EACH	ASSEMBLY NUMBER	PIPE SIZE INLET	PIPE SIZE OUTLET	FLOAT BALL	STEM & SWIVEL	WEIGHT LBS.	MAX. INLET PRESSURE
\$54.04	R400-1/2-3	1/2" MIP	1/2" MIP	R440-5	1/4-20X10"	1.75	125 PSI
\$59.57	R400-3/4-3	3/4" MIP	3/4" MIP	R440-5	1/4-20X10"	1.94	100 PSI
\$81.21	R400-1-3	1" MIP	1" MIP	R440-6	1/4-20X10"	2.38	100 PSI

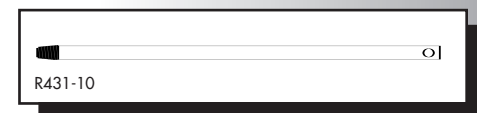
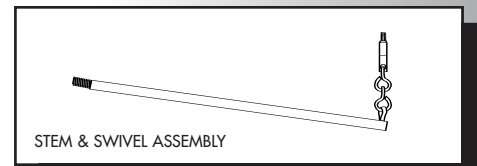
## R610 LIVESTOCK ASSEMBLY

LIST EACH	ASSEMBLY NUMBER	PIPE SIZE INLET	PIPE SIZE OUTLET	FLOAT BALL	STEM & SWIVEL	WEIGHT LBS.	MAX. INLET PRESSURE
\$158.29	R610-1-1/4-3	1-1/4" FIP	FREE FLOW	R440-7	1/8" MIP X 16"	5.63	115 PSI
\$159.55	R610-1-1/2-3	1-1/2" FIP	FREE FLOW	R440-8	1/8" MIP X 16"	5.63	115 PSI
\$178.78	R610-2-3	2" FIP	FREE FLOW	R440-8	1/8" MIP X 16"	6.00	115 PSI

# BOB® LIVESTOCK VALVE REPLACEMENT PARTS

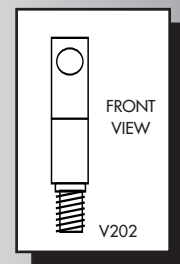
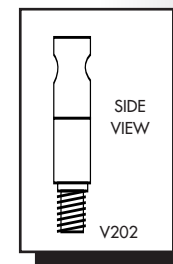
## STEM & SWIVEL ASSEMBLY

LIST EACH	PART NUMBER	STEM TYPE	SWIVEL TYPE	WEIGHT LBS.
\$10.75	R380	1/4-20X10"	1/4-20	.18
\$11.69	R380-1	1/4-20X10"	5/16-18	.18
\$16.62	R384-1	3/8-16X12"	5/16-18	.20
\$15.32	R384-2	3/8-16X12"	3/8-16	.20
\$15.63	R385	1/8" MIP X 16"	1/4-20	.31
\$14.06	R386-1	5/16-18X12"	5/16-18	.20
\$14.06	R386-2	5/16-18X12"	1/4-20	.20



## BOB® EVERITE STEM

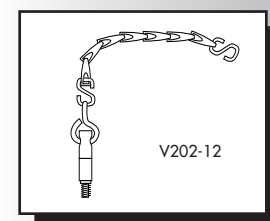
LIST EACH	PART NUMBER	STEM TYPE	WEIGHT LBS.
\$4.56	R431-10	1/4-20X10"	.12
\$9.94	R432-16	1/8" MIP X 16"	.25
\$8.84	R433-12	5/16-18 X 12"	.14
\$8.84	R436-12	3/8-16 X 12"	.14



## V202 SWIVEL, "S" HOOKS & SWIVEL WITH CHAIN

• Freeze Free

LIST EACH	PART NUMBER	DESCRIPTION
\$ .63	104672-1	"S" HOOK
\$6.08	V202	1 SWIVEL & 2 "S" HOOKS
\$11.00	V202-12	1 SWIVEL, 2 "S" HOOKS, 12" CHAIN



# BOB® BRASS FLOAT VALVE REPLACEMENT KITS

PART #	DISC & CUP KITS	LIST	PLUNGER KITS	LIST	ARM KITS	LIST	SHORT ARMS	LIST	SHORT ARM STEM THREAD
R400-3/8	* KB100	\$2.03 EA	KB200	\$4.99	KB301	\$9.45	R470	\$4.15	1/4-20 SAE
R400-1/2	* KB110	\$2.58 EA	KB210	\$7.85	KB300	\$9.45	R470	\$4.15	1/4-20 SAE
R400-3/4	* KB120	\$3.22 EA	KB220	\$10.34	KB300	\$9.45	R470	\$4.15	1/4-20 SAE
R400-1	* KB130	\$3.70 EA	KB230	\$18.94	KB302	\$9.45	R470	\$4.15	1/4-20 SAE
RF400-1	KB130	\$3.70 EA	KB230	\$18.94	KB300A	\$15.35	R475-3	\$10.05	5/16-18 SAE
R700-3/8	KB100	\$2.03 EA	KB200	\$4.99	KB301	\$9.45	R470	\$4.15	1/4-20 SAE
R700-1/2	KB110	\$2.58 EA	KB210	\$7.85	KB300	\$9.45	R470	\$4.15	1/4-20 SAE
R700-3/4	KB120	\$3.22 EA	KB220	\$10.34	KB300	\$9.45	R470	\$4.15	1/4-20 SAE
RC810-3/8	* KB133	\$3.01 EA	KB233	\$5.75	KB333	\$15.70	R306	\$4.58	1/4-20 SAE
RC810-1/2	KB133	\$3.01 EA	KB233	\$5.75	KB333	\$15.70	R306	\$4.58	1/4-20 SAE
RC810-3/4	KB136	\$3.55 EA	KB236	\$7.71	KB333	\$15.70	R306	\$4.58	1/4-20 SAE
R810-1	KB139	\$2.34 EA	KB239	\$15.57	KB339	\$21.65	R1006	\$6.98	1/4-20 SAE
R900-3/8	KB161	\$ 3.17 EA	KB260	\$12.88	KB301	\$9.45	R470	\$4.15	1/4-20 SAE
R900-1/2	KB162	\$ 3.67 EA	KB261	\$13.30	KB300	\$9.45	R470	\$4.15	1/4-20 SAE
R900-3/4	KB163	\$ 4.47 EA	KB262	\$13.78	KB300	\$9.45	R470	\$4.15	1/4-20 SAE
R900-1	KB164	\$ 4.91 EA	KB263	\$24.99	KB302	\$9.45	R470	\$4.15	1/4-20 SAE
R600-1-1/4	* KB140	\$4.86 EA	KB240	\$38.51	KB310	\$19.43	R470	\$4.15	1/4-20 SAE
R600-1-1/2	* KB140	\$4.86 EA	KB240	\$38.51	KB310	\$19.43	R470	\$4.15	1/4-20 SAE
RF605T-1/2	*KB143	\$2.67 EA	KB243	\$18.39	KB343	\$31.30	A4096-4	\$10.05	1/4-20 SAE
RF605T-3/4	*KB143	\$2.67 EA	KB243	\$18.39	KB343	\$31.30	A4096-4	\$10.05	1/4-20 SAE
RF605T-1	*KB146	\$3.46 EA	KB246	\$21.62	KB346	\$31.30	A4096-2	\$10.05	3/8-16 SAE
R605T-1-1/4	* KB149	\$5.12 EA	KB249	\$29.36	KB349	\$31.30	A4096-2	\$10.05	3/8-16 SAE
R605T-1-1/2	* KB149	\$5.12 EA	KB249	\$29.36	KB349	\$31.30	A4096-2	\$10.05	3/8-16 SAE
R605T-2	* KB149	\$5.12 EA	KB249	\$29.36	KB349	\$31.30	A4096-2	\$10.05	3/8-16 SAE
R610-1-1/4	KB150	\$5.12 EA	KB250	\$29.47	KB320	\$20.66	R475	\$6.65	1/8" FIP
R610-1-1/2	KB150	\$5.12 EA	KB250	\$29.47	KB320	\$20.66	R475	\$6.65	1/8" FIP
R610-2	KB150	\$5.12 EA	KB250	\$29.47	KB320	\$20.66	R475	\$6.65	1/8" FIP
RF610-1-1/4	KB150	\$5.12 EA	KB250	\$29.47	KB330	\$24.06	R475-4	\$10.05	3/8"-16 SAE
RF610-1-1/2	KB150	\$5.12 EA	KB250	\$29.47	KB330	\$24.06	R475-4	\$10.05	3/8"-16 SAE
RF610-2	KB150	\$5.12 EA	KB250	\$29.47	KB330	\$24.06	R475-4	\$10.05	3/8"-16 SAE

# BOB® STAINLESS FLOAT VALVE REPLACEMENT KITS

PART #	DISC & CUP KITS	LIST	PLUNGER KITS	LIST	ARM KITS	LIST	SHORT ARMS	LIST	SHORT ARM STEM THREAD
R1350-3/8	KS100	\$15.72 EA	KS200	\$63.21	KS300	\$62.22	106215-7	\$27.02	1/4-20 SAE
R1350-1/2	KS100	\$15.72 EA	KS200	\$63.21	KS300	\$62.22	106215-7	\$27.02	1/4-20 SAE
R1350-3/4	KS100	\$15.72 EA	KS200	\$63.21	KS300	\$62.22	106215-7	\$27.02	1/4-20 SAE
R1351-3/8	KS110	\$39.75 EA	KS210	\$67.15	KS300	\$62.22	106215-7	\$27.02	1/4-20 SAE
R1351-1/2	KS110	\$39.75 EA	KS210	\$67.15	KS300	\$62.22	106215-7	\$27.02	1/4-20 SAE
R1351-3/4	KS110	\$39.75 EA	KS210	\$67.15	KS300	\$62.22	106215-7	\$27.02	1/4-20 SAE
R1360-3/4	KS100	\$15.72 EA	KS200	\$63.21	KS300	\$62.22	106215-7	\$27.02	1/4-20 SAE
R1361-3/4	KS110	\$39.75 EA	KS210	\$67.15	KS300	\$62.22	106215-7	\$27.02	1/4-20 SAE
R1370-1	KS120	\$30.74 EA	KS220	\$90.73	KS310	\$65.81	106215-5	\$30.61	3/8-16 SAE
R1371-1	KS130	\$39.75 EA	KS230	\$95.69	KS310	\$65.81	106215-5	\$30.61	3/8-16 SAE
R1380-1-1/4	KS140	\$24.66 EA	KS240	\$96.54	KS320	\$82.25	106215-5	\$30.61	3/8-16 SAE
R1380-1-1/2	KS140	\$24.66 EA	KS240	\$96.54	KS320	\$82.25	106215-5	\$30.61	3/8-16 SAE
R1380-2	KS140	\$24.66 EA	KS240	\$96.54	KS320	\$82.25	106215-5	\$30.61	3/8-16 SAE
R1381-1-1/4	KS150	\$34.73 EA	KS250	\$103.75	KS320	\$82.25	106215-5	\$30.61	3/8-16 SAE
R1381-1-1/2	KS150	\$34.73 EA	KS250	\$103.75	KS320	\$82.25	106215-5	\$30.61	3/8-16 SAE
R1381-2	KS150	\$34.73 EA	KS250	\$103.75	KS320	\$82.25	106215-5	\$30.61	3/8-16 SAE
RM262	KS160	\$6.48 EA							
RM262P	KS160	\$6.48 EA							

\*Add suffix "V" for high temp disc & cup and \$4.29 to list.



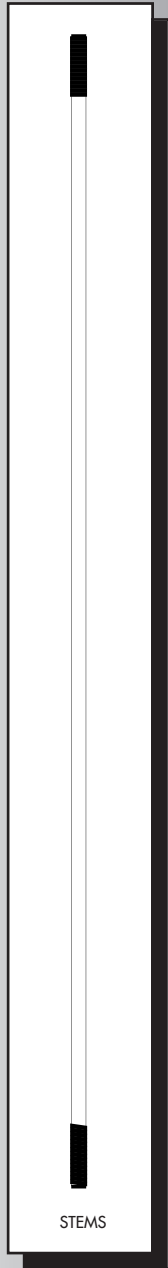
# BRASS & STAINLESS STEEL STEMS

## BRASS STEMS

LIST EACH	PART NUMBER	LENGTH	MALE THREAD BOTH ENDS
\$3.05	R450-6	6"	1/4-20 SAE (.205 DIA ROD)
\$3.22	R450-8	8"	1/4-20 SAE (.205 DIA ROD)
\$3.23	R450-10	10"	1/4-20 SAE (.205 DIA ROD)
\$4.20	R450-12	12"	1/4-20 SAE (.205 DIA ROD)
\$3.50	R450-1-6	6"	1/4-20 SAE HEAVY DUTY (.250 DIA ROD)
\$3.71	R450-1-8	8"	1/4-20 SAE HEAVY DUTY (.250 DIA ROD)
\$4.31	R450-1-10	10"	1/4-20 SAE HEAVY DUTY (.250 DIA ROD)
\$4.84	R450-1-12	12"	1/4-20 SAE HEAVY DUTY (.250 DIA ROD)
\$4.20	R451-12	12"	1/4-20 SAE X 5/16-18 SAE
\$8.07	R452-12	12"	3/8-16 SAE
\$8.07	R453-12	12"	3/8-16 SAE X 5-16/18 SAE
\$8.15	R455-12	12"	1/8" MIP
\$10.95	R457-12	12"	3/8" MIP

## STAINLESS STEEL STEMS

LIST EACH	PART NUMBER	LENGTH	MALE THREAD BOTH ENDS
\$11.34	R1310-8	8"	1/4-20 SAE
\$13.34	R1310-10	10"	1/4-20 SAE
\$17.58	R1310-12	12"	1/4-20 SAE
\$27.99	R1315-10	10"	3/8-16 SAE
\$28.81	R1315-12	12"	3/8-16 SAE

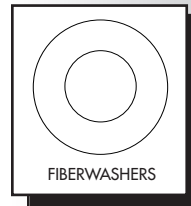


## LOCKNUTS AND FIBERWASHERS

LIST EACH	UNIT	PKG QTY	LOCKNUTS PART NUMBER	PIPE SIZE
\$6.76	PK	25	R421-6PK25	3/8"
\$7.80	PK	25	R421-8PK25	1/2"
\$8.71	PK	25	R421-12PK25	3/4"



LIST EACH	UNIT	PKG QTY	FIBERWASHERS PART NUMBER	PIPE SIZE
\$4.68	PK	<b>25</b>	RS145-6PK25	3/8"
\$5.72	PK	25	RS145-8PK25	1/2"
\$7.02	PK	25	RS145-12PK25	3/4"



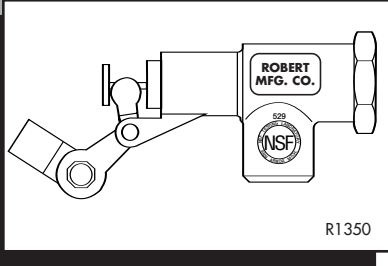
# BOB® STAINLESS STEEL FLOAT VALVES & ASSEMBLIES

ALL STANDARD BOB® STAINLESS STEEL FLOAT VALVE ASSEMBLIES consist of valve, float ball (stainless steel or polypropylene) with stainless steel stem for positive level control. For use in industrial applications where caustic fluids or sanitary conditions exist.

All BOB® Stainless Steel Float Valves are NSF Listed.

Stems and Floats AISI 316 type Stainless Steel.

For Special Assemblies list parts separately, i.e., Valve, Stem and Float Ball.

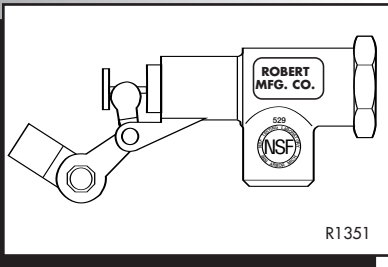


## R1350 VALVE w/DISC & CUP MADE OF VITON®

LIST EACH	PART NUMBER	PIPE SIZE		WEIGHT LBS.	FREE DISCHARGE FLOW CAPACITY	
		INLET	OUTLET		35 PSI	85 PSI
\$538.32	R1350-3/8	3/8" FIP	3/8" FIP	1.68	37.5 GPM	58 GPM
\$538.32	R1350-1/2	1/2" FIP	1/2" FIP	1.63	37.5 GPM	58 GPM
\$538.32	R1350-3/4	3/4" FIP	3/4" FIP	1.56	37.5 GPM	58 GPM

## R1350 VALVE w/STEM & FLOAT

LIST EACH	ASSEMBLY NUMBER	PIPE SIZE		FLOAT BALL	STEM	WEIGHT LBS.	MAX. INLET PRESSURE
		INLET	OUTLET				
\$592.62	R1350-3/8-5	3/8" FIP	3/8" FIP	R1340-5	1/4-20X10"	2.69	85 PSI
\$592.62	R1350-1/2-5	1/2" FIP	1/2" FIP	R1340-5	1/4-20X10"	2.63	85 PSI
\$592.62	R1350-3/4-5	3/4" FIP	3/4" FIP	R1340-5	1/4-20X10"	2.56	85 PSI

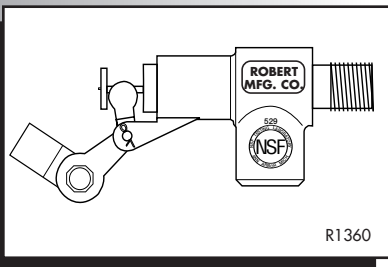


## R1351 VALVE w/DISC & CUP MADE OF TEFLON®

LIST EACH	PART NUMBER	PIPE SIZE		WEIGHT LBS.	FREE DISCHARGE FLOW CAPACITY	
		INLET	OUTLET		35 PSI	85 PSI
\$547.79	R1351-3/8	3/8" FIP	3/8" FIP	1.68	37.5 GPM	58 GPM
\$547.79	R1351-1/2	1/2" FIP	1/2" FIP	1.63	37.5 GPM	58 GPM
\$547.79	R1351-3/4	3/4" FIP	3/4" FIP	1.56	37.5 GPM	58 GPM

## R1351 VALVE w/STEM & FLOAT

LIST EACH	ASSEMBLY NUMBER	PIPE SIZE		FLOAT BALL	STEM	WEIGHT LBS.	MAX. INLET PRESSURE
		INLET	OUTLET				
\$602.13	R1351-3/8-5	3/8" FIP	3/8" FIP	R1340-5	1/4-20X10"	2.69	85 PSI
\$602.13	R1351-1/2-5	1/2" FIP	1/2" FIP	R1340-5	1/4-20X10"	2.63	85 PSI
\$602.13	R1351-3/4-5	3/4" FIP	3/4" FIP	R1340-5	1/4-20X10"	2.56	85 PSI



## R1360 VALVE w/DISC & CUP MADE OF VITON®

LIST EACH	PART NUMBER	PIPE SIZE		WEIGHT LBS.	FREE DISCHARGE FLOW CAPACITY	
		INLET	OUTLET		35 PSI	85 PSI
\$538.32	R1360-3/4	3/4" MIP	3/4" FIP	1.31	37.5 GPM	58 GPM

## R1360 VALVE w/STEM & FLOAT

LIST EACH	ASSEMBLY NUMBER	PIPE SIZE		FLOAT BALL	STEM	WEIGHT LBS.	MAX. INLET PRESSURE
		INLET	OUTLET				
\$592.62	R1360-3/4-5	3/4" MIP	3/4" FIP	R1340-5	1/4-20X10"	2.31	85 PSI

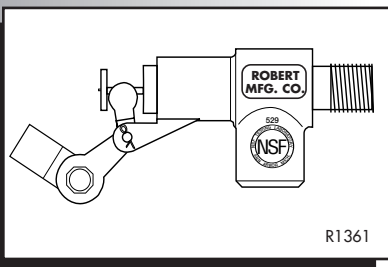
## R1361 VALVE w/DISC & CUP MADE OF TEFLON®

LIST EACH	PART NUMBER	PIPE SIZE		WEIGHT LBS.	FREE DISCHARGE FLOW CAPACITY	
		INLET	OUTLET		35 PSI	85 PSI
\$547.79	R1361-3/4	3/4" MIP	3/4" FIP	1.31	37.5 GPM	58 GPM

## R1361 VALVE w/STEM & FLOAT

LIST EACH	ASSEMBLY NUMBER	PIPE SIZE		FLOAT BALL	STEM	WEIGHT LBS.	MAX. INLET PRESSURE
		INLET	OUTLET				
\$602.13	R1361-3/4-5	3/4" MIP	3/4" FIP	R1340-5	1/4-20X10"	2.31	85 PSI

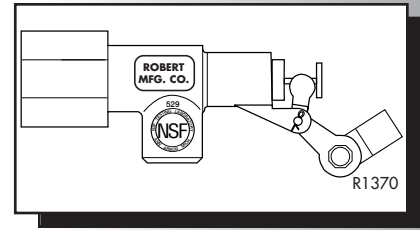
- Viton® is a registered trademark of DuPont-Dow Elastomers.
- Teflon® is a registered trademark of DuPont.



# BOB® STAINLESS STEEL FLOAT VALVES & ASSEMBLIES

## R1370 VALVE w/DISC MADE OF VITON® & CUP MADE OF TEFLON®

LIST EACH	PART NUMBER	PIPE SIZE		WEIGHT LBS.	FREE DISCHARGE FLOW CAPACITY	
		INLET	OUTLET		35 PSI	85 PSI
\$585.55	R1370-1	1" FIP	3/4" FIP	1.5	52.5 GPM	71.1 GPM



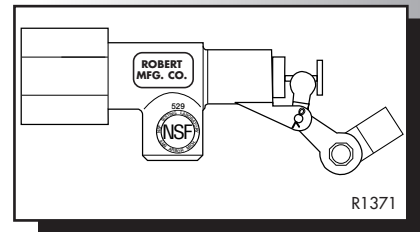
## R1370 VALVE w/STEM & FLOAT

- 106272-2 Adapter Included

LIST EACH	ASSEMBLY NUMBER	PIPE SIZE		FLOAT BALL	STEM	WEIGHT LBS.	MAX. INLET PRESSURE
		INLET	OUTLET				
\$733.31	R1370-1-5	1" FIP	3/4" FIP	R1340-8	3/8-16X10"	3.44	85 PSI

## R1371 VALVE w/DISC & CUP MADE OF TEFLON®

LIST EACH	PART NUMBER	PIPE SIZE		WEIGHT LBS.	FREE DISCHARGE FLOW CAPACITY	
		INLET	OUTLET		35 PSI	85 PSI
\$593.63	R1371-1	1" FIP	3/4" FIP	1.5	52.5 GPM	71.1 GPM



## R1371 VALVE w/STEM & FLOAT

- 106272-2 Adapter Included

LIST EACH	ASSEMBLY NUMBER	PIPE SIZE		FLOAT BALL	STEM	WEIGHT LBS.	MAX. INLET PRESSURE
		INLET	OUTLET				
\$741.42	R1371-1-5	1" FIP	3/4" FIP	R1340-8	3/8-16X10"	3.44	85 PSI

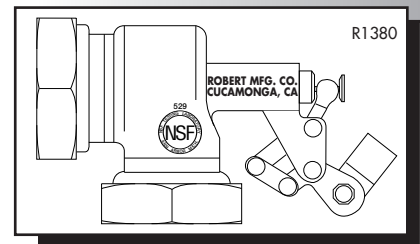
## R1380 VALVE w/DISC & CUP MADE OF VITON®

LIST EACH	PART NUMBER	PIPE SIZE		WEIGHT LBS.	FREE DISCHARGE FLOW CAPACITY	
		INLET	OUTLET		35 PSI	85 PSI
\$1077.54	R1380-1-1/4	1-1/4" FIP	1-1/4" FIP	4.25	112 GPM	180 GPM
\$1077.54	R1380-1-1/2	1-1/2" FIP	1-1/2" FIP	4.25	112 GPM	180 GPM
\$1077.54	R1380-2	2" FIP	2" FIP	4.25	112 GPM	180 GPM

## R1380 VALVE w/STEM & FLOAT

- 106272-2 Adapter Included

LIST EACH	ASSEMBLY NUMBER	PIPE SIZE		FLOAT BALL	STEM	WEIGHT LBS.	MAX. INLET PRESSURE
		INLET	OUTLET				
\$1235.55	R1380-1-1/4-5	1-1/4" FIP	1-1/4" FIP	R1340-8	3/8-16X12"	6.25	100 PSI
\$1235.55	R1380-1-1/2-5	1-1/2" FIP	1-1/2" FIP	R1340-8	3/8-16X12"	6.25	100 PSI
\$1235.55	R1380-2-5	2" FIP	2" FIP	R1340-8	3/8-16X12"	6.25	100 PSI

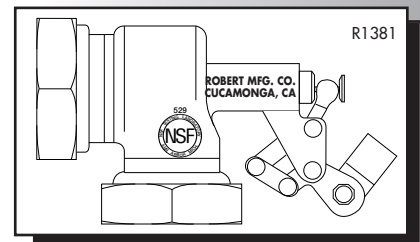


## R1381 VALVE w/DISC MADE OF TEFLON® & CUP MADE OF VITON®

LIST EACH	PART NUMBER	PIPE SIZE		WEIGHT LBS.	FREE DISCHARGE FLOW CAPACITY	
		INLET	OUTLET		35 PSI	85 PSI
\$1100.50	R1381-1-1/4	1-1/4" FIP	1-1/4" FIP	4.25	112 GPM	180 GPM
\$1100.50	R1381-1-1/2	1-1/2" FIP	1-1/2" FIP	4.25	112 GPM	180 GPM
\$1100.50	R1381-2	2" FIP	2" FIP	4.25	112 GPM	180 GPM

## R1381 VALVE w/STEM & FLOAT

LIST EACH	ASSEMBLY NUMBER	PIPE SIZE		FLOAT BALL	STEM	WEIGHT LBS.	MAX. INLET PRESSURE
		INLET	OUTLET				
\$1258.50	R1381-1-1/4-5	1-1/4" FIP	1-1/4" FIP	R1340-8	3/8-16X12"	6.25	100 PSI
\$1258.50	R1381-1-1/2-5	1-1/2" FIP	1-1/2" FIP	R1340-8	3/8-16X12"	6.25	100 PSI
\$1258.50	R1381-2-5	2" FIP	2" FIP	R1340-8	3/8-16X12"	6.25	100 PSI



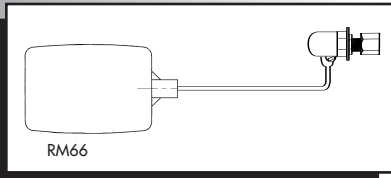
- Viton® is a registered trademark of DuPont-Dow Elastomers.
- Teflon® is a registered trademark of DuPont.

# BOBBY® FLOAT VALVE ASSEMBLIES

THE BOBBY® VALVE is a Miniature Float Valve that has been a standard of reliability in the industry for many years. Custom Designs available. Bobby® Valves are supplied with Buna-N Plunger. Suitable for 175°F. Standard orifice size 1/8". "BK" valves packed 100 per carton. Valves packed 10 per box/100 per carton, delete "BK" suffix and add \$1.10 to list.

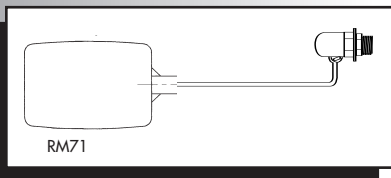
## BOBBY® BRASS FLOAT VALVE SERIES

- All Brass Body with Stainless Steel Seat



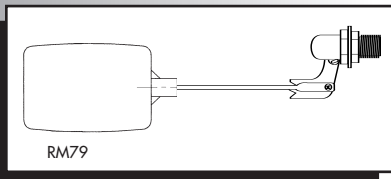
### RM66 ASSEMBLY w/STEM & POLYETHYLENE FLOAT

LIST EACH	PART NUMBER	INLET CONNECTION	OVERALL LENGTH	FLOW CAPACITY		MAX. INLET PRESSURE	WEIGHT PER 100 PCS
				35 PSI	85 PSI		
\$5.15	RM66BK	1/4" COMP	9-3/4"	1.31 GPM	2.25 GPM	125 PSI	18



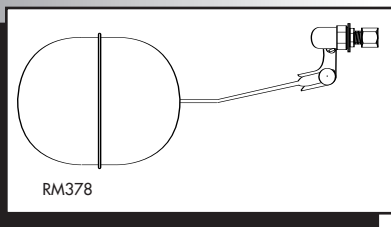
### RM71 ASSEMBLY w/STEM & POLYETHYLENE FLOAT

LIST EACH	PART NUMBER	INLET CONNECTION	OVERALL LENGTH	FLOW CAPACITY		MAX. INLET PRESSURE	WEIGHT PER 100 PCS
				35 PSI	85 PSI		
\$4.80	RM71BK	3/8" MIP TAPPED 1/8" FIP	9-3/4"	1.31 GPM	2.25 GPM	125 PSI	23



### RM79 ASSEMBLY w/STEM & POLYETHYLENE FLOAT

LIST EACH	PART NUMBER	INLET CONNECTION	OVERALL LENGTH	FLOW CAPACITY		MAX. INLET PRESSURE	WEIGHT PER 100 PCS
				35 PSI	85 PSI		
\$5.67	RM79BK	1/2" MIP TAPPED 1/4" FIP	9-3/4"	1.31 GPM	2.25 GPM	125 PSI	30

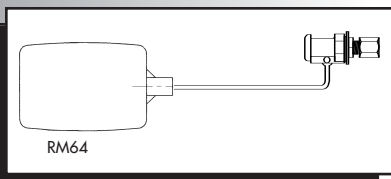


### RM378 ASSEMBLY w/STEM & POLYPROPYLENE FLOAT

LIST EACH	PART NUMBER	INLET CONNECTION	OVERALL LENGTH	FLOW CAPACITY		MAX. INLET PRESSURE	WEIGHT PER 100 PCS
				35 PSI	85 PSI		
\$10.48	RM378BK	3/8" COMP	11-1/8"	1.31 GPM	2.25 GPM	125 PSI	36

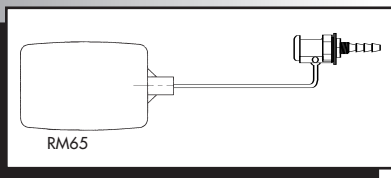
## BOBBY® COMBO FLOAT VALVE SERIES

- Combination Brass and Non-Corrosive Plastic Body with Brass Inlet



### RM64 ASSEMBLY w/STEM & POLYETHYLENE FLOAT

LIST EACH	PART NUMBER	INLET CONNECTION	OVERALL LENGTH	FLOW CAPACITY		MAX. INLET PRESSURE	WEIGHT PER 100 PCS
				35 PSI	85 PSI		
\$3.46	RM64BK	1/4" COMP	9-3/4"	1.31 GPM	2.25 GPM	125 PSI	19



### RM65 ASSEMBLY w/STEM & POLYETHYLENE FLOAT

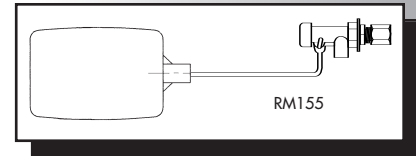
LIST EACH	PART NUMBER	INLET CONNECTION	OVERALL LENGTH	FLOW CAPACITY		MAX. INLET PRESSURE	WEIGHT PER 100 PCS
				35 PSI	85 PSI		
\$3.36	RM65BK	1/4" HOSE BARB	10"	1.31 GPM	2.25 GPM	125 PSI	19

- Heavy duty 2 piece stem assemblies available on some models upon request.
- Two piece stems are special orders except on RM79, RM378 AND RM214.

# BOBBY® FLOAT VALVE ASSEMBLIES

## RM155 ASSEMBLY w/STEM & POLYETHYLENE FLOAT

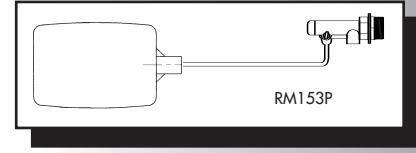
LIST EACH	PART NUMBER	INLET CONNECTION	OVERALL LENGTH	FLOW CAPACITY		MAX. INLET PRESSURE	WEIGHT PER 100 PCS
				35 PSI	85 PSI		
\$4.48	RM155BK	1/4" COMP	9-7/8"	1.31 GPM	2.25 GPM	125 PSI	30



## RM153P ASSEMBLY w/STEM & POLYETHYLENE FLOAT

- Celcon Body and Seat

LIST EACH	PART NUMBER	INLET CONNECTION	OVERALL LENGTH	FLOW CAPACITY		MAX. INLET PRESSURE	WEIGHT PER 100 PCS
				35 PSI	85 PSI		
\$6.93	RM153PBK	3/8" MIP TAPPED 1/8" FIP	9-7/8"	1.31 GPM	2.25 GPM	125 PSI	33

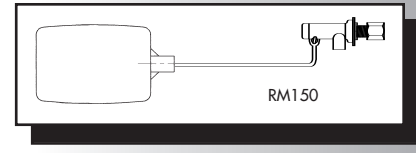


## BOBBY® "T" SERIES FLOAT VALVES

- Similar Mechanical Operation as Larger BOB® VALVES
- Forged Brass Body with Stainless Steel Seat

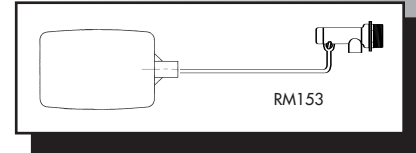
## RM150 ASSEMBLY w/STEM & POLYETHYLENE FLOAT

LIST EACH	PART NUMBER	INLET CONNECTION	OVERALL LENGTH	FLOW CAPACITY		MAX. INLET PRESSURE	WEIGHT PER 100 PCS
				35 PSI	85 PSI		
\$7.48	RM150BK	1/4" COMP	9-7/8"	1.31 GPM	2.25 GPM	125 PSI	28



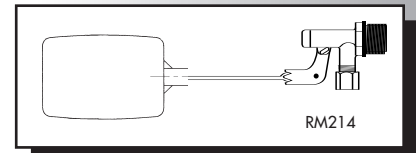
## RM153 ASSEMBLY w/STEM & POLYETHYLENE FLOAT

LIST EACH	PART NUMBER	INLET CONNECTION	OVERALL LENGTH	FLOW CAPACITY		MAX. INLET PRESSURE	WEIGHT PER 100 PCS
				35 PSI	85 PSI		
\$8.18	RM153BK	3/8" MIP TAPPED 1/8" FIP	9-7/8"	1.31 GPM	2.25 GPM	125 PSI	33



## RM214 ASSEMBLY w/STEM & POLYETHYLENE FLOAT

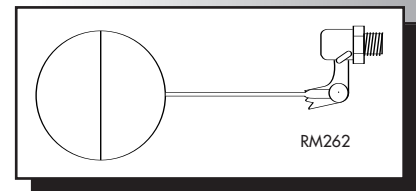
LIST EACH	PART NUMBER	INLET CONNECTION	OVERALL LENGTH	FLOW CAPACITY		MAX. INLET PRESSURE	WEIGHT PER 100 PCS
				35 PSI	85 PSI		
\$9.78	RM214BK	1/2" MIP with 3/8" COMP OUTLET	9-7/8"	3 GPM	5.5 GPM	125 PSI	38



# BOBBY® STAINLESS STEEL VALVE ASSEMBLIES

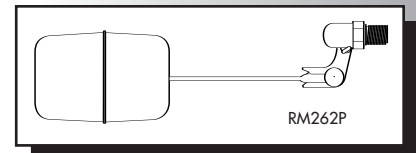
## RM262 VALVE ASSEMBLY w/STAINLESS STEEL FLOAT & SPLASH GUARD (NSF LISTED)

LIST EACH	PART NUMBER	INLET CONNECTION	OVERALL LENGTH	FLOW CAPACITY		MAX. INLET PRESSURE	WEIGHT PER 100 PCS
				35 PSI	85 PSI		
\$64.73	RM262	1/4" MIP	9"	1.31 GPM	2.25 GPM	125 PSI	12



## RM262P VALVE ASSEMBLY POLYPROPYLENE FLOAT AND SPLASH GUARD (NSF LISTED)

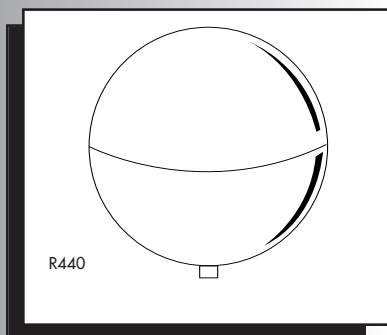
LIST EACH	PART NUMBER	INLET CONNECTION	OVERALL LENGTH	FLOW CAPACITY		MAX. INLET PRESSURE	WEIGHT PER 100 PCS
				35 PSI	85 PSI		
\$33.72	RM262P	1/4" MIP	9-3/4"	1.31 GPM	2.25 GPM	125 PSI	6



- Heavy duty 2 piece stem assemblies available on some models upon request.
- Two piece stems are special orders except on RM79, RM378 AND RM214.

# BOB® COPPER FLOATS & BRASS ADAPTERS

BOB® Copper Float Balls consist of two float halves soldered together using an inside lapping joint.  
For open tank service only. 10" & 12" floats special order w/extended lead time.

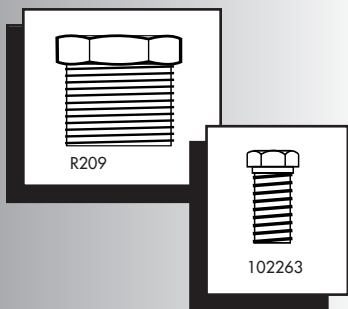


## R440 SERIES COPPER FLOATS

LIST EACH	PART NUMBER	FLOAT DIAMETER	BUOYANCY IN LBS.	FEMALE SPUD CONNECTION	WEIGHT LBS.
\$15.22	R440-3	3"	.34	1/4-20 SAE	.19
\$19.78	R440-4	4"	.80	1/4-20 SAE	.38
\$26.61	R440-5	5"	1.73	1/4-20 SAE	.56
\$35.05	R440-6	6"	3.26	1/4-20 SAE	.69
\$35.05	R441-6	6"	3.26	5/16-18 SAE	.69
\$35.05	R442-6	6"	3.26	3/8-16 SAE	.69
\$50.13	R440-7	7"	5.72	3/8" FIP	1.38
\$50.13	R441-7	7"	5.72	5/16-18 SAE	1.38
\$50.13	R442-7	7"	5.72	5/16-18 SAE	1.38
\$78.46	R440-8	8"	8.03	3/8" FIP	1.94
\$78.46	R442-8	8"	8.03	3/8-16 SAE	1.94
\$158.17	R440-10	10"	16.66	1/2" FIP	3.25
\$158.17	R442-10	10"	16.66	3/8-16 SAE	3.25
\$275.89	R440-12	12"	28.38	3/4" FIP	4.50
\$275.89	R442-12	12"	28.38	3/8-16 SAE	4.50

Float with thru-hole available upon request (except 12"). Thru hole for • 1/4" dia rod (.325 I.D. hole) add suffix "SR-250". • 3/8" dia rod (.450 I.D. hole) add suffix "SR-375" • 1/2" dia rod (.635 I.D. hole) add suffix "SR-500". • Add 50% to list, special order, no return/cancel. Allow 4-6 weeks for delivery.

LIST EACH	PART NUMBER	FLOAT DIAMETER	LENGTH	BUOYANCY IN OZS.	FEMALE SPUD CONNECTION	WEIGHT OZS.
\$61.73	RM141 (COPPER)	4"	7"	35.00	1/4-20 SAE	9.58



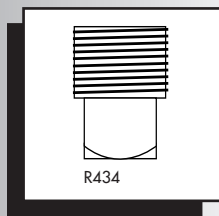
## R209 SERIES Adapter

LIST EACH	PART NUMBER	THREAD COMBINATION
\$.90	R209-3/8X1/8	3/8" MIP X 1/8" FIP
\$.64	R209-3/8X1/4	3/8" MIP X 1/4" FIP

## 102263 SERIES Adapter

• Adapts 8-32 Stem to 1/4-20 SAE MALE for Larger Floats

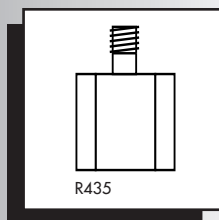
LIST EACH	PART NUMBER
\$.66	102263-1 (BRASS)
\$3.01	102263-2 (STAINLESS STEEL)



## R434 SERIES PLUG Adapter

• Plug to Adapt Machine Thread Stems to Floats Having Pipe Threads

LIST EACH	PART NUMBER	THREAD COMBINATION	LIST EACH	PART NUMBER	THREAD COMBINATION
\$3.19	R434-0	1/4-20 SAE X 3/8" MIP	\$3.12	R434-11	3/8-16 SAE X 3/8" MIP
\$3.38	R434-1	5/16-18 SAE X 3/8" MIP			



## R435 SERIES Adapter

LIST EACH	PART NUMBER	THREAD COMBINATION
\$8.02	R435-1	1/4-20 SAE X 1/8" FIP
\$8.02	R435-4	1/4-20 SAE X 5/16-18 SAE FEM
\$8.02	R435-5	1/4-20 SAE X 3/8-16 SAE FEM

**QUESTIONS?  
TECHNICAL ADVICE?  
CONTACT OUR APPLICATIONS DEPARTMENT.  
(800) 877-6237**

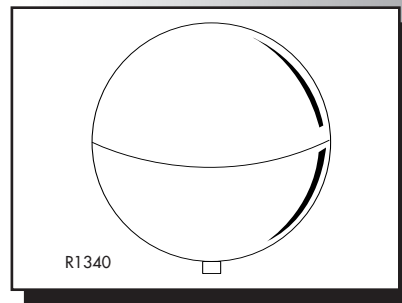
# BOB® STAINLESS STEEL FLOATS & ADAPTERS

Suitable for use in corrosive fluids where high pressure or extreme temperatures may exist.

• Floats Consist of AISI 316 Stainless Steel • 7", 10" & 12" Special Order w/Extended Lead Times.

## R1340 SERIES

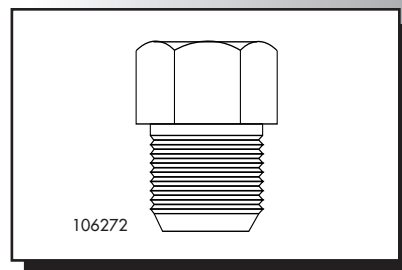
LIST EACH	PART NUMBER	FLOAT DIAMETER	BUOYANCY IN LBS.	FEMALE SPUD CONNECTION	WEIGHT LBS.
\$27.39	R1340-3	3"	.21	1/4-20 SAE	.19
\$36.10	R1340-4	4"	.65	1/4-20 SAE	.44
\$44.75	R1340-5	5"	1.55	1/4-20 SAE	.81
\$55.36	R1340-6	6"	2.15	1/4-20 SAE	1.19
\$106.66	R1340-7	7"	3.09	3/8" FIP	1.75
\$108.20	R1340-8	8"	6.44	3/8" FIP	1.81
\$320.06	R1340-10	10"	11.63	1/2" FIP	7.19
\$542.83	R1340-12	12"	22.25	3/4" FIP	9.75



Float with thru-hole available upon request (except 7", 10" & 12"). Thru hole for • 1/4" dia rod (.300 I.D. hole) add suffix "SR-250" • 3/8" dia rod (.402 I.D. hole) add suffix "SR-375" • 1/2" dia rod (.555 I.D. hole) add suffix "SR-500". Add 50% to list, special order, no return/cancel. Allow 4-6 weeks for delivery.

## 106272 SERIES Adapter

LIST EACH	PART NUMBER	THREAD COMBINATION	LIST EACH	PART NUMBER	THREAD COMBINATION
\$30.02	106272-1	1/4-20 SAE X 3/8" MIP	\$30.04	106272-7	3/8-16 SAE X 3/4" MIP
\$30.02	106272-2	3/8-16 SAE X 3/8" MIP	\$30.04	106272-12	3/8" FIP X 1/2" MIP
\$30.02	106272-3	1/8" FIP X 3/8" MIP	\$30.04	106272-13	5/16" FIP X 3/8" MIP



# BOB® POLYPRO FLOATS

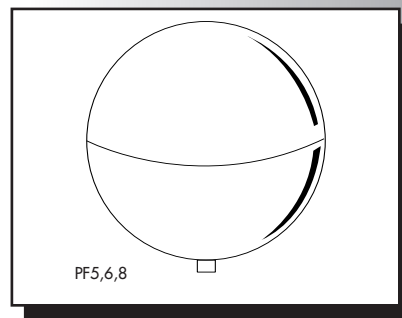
BOB® Polypropylene Floats are corrosion resistant, lightweight and suitable for a broad range of destructive fluids.

Standard color is Natural. PF5, PF6, PF8 models colored black for ultra violet light protection.

Suitable for 175°F. For open tank service only.

## PF5 MODEL (POLYPROPYLENE)

LIST EACH	PART NUMBER	DESCRIPTION	DIAM.	FEM. SPUD CONN.	BUOYANCY OZ.	WEIGHT OZ.
\$8.29	PF5	SPHERICAL	5"	1/4-20	34.70	2.8



## PF6 MODEL (POLYPROPYLENE)

LIST EACH	PART NUMBER	DESCRIPTION	DIAM.	FEM. SPUD CONN.	BUOYANCY OZ.	WEIGHT OZ.
\$9.79	PF6	SPHERICAL	6"	1/4-20	61.00	4.5
\$9.79	PF6-7	SPHERICAL	6"	5/16-18	61.00	4.5

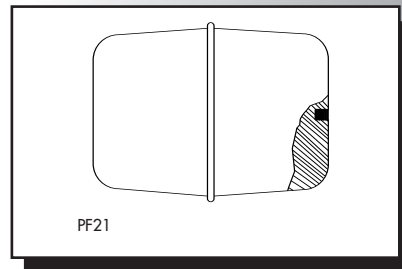
## PF8 MODEL (POLYPROPYLENE)

LIST EACH	PART NUMBER	DESCRIPTION	DIAM.	FEM. SPUD CONN.	BUOYANCY OZ.	WEIGHT OZ.
\$11.47	PF8	SPHERICAL	8"	3/8" FIP	158.00	16.00
\$11.47	PF8-1	SPHERICAL	8"	1/4-20	158.00	16.00
\$11.47	PF8-2	SPHERICAL	8"	3/8-16	158.00	16.00
\$11.47	PF8-7	SPHERICAL	8"	5/16-18	158.00	16.00

Float available with thru-hole upon request. Add 40% to list.

## PF21 MODEL (POLYPROPYLENE)

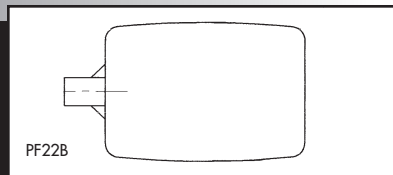
LIST EACH	PART NUMBER	DESCRIPTION	LENGTH	WIDTH	HEIGHT	FEM. SPUD CONN.	BUOYANCY OZ.	WEIGHT OZ.
\$2.08	PF21	LUX	3-3/4"	2-5/8"	2-1/4"	8-32	9.23	1.1
\$2.21	PF21-1	LUX	3-3/4"	2-5/8"	2-1/4"	1/4-20	9.23	1.1



BOB® STAINLESS STEEL FLOATS & ADAPTERS

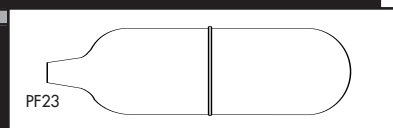
BOB® POLYPROPYLENE FLOATS

# BOB® POLYPRO FLOATS



## PF22B MODEL (POLYETHYLENE • Blow Molded)

LIST EACH	PART NUMBER	DESCRIPTION	LENGTH	WIDTH	HEIGHT	FEM. SPUD CONN.	BUOYANCY OZ.	WEIGHT OZ.
\$1.85	PF22B	MINI LUX	3-3/4"	2-5/8"	1-7/16"	8-32	6.47	.75



## PF23 MODEL (POLYPROPYLENE)

LIST EACH	PART NUMBER	DESCRIPTION	LENGTH	FEM. SPUD CONN.	BUOYANCY OZ.	WEIGHT OZ.
\$2.09	PF23	CYLINDRICAL	5-1/4"	1-1/2" 8-32	5.04	.73



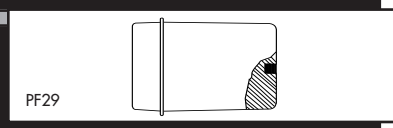
## PF24 MODEL (POLYPROPYLENE)

LIST EACH	PART NUMBER	DESCRIPTION	HEIGHT	DIAM.	FEM. SPUD CONN.	BUOYANCY OZ.	WEIGHT OZ.
\$1.97	PF24	PAN	1-3/4"	2-3/4"	8-32	5.27	.89



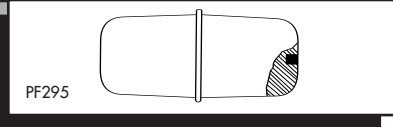
## PF26 MODEL (POLYPROPYLENE)

LIST EACH	PART NUMBER	DESCRIPTION	LENGTH	DIAM.	FEM. SPUD CONN.	BUOYANCY OZ.	WEIGHT OZ.
\$2.09	*PF26	CYLINDRICAL	3-3/4"	1-1/2"	**	3.26	.73



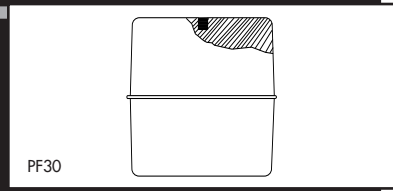
## PF29 AND PF29S MODEL (POLYPROPYLENE)

LIST EACH	PART NUMBER	DESCRIPTION	LENGTH	DIAM.	FEM. SPUD CONN.	BUOYANCY OZ.	WEIGHT OZ.
\$1.73	PF29	CYLINDRICAL	2-5/8"	1-1/2"	8-32	2.14	.50
\$2.14	PF29-1	CYLINDRICAL	2-5/8"	1-1/2"	SLOTTED	2.14	.50
\$1.97	PF29S	CYLINDRICAL	3"	1-1/2"	8-32	2.78	.53
\$2.14	PF29S-1	CYLINDRICAL	3"	1-1/2"	SLOTTED	2.78	.53



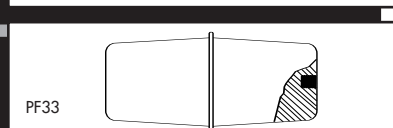
## PF30 MODEL (POLYPROPYLENE)

LIST EACH	PART NUMBER	DESCRIPTION	LENGTH	WIDTH	HEIGHT	FEM. SPUD CONN.	BUOYANCY OZ.	WEIGHT OZ.
\$1.97	PF30	FLAT RECTANGLE	2-1/4"	3-3/8"	1"	8-32	4.26	.78



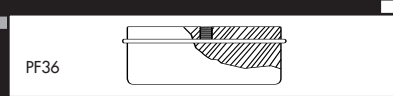
## PF31 MODEL (POLYPROPYLENE)

LIST EACH	PART NUMBER	DESCRIPTION	LENGTH	DIAM.	FEM. SPUD CONN.	BUOYANCY OZ.	WEIGHT OZ.
\$1.88	*PF31-1	CYLINDRICAL	3-3/4"	2"	8-32	5.68	.91



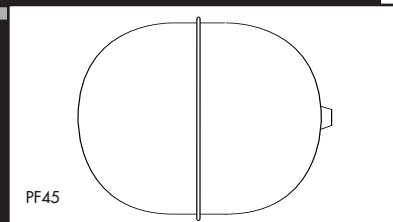
## PF33 MODEL (POLYPROPYLENE)

LIST EACH	PART NUMBER	DESCRIPTION	LENGTH	WIDTH	HEIGHT	FEM. SPUD CONN.	BUOYANCY OZ.	WEIGHT OZ.
\$1.97	PF33	SQUARE PROFILE	2-3/4"	1-1/4"	1-1/4"	SLOTTED	1.73	.40



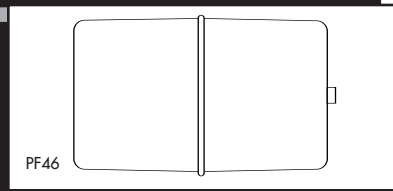
## PF36 MODEL (POLYPROPYLENE)

LIST EACH	PART NUMBER	DESCRIPTION	HEIGHT	DIAM.	FEM. SPUD CONN.	BUOYANCY OZ.	WEIGHT OZ.
\$1.73	PF36	MICRO PAN	3/4"	2"	6-32	1.00	.40
\$1.73	PF36-1	MICRO PAN	1-7/16"	2"	6-32	2.69	.50



## PF45 MODEL (POLYPROPYLENE)

LIST EACH	PART NUMBER	DESCRIPTION	LENGTH	DIAM.	FEM. SPUD CONN.	BUOYANCY OZ.	WEIGHT OZ.
\$3.91	PF45	OVAL	5"	4"	1/4-20	24.30	2.5



## PF46 MODEL (POLYPROPYLENE)

LIST EACH	PART NUMBER	DESCRIPTION	LENGTH	DIAM.	FEM. SPUD CONN.	BUOYANCY OZ.	WEIGHT OZ.
\$8.14	PF46	CYLINDRICAL	6"	4"	1/4-20	39.10	4.1

\*Can be weighted per requirement. \*\*Universal connection 6-32 or 8-32.



# BOBBY® VALVE RESERVOIR ASSEMBLIES

## FOR ICEMAKING MACHINES

• NATIONAL SANITATION FOUNDATION TESTING LABORATORY listed as Food Service Equipment • All plastic materials FDA approved • Polycarbonate Reservoir • All models - Length 5" - Height 4-1/2" - Width 2-1/2" • Packed 50 pieces per carton

### 107-2211 ASSEMBLY

LIST EACH	PART NUMBER	VERTICAL INLET CONNECTION	FLOW CAPACITY AT 50 PSI	WEIGHT PER EACH
\$33.38	107-2211	1/4" COMP. NUT BRASS BODY	.52 GPM	.5 LBS

### 107P-2211 ASSEMBLY

LIST EACH	PART NUMBER	VERTICAL INLET CONNECTION	FLOW CAPACITY AT 50 PSI	WEIGHT PER EACH
\$31.79	107P-2211	1/4" COMP. NUT CELCON BODY	.52 GPM	.5 LBS

### 107-2221 ASSEMBLY

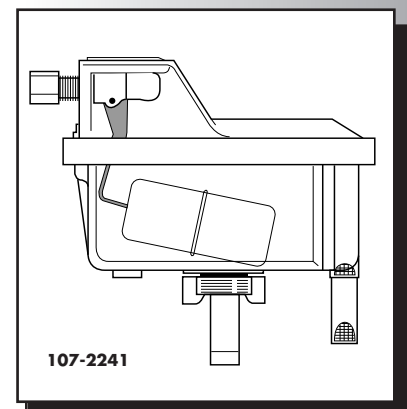
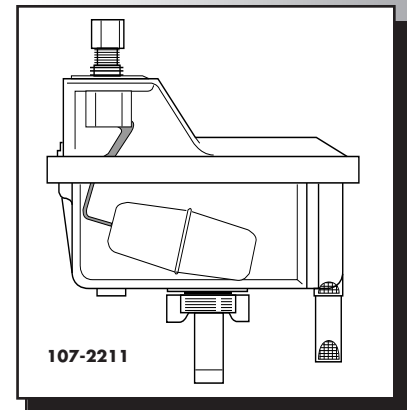
LIST EACH	PART NUMBER	VERTICAL INLET CONNECTION	FLOW CAPACITY AT 50 PSI	WEIGHT PER EACH
\$34.92	107-2221	1/4" COMP. WING NUT BRASS BODY	.52 GPM	.6 LBS

### 107P-2221 ASSEMBLY

LIST EACH	PART NUMBER	VERTICAL INLET CONNECTION	FLOW CAPACITY AT 50 PSI	WEIGHT PER EACH
\$33.26	107P-2221	1/4" COMP. WING NUT CELCON BODY	.52 GPM	.6 LBS

### 107-2241 ASSEMBLY

LIST EACH	PART NUMBER	HORIZONTAL INLET CONNECTION	FLOW CAPACITY AT 50 PSI	WEIGHT PER EACH
\$33.38	107-2241	1/4" COMP. NUT COMBO BODY	.52 GPM	.5 LBS



## FOR ICEMAKING MACHINES WITH LARGER CAPACITIES

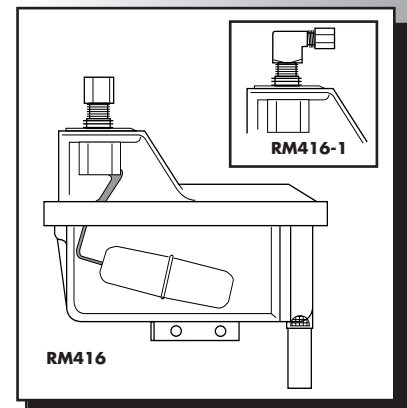
• NATIONAL SANITATION FOUNDATION TESTING LABORATORY listed as Food Service Equipment • All plastic materials FDA approved • Polycarbonate Reservoir • All models - Length 6" - Height 4-3/4" - Width 3-1/2" • Packed 35 pieces per carton

### RM416 ASSEMBLY

LIST EACH	PART NUMBER	VERTICAL INLET CONNECTION	FLOW CAPACITY AT 50 PSI	WEIGHT PER EACH
\$45.05	RM416	1/4" COMP. NUT BRASS BODY	.52 GPM	.8 LBS

### RM416-1 ASSEMBLY

LIST EACH	PART NUMBER	VERTICAL INLET CONNECTION	FLOW CAPACITY AT 50 PSI	WEIGHT PER EACH
\$48.22	RM416-1	1/4" COMP. ELBOW BRASS BODY	.52 GPM	.8 LBS



# BOBBY® VALVES FOR RESERVOIR ASSEMBLIES & ACCESSORIES

## RM292 & RM292P SERIES

NSF LISTED

### VERTICAL INLET W/ALL BRASS BODY & STAINLESS STEEL ARM

LIST EACH	PART NUMBER	INLET CONNECTION	RESERVOIR ASSEMBLY	ORIFICE	WEIGHT
\$9.03	RM292-1	1/4" COMP. NUT	107-2211	.052	.3 LBS
\$10.29	RM292-2	1/4" COMP. WING NUT	107-2221	.052	.3 LBS

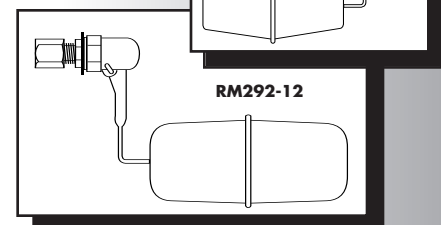
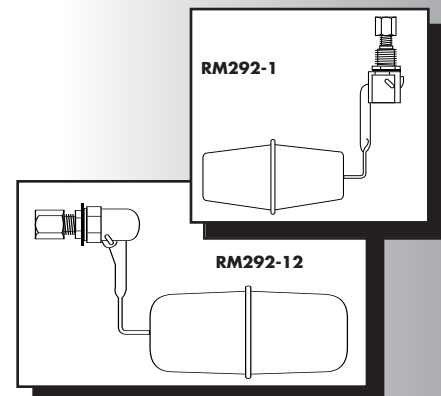
### VERTICAL NICKEL PLATED INLET W/CELCON BODY & STAINLESS STEEL ARM

\$8.60	RM292P	1/4" COMP. NUT	107P-2211	.063	.3 LBS
\$9.80	RM292P-1	1/4" COMP. WING NUT	107P-2221	.063	.3 LBS

### HORIZONTAL INLET "BOBBY COMBO"

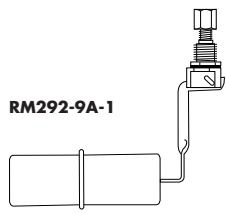
\$9.03	RM292-12	1/4" COMP. NUT	107-2241	.052	.3 LBS
--------	----------	----------------	----------	------	--------

RM292-1 and RM292-2 use PF33 float. RM292P, RM292P-1, and RM292-12 use PF29S-1 float.



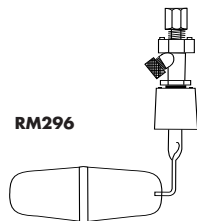
## BOBBY® VALVES FOR RESERVOIR ASSEMBLIES &amp; ACCESSORIES

RM292-9A-1

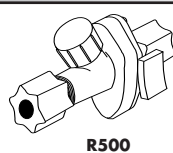
**RM292 SERIES****NSF LISTED****VERTICAL INLET W/ALL BRASS BODY & STAINLESS STEEL ARM**

LIST EACH	PART NUMBER	INLET CONNECTION	RESERVOIR ASSEMBLY	ORIFICE	WEIGHT
\$10.47	RM292-9A-1	1/4" COMP. NUT	RM416	.052	.3 LBS
\$11.39	RM292-25A	1/8" MIP	RM416-1	.052	.3 LBS

RM296

**RM296 SERIES****VERTICAL INLET PLASTIC VALVE FOR 1/4" PLASTIC TUBING, SPLASH GUARD STAINLESS STEEL ARM, AND INLINE FILTER WITH REMOVABLE STAINLESS MESH SCREEN**

LIST EACH	PART NUMBER	INLET CONNECTION	ORIFICE	WEIGHT
\$16.65	RM296-1	1/4" COMP.	.052	.4 LBS
\$16.65	RM296-2	1/4" COMP.	.093	.4 LBS

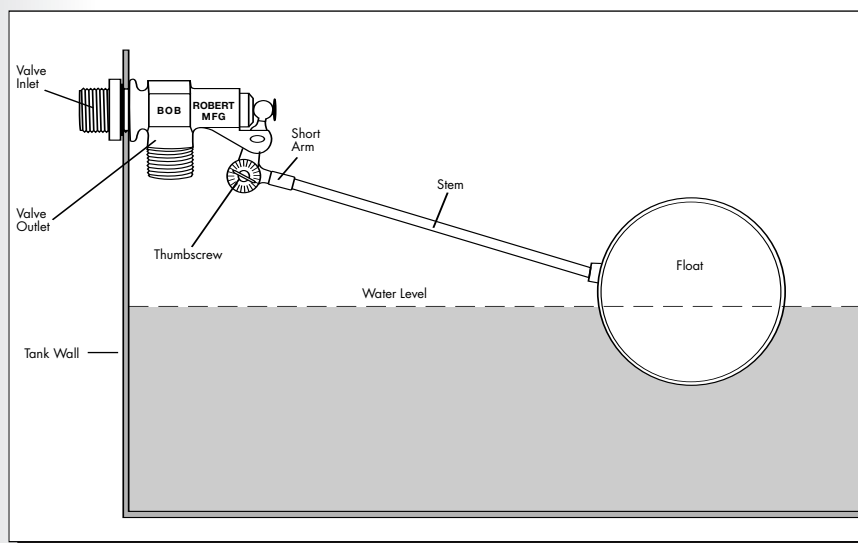


R500

**R500-1/4****PLASTIC INLINE FILTER FOR 1/4" PLASTIC TUBING WITH REMOVABLE STAINLESS MESH SCREEN**

LIST EACH	PART NUMBER	INLET & OUTLET CONNECTION	WEIGHT
\$7.02	R500-1/4	1/4" COMP.	.05 LBS

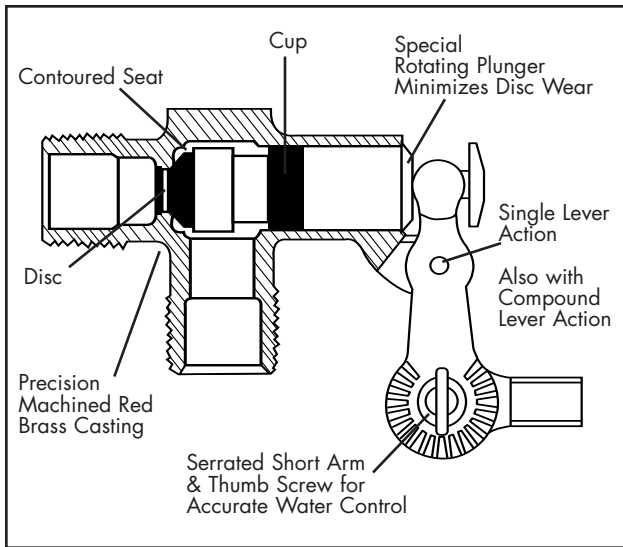
## INSTALLATION INSTRUCTIONS



1. Attach valve to tank wall and connect valve inlet to water supply.
2. Valve outlet must be 90° to water level for bind-free operation.
3. Screw stem and float to short arm.
4. Rotate arm and stem for desired water level, tighten short arm thumbscrew.

**QUESTIONS?  
TECHNICAL ADVICE?  
CONTACT OUR APPLICATIONS DEPARTMENT.  
(800) 877-6237**

# Designers & Manufacturers of Float Valves & Assemblies for Over 60 Years



General Guidelines for Disc & Cup Requirements			
Working Conditions	*Buna-N (Hycar)	**Viton® or Silicone	***Teflon®
Max. - Heat Temp.	180°F.	450°F.	550°F.
Max. - Cold Temp.	35°F.	- 45°F.	- 60°F.
Gasoline-Kerosene	Excellent	Excellent	Excellent
Lubricants-Oils	Poor	Excellent	Excellent
Solvents	Poor	Excellent	Excellent
Abrasion	Excellent	Good	Poor
Hydraulic Fluids	Poor	Excellent	Excellent
Alcohol	Excellent	Excellent	Excellent
Acids	Some (check type)	Most (check type)	Excellent

\*Buna-N Standard All Brass Valves (Gray Hycar also available)  
 \*\*All Stainless Steel Valve Standard with Disc and Cup made of Viton®  
 \*\*\*Stainless Steel Valves Also Available with Disc and Cup made of Teflon®

**SPECIAL DESIGN CAN BE ENGINEERED AND TESTED TO O.E.M. SPECIFICATIONS**

## BOB® FLOW CAPACITIES

Bob Valves	(G.P.M.) at Various Inlet Pressures						
	85 PSI	65 PSI	Pressure per Square Inch		25 PSI	15 PSI	5 PSI
			55 PSI	35 PSI			
R400-3/8"	13	11.5	10.4	9	7.8	6	4.2
R400-1/2"	22	18	16	12	10	8.5	5.7
R400-3/4"	39.9	32.5	28.8	21	15.2	12.1	9
R400-1"	68.5	61	55	43.5	37.8	24	15.1
RF400-1"	68.5	61	55	43.5	37.8	24	15.1
R600 (ALL)	120	105	98	82	68	53	27.5
RF605T-1/2&3/4"	27	24	20.5	18	15	12	8
RF605T-1"	110	96	80	63	47	36	27
R605T (ALL)	180	152	140	112	84	62.5	27.5
R610 (ALL)	180	152	140	112	84	62.5	27.5
RF610 (ALL)	180	152	140	112	84	62.5	27.5
R700-1/2"	22	18	16	12	10	8.5	5.7
R700-3/4"	39.9	32.5	28.8	21	15.2	12.1	9
RC810-3/8"	13	11.5	10.4	9.0	7.8	6	4.2
RC810-1/2"	22.5	20	18	14	12	9.5	5.5
RC810-3/4"	36	33	30	27	24	21	10
R810-1"	138	121	106	80	65	52.5	30
R900	SAME AS R400 SERIES (ALL SIZES)						
R1350 (ALL)	58	52	48	37.5	31	26	8
R1360	58	52	48	37.5	31	26	8
R1370	71.1	62.4	57.5	52.5	41.2	25.9	16.3
R1380 (ALL)	SAME AS R610 SERIES (ALL SIZES)						
<b>Bobby Valves</b>							
.052	64 oz.	54 oz.	39 oz.	27 oz.	21 oz.	17 oz.	11 oz.
.063	90 oz.	80 oz.	72 oz.	56 oz.	52 oz.	40 oz.	22 oz.
.093	1.5 gal.	1.4 gal.	1.3 gal.	1.03 gal.	104 oz.	80 oz.	44 oz.
.125	2.25 gal.	1.875 gal.	1.59 gal.	1.31 gal.	1 gal.	96 oz.	56 oz.

Viton® is a registered trademark of DuPont-Dow Elastomers.  
 Teflon® is a registered trademark of DuPont.

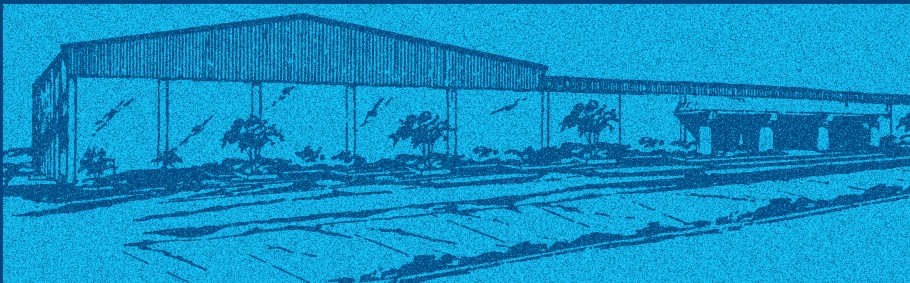
## CONDITIONS OF SALE

1. **Minimum Billing is \$75.00 Net.**
2. **Orders of Less than \$250.00 will be charged a \$15.00 Processing Fee.**
3. **Price Changes:** Prices are subject to change without notice and are based upon prices in effect at time of shipment.
4. **We Reserve the Right to Round Off Quantities to the Nearest Carton.**
5. **There will be a 10% charge for broken cartons.**
6. **Returned Goods:** No returns are to be made to Robert Manufacturing without first obtaining a return authorization number and a freight classification code number from the Company. Returns may be subject to a 25% restocking charge, plus any transportation charges incurred.
7. **Damage Claim:** Claims for damage or loss must be made within seven (7) days of receipt of order.
8. **Shipments:** Robert Manufacturing reserves the right to ship twenty percent (20%) above purchase order quantities of non-catalog listed items built to customer's specifications.

## LIMITED WARRANTY

Products manufactured by Robert Manufacturing are made to conform to all applicable codes and standards in the United States and Canada. Because Robert Manufacturing does not have control over the environment in which its' products will be used and how they are installed, the warranty on our products is limited to a one year replacement warranty. Robert Manufacturing's products will be repaired or replaced at our option within one year of the date of its first installation into service. There is no warranty for products that have been reused, have been attached to an appliance that has been moved to a different location or where original fittings supplied by Robert Manufacturing have been changed or removed. There will be no responsibility or liability accepted for any failures caused by the use of chemical products or cleaners containing chlorine and/or ammonia. Robert Manufacturing will not be liable for incidental, consequential, indirect damages or for special circumstances caused by the failure of our products even if it has been advised of the possibility of such damages. No other warranty, expressed or implied, is made with regard to products of Robert Manufacturing.

# Robert Manufacturing Co.



**10667 Jersey Boulevard**

**Rancho Cucamonga, California 91730-5110**

**909-987-4654 • 800-877-6237**

**Fax: 909-989-6911**

**E-mail: [info@robertmfg.com](mailto:info@robertmfg.com)**

**Website: <http://www.robertmfg.com>**

**Copyright 5/06**