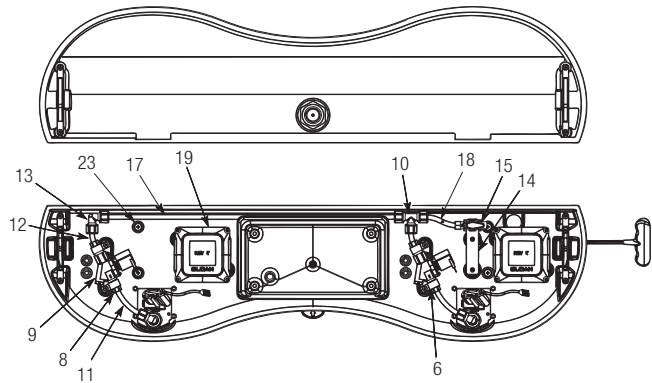
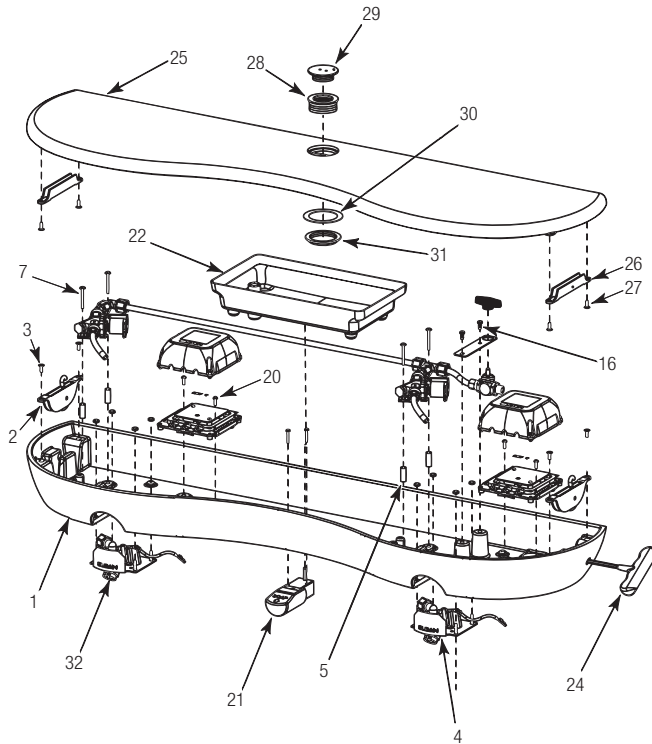


SloanStone® EW-72000

with Soap Dispenser with Filler Cap



PARTS LIST — EW-72000 SINK

Item No.	Code No.	Part No.	Description	
1.	—	EW-46	Electronics Enclosure 2 Station Machined	
2.	—	EW-41	Large Latch (2)	
3.	—	EW-27	Screw, Flat Head #10-24 x 1/2" Long (4)	
4.	—	EW-75-A	Sensor Plate Assembly (2)	
5.	—	EW-8	Spacer, #8 x 1" Long (4)	
6.	—	EW-13	Mounting Clamp for ETF-370-A Solenoid (4)	
7.	0387012	EW-9	Screw, Truss Head #8-32 x 1-1/2" Long (4)	
8.	0365249	ETF-61	Male Connector (2)	
9.	0305849PK	ETF-370-A	Solenoid Valve Assembly	
10.	—	EW-19	Compression Tee Fitting 3/8" Tube	
11.	—	EW-89	Tube, 3/8" x 3-5/8"	
12.	—	EW-89	Tube, 3/8" x 1-7/8"	
13.	—	EW-18	Compression Elbow Fitting, 3/8" Tube	
14.	—	EW-5	Mounting Bracket for Shut-off Valve	
15.	—	EW-74	Panel Mount Ball Valve - 3/8" Compression Fitting	
16.	—	EW-36	Screw, Pan Head #8-32 x 7/16" Long (SEMS) (2)	
17.	—	EW-89	Tube, 3/8" x 25-1/4"	
18.	—	EW-89	Tube, 3/8" x 3-7/8"	
19.	—	ETF-450-A	Splash Proof Junction Box Assembly	
20.	—	EW-28	Screw, Round Head #8-32 x 1/2" Long (4)	
21. †	—	ESD-255-A	Manual Soap Pump Assembly	
22. †	—	ESD-245-A	Manual Soap Reservoir Assembly	
23.	—	EW-37	Screw, Truss Head 1/4-20 x 1-1/2" (4)	
	—	EW-26	Tube Support 3/8" (5) (not shown)	
	0326045PK	MIX-135-A	Thermostatic Mixing Valve (Below Deck) (not shown)	
	—	EW-87	Flexible Supply Hose, 2 Station (not shown)	
	—	EW-82-A	Wiring Harness, 2 Station (not shown)	
	0365534PK	ETF-233	Transformer Plug Type 120V/35VA (not shown)	
	0365736	ETF-731	Vandal Proof Key, Standard and Junior (not shown)	
24.	0387096	EW-96	T-Handle Hex Wrench, 7/32"	
25.	—	EW-48-X	Cover, Electronics Enclosure, 2 Station Machined	
26.	—	EW-42	Large Encased Receiver (2)	
27.	—	EW-27	Screw, Flat Head #10-24 x 1/2" Long (4)	
28. ‡	—	ESD-242	Sleeve for Fill Cap	
29. ‡	—	ESD-241	Fill Cap for Soap Reservoir	
30. ‡	—	EW-11	Gasket - Fill Cap Sleeve (Manual Soap Reservoir)	
31. ‡	—	ESD-243	Jam Nut for Fill Cap Sleeve	
	‡	0346061	ESD-249	Fill Cap Spanner (not shown)
32.	3365757	ETF-1037-A	Spray Head CP 0.5 gpm-VP Junior Size Male Thread with Key	

† Included on models with Soap Dispenser.

‡ Included on models with Fill Cap.

— Consult factory for replacement part.