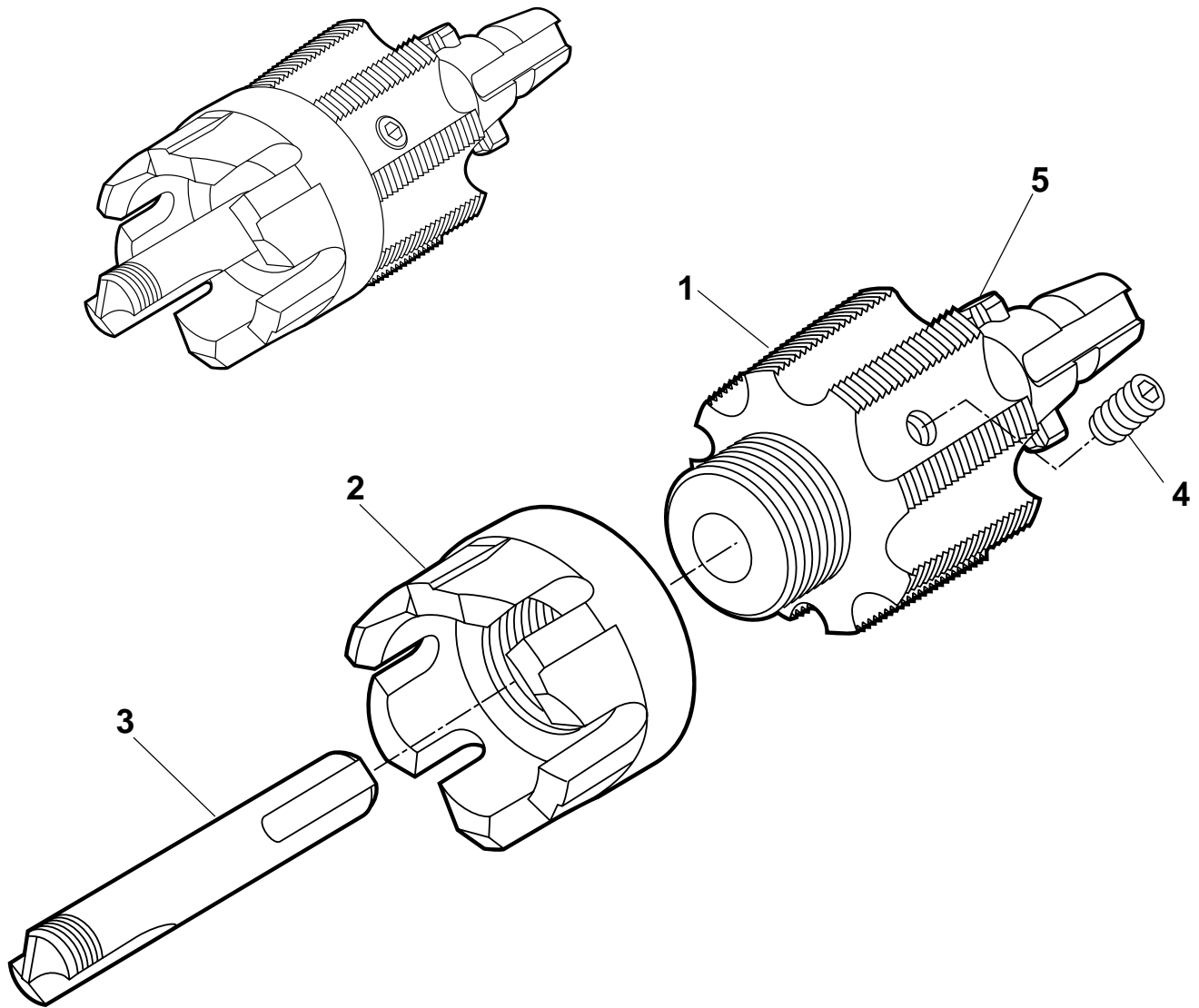




Drill Tap For Ductile & Cast Iron (1½" or 2")

Replacement Parts



Parts List

Ref. No.	Description	DT150	DT200	Qty. Used
		#04393	#04394	
1	Tap	95502	95512	1
2	Cutter	95501	95511	1
3	Pilot Drill	95500	95500	1
4	Set Screw	30178	30178	1
5	Drive Pin	30128	30128	1

Reed Manufacturing Co.
1425 West 8th St.
Erie, PA 16502 U.S.A.



Phone: 800-666-3691 or 814-452-3691
Fax: 800-456-1697 or 814-455-1697

RP-195-8