

# Weld One™

» Integral Trap Floor Drain



## Convenient

Integral trap means fewer fittings and glue joints on the job site – simply connect 2" pipe. Pre-threaded, knockout, 1/2" FIP trap primer connection. Adhesive debris cover protects strainer during rough-in.

## Versatile

Great general-purpose drain for slab installations. Multiple strainer options suitable for a variety of applications: economical polypropylene, nickel-bronze or stainless steel for finished areas, and ductile iron for heavy duty traffic.

## Dependable

Reinforced hub reduces cracking when pipe is moved. Stake anchor allows better front-side securing. Designed and made in the USA. Molded from engineered resins that stand up to job site abuse.



**Note:** 2" FIP threaded drain throat is designed for float-ball backwater device. 1-1/2" cleanout plug is pre-installed into FIP cleanout threads.

Supply Drainage Support

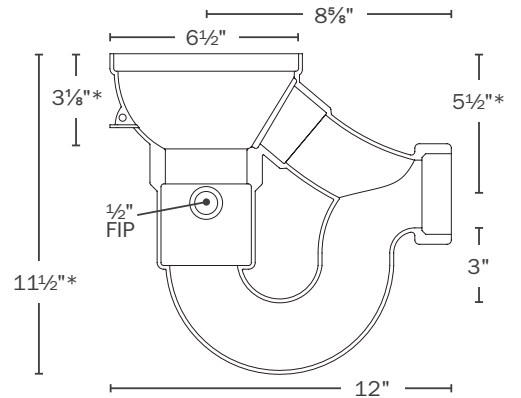
[www.siouxchief.com](http://www.siouxchief.com)

TAKE THE FIELD.





**Note:** Adhesive debris cover protects drain during pour and removes with no residue.



\*Add 5/16" for metal ring/strainer



800-P



800-A



800-PNQ

## Buying Information

ITEM NO.	DESCRIPTION	U/M	PKG.	MIN. QTY.	CASE QTY.
<b>WELD ONE WITH POLYPRO STRAINER</b>					
800-P	PVC 2" Sch. 40 Hub Weld One W/ Gray Polypro Strainer – Gray PVC	EA	B*	12	12
800-PPK	PVC 2" Sch. 40 Hub Weld One W/ White Polypro Strainer – White PVC	EA	B*	3	3
800-PBW	PVC 2" Sch. 40 Hub Weld One W/ Gray Polypro Strainer – Backwater Device Installed – Gray PVC	EA	B*	12	12
800-A	ABS 2" Sch. 40 Hub Weld One W/ Black Polypro Strainer	EA	B*	12	12
800-APK	ABS 2" Sch. 40 Hub Weld One W/ Black Polypro Strainer	EA	B*	3	3
800-ABW	ABS 2" Sch. 40 Hub Weld One W/ Black Polypro Strainer – Backwater Device Installed	EA	B*	12	12
<b>WELD ONE WITH NICKEL-BRONZE RING &amp; STRAINER</b>					
800-PNR	PVC 2" Sch. 40 Hub Weld One W/ Round Nickel-Bronze Ring & Strainer – Gray PVC	EA	B*	1	2
800-PNQ	PVC 2" Sch. 40 Hub Weld One W/ Square Nickel-Bronze Ring & Strainer – Gray PVC	EA	B*	1	2
800-ANR	ABS 2" Sch. 40 Hub Weld One W/ Round Nickel-Bronze Ring & Strainer	EA	B*	1	2
800-ANQ	ABS 2" Sch. 40 Hub Weld One W/ Square Nickel-Bronze Ring & Strainer	EA	B*	1	2
<b>WELD ONE WITH 304 STAINLESS STEEL RING &amp; STRAINER</b>					
800-PSR	PVC 2" Sch. 40 Hub Weld One W/ Round 304 Stainless Steel Ring & Strainer – Gray PVC	EA	B*	1	2
800-PSQ	PVC 2" Sch. 40 Hub Weld One W/ Square 304 Stainless Steel Ring & Strainer – Gray PVC	EA	B*	1	2
800-ASR	ABS 2" Sch. 40 Hub Weld One W/ Round 304 Stainless Steel Ring & Strainer	EA	B*	1	2
800-ASQ	ABS 2" Sch. 40 Hub Weld One W/ Square 304 Stainless Steel Ring & Strainer	EA	B*	1	2
<b>WELD ONE WITH DUCTILE IRON RING &amp; STRAINER</b>					
800-PIR	PVC 2" Sch. 40 Hub Weld One W/ Ductile Iron Ring & Strainer – Gray PVC	EA	B*	1	2
800-AIR	ABS 2" Sch. 40 Hub Weld One W/ Ductile Iron Ring & Strainer	EA	B*	1	2
<b>REPLACEMENT STRAINERS</b>					
801-PG2	Gray Polypro Strainer	EA	B*	1	25
801-P2	White Polypro Strainer	EA	B*	1	25
801-A2	Black Polypro Strainer	EA	B*	1	25
801-NR2	Round Nickel-Bronze Ring & Strainer	EA	B*	1	10
801-NQ2	Square Nickel-Bronze Ring & Strainer	EA	B*	1	10
801-SR2	Round 304 Stainless Steel Ring & Strainer	EA	B*	1	10
801-SQ2	Square 304 Stainless Steel Ring & Strainer	EA	B*	1	10
801-DR2	Round Ductile Iron Ring & Strainer	EA	B*	1	10
<b>BACKWATER DEVICE</b>					
802-7	Backwater device for 2" FIP threads	EA	B*	12	12

### PACKAGING:

B = Bulk  
C = Cut Case

\* Individually Bar-Coded



24110 South Peculiar Drive  
Peculiar, Missouri 64078  
P 1.800.821.3944  
F 1.800.758.5950

