



**Dearborn®  
Brass**

4675 W. 160th St.  
Cleveland, Ohio 44135  
Ph: (800) 321-9532  
Fax: (800) 321-9535  
www.dearbornbrass.com

**SUBMITTAL SPECIFICATION**

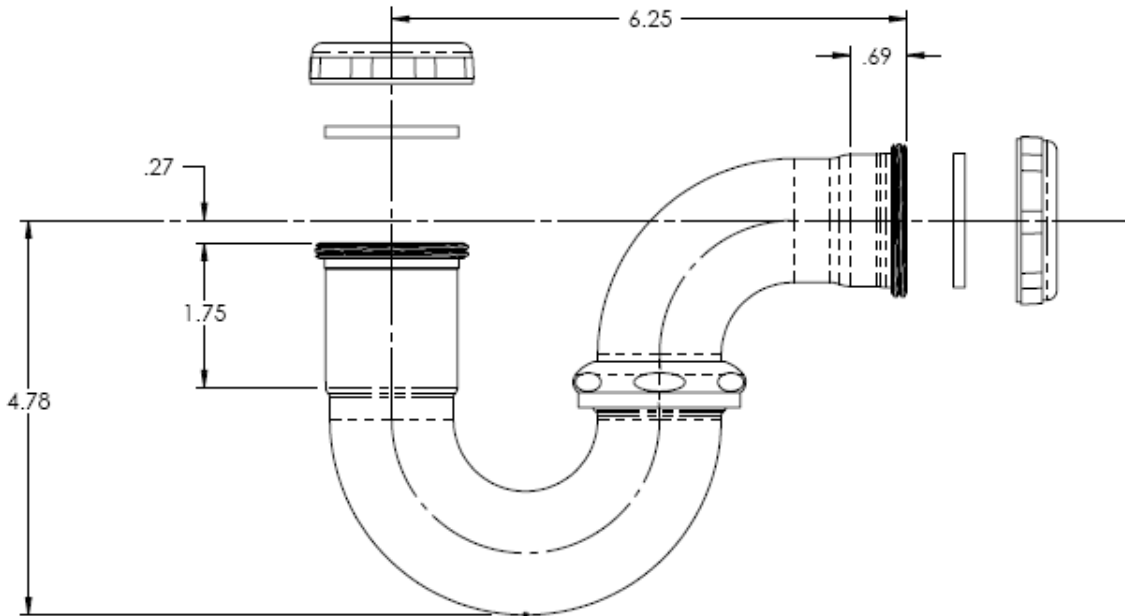
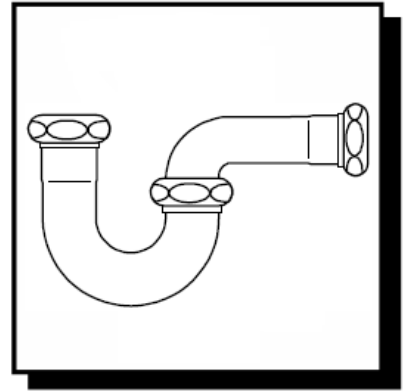
**BRASS TUBULAR  
1-½" REPAIR TRAPS**

**Engineering Specification:** Dearborn Brass 1-½" Brass Tubular Repair Traps are designed for use in tubular drain applications.

**Job Reference**

**DESCRIPTION**

- Chrome Finish
- 20 Gauge Brass
- Repair Trap
  - J-Bend
  - Repair Outlet Bend with Brass Nut
  - (3) Rubber Washers
  - (2) Zinc Nuts



✓	Product No.	Description	Carton Quantity	Carton Weight (lbs)
	702R-1	1-½" Repair Trap – 20 Gauge	10	10

Data is subject to manufacturing tolerances.