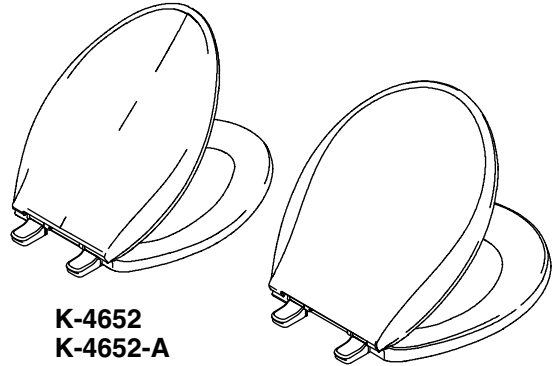


## LUSTRA™ Q2 ADVANTAGE™

### Features

- Quick-Release™ hinge caps snap open and seat pulls forward for removal
- Quick-Attach™ stainless steel fastener allows for top-mount screwdriver only install
- Solid polypropylene plastic
- Closed-front
- Contoured seat for user comfort
- Anti-microbial agent inhibits growth of odor-causing bacteria, mold, and mildew [-A]

**TOILET SEAT**  
**K-4652**  
**ALSO K-4662**



### Codes/Standards Applicable

Specified model meets or exceeds the following:

- ANSI Z124.5

### Colors/Finishes

- 0: White
- 7: Black Black™

### Specified Model

Model	Description	Colors/Finishes	
		<input type="checkbox"/> 0	<input type="checkbox"/> 7
K-4652	Elongated closed-front seat	<input type="checkbox"/> 0	<input type="checkbox"/> 7
K-4652-A	Elongated closed-front seat – anti-microbial agent	<input type="checkbox"/> 0	
K-4662	Round closed-front seat	<input type="checkbox"/> 0	<input type="checkbox"/> 7
K-4662-A	Round closed-front seat – anti-microbial agent	<input type="checkbox"/> 0	

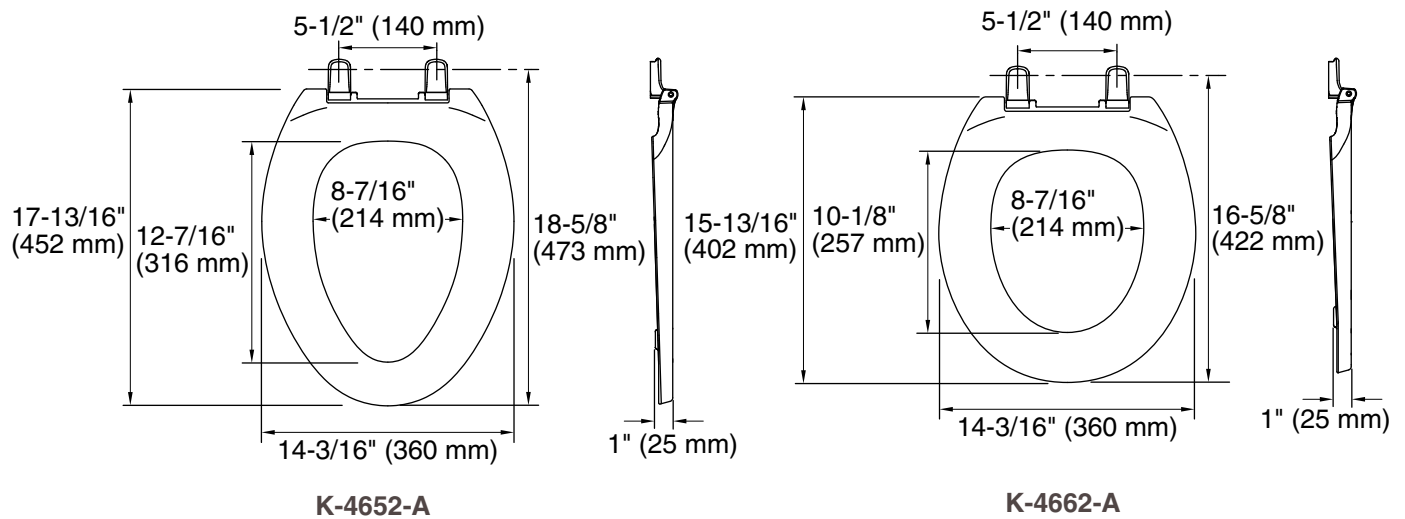
### Product Specification

The toilet seat shall be made of solid polypropylene plastic. Toilet seat shall be available with closed-front. Toilet seat shall have contoured seat for user comfort. Toilet seat shall have Quick-Release™ hinge caps snap open and seat pulls forward for removal. Toilet seat shall have Quick-Attach™ stainless steel fastener, which allows for top-mount screwdriver only install. Product shall be available with an anti-microbial agent which inhibits growth of odor-causing bacteria, mold, and mildew [-A]. Toilet seat shall be Kohler Model K-\_\_\_\_-\_\_\_\_ or K-\_\_\_\_-A-\_\_\_\_.

# LUSTRA™ Q2 ADVANTAGE™

## Installation Notes

Install this product according to the installation guide.



## Product Diagram