

# 10RS Resilient Wedge Gate Valve • Spec Sheet



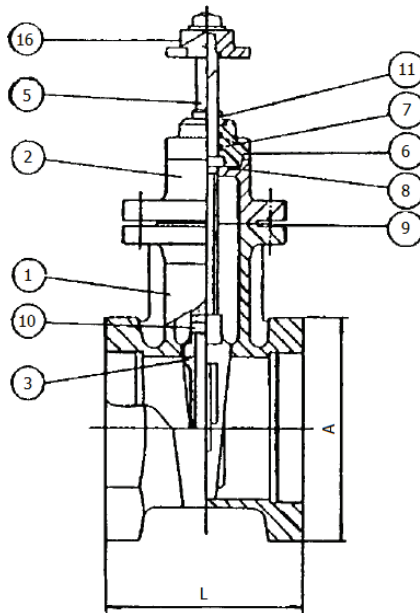
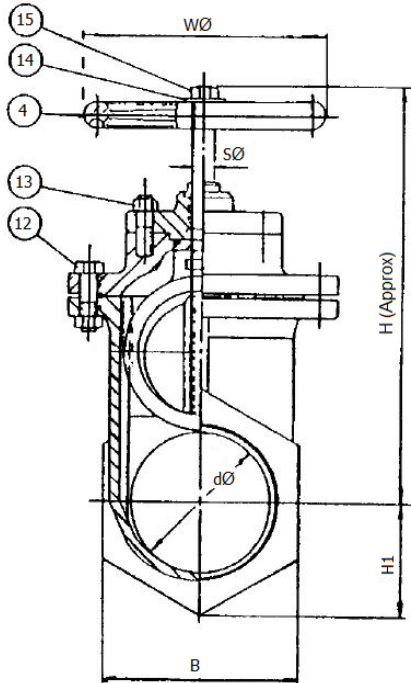
## FEATURES & BENEFITS

- ISO-9002
- Gate Valve - Threaded
- 200 CWP- Max. Temp. 140°F
- Resilient Wedge
- Non Rising Stem
- Full Port Flow
- Epoxy Coating – Internal & External
- ASTM A126 Class B
- Threaded Ends Conform to ANSI B1.20.1
- Handwheel & Op Nut Options Available
- Sizes 2" – 6"

**Applications:** Irrigation, Potable Water, Turf, Golf Course, Water Distribution Service & Feed Lines, Sewage Disposal

## DIMENSIONS

Size dØ	Part # Handwheel	Part # Op Nut	L	A	B	SØ	WØ	H1	H	WT. LBS
2"	10RS08	10RS08N	5.00	3.63	3.13	0.63	6.94	1.81	8.50	16
2-1/2"	10RS09	10RS09N	5.50	4.31	3.75	0.63	6.94	2.16	9.06	20
3"	10RS10	10RS10N	5.94	5.00	4.31	0.69	7.13	2.50	10.25	26
4"	10RS11	10RS11N	7.50	7.06	6.06	0.81	7.88	3.53	12.50	50
5"	10RS12	-	8.25	7.94	6.88	0.88	9.88	3.97	14.56	75
6"	10RS13	-	9.06	9.44	8.19	0.94	9.88	4.72	16.81	84



## MATERIAL SPECIFICATIONS

No.	Part	Material
1	Body	Cast Iron A 126 Class B
2	Bonnet	Cast Iron A 126 Class B
3	Disc	Cast Iron Rubber (BUNA-N) A 126 Class B
4	Handwheel	Cast Iron A 126 Class B
5	Stem	Stainless Steel A 276 Type 304
6	Stuffing Box	Cast Iron A 126 Class B
7	O-Ring A	Rubber D 2000 AA 6014
8	O-Ring B	Rubber D 2000 AA 6014
9	Bonnet Gasket	Rubber D 2000 AA 6014
10	Stem Nut	Stainless Steel A 276 Type 304
11	Wiper Ring	Rubber D 2000 AA 6014
12	Bonnet Bolt & Nut	Steel A 307 Grade B
13	Stud & Nut	Steel A 307 Grade B
14	Handwheel Washer	Steel A 284
15	Top Nut	Steel A 307 Grade B
16	Operating Nut	Cast Iron A 126 Class B

**MATCO-NORCA**  
Global sourcing. National compliance. Local service.