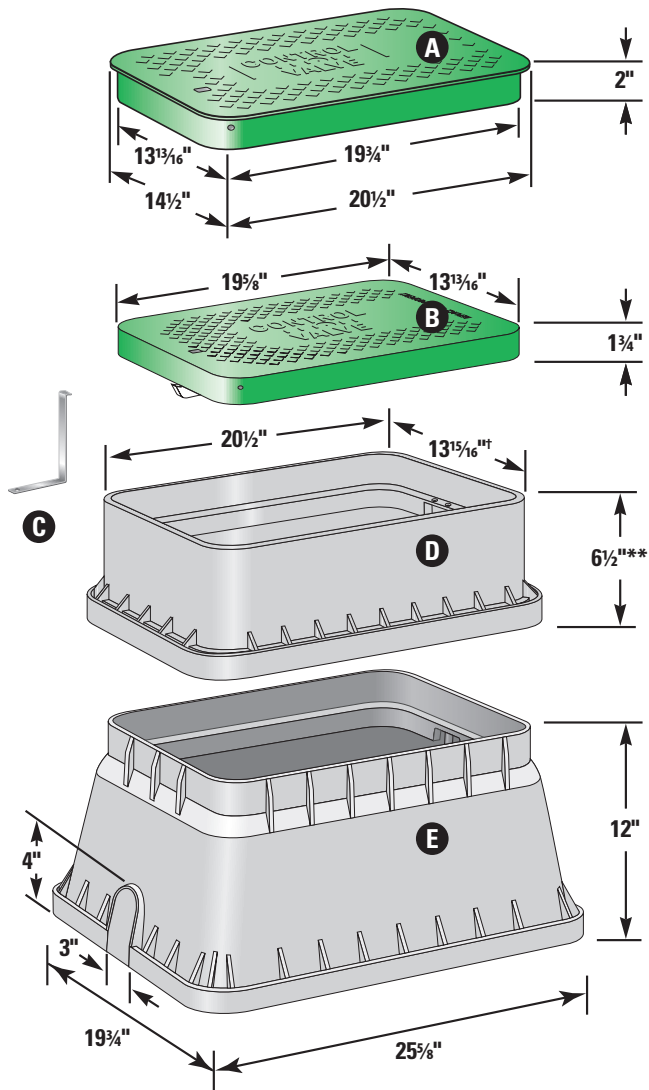


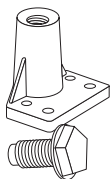


MacLean™ HIGHLINE

JUMBO IRRIGATION TURF BOXES



**6" effective height
†20" x 13^{15/16}" Inside Dim.
(18^{3/4}" x 12^{1/16}" min.)



Optional Pentagon Lock
(Needs Pentagon Lid)

- (A) T-Top Lid (No Locks)
- (B) Drop-in Lid (w/Snap Locks)
- (C) Optional Snap Lock Tool
- (D) 6" Extension
- (E) Jumbo Box

- SUPERFLEXON material
 - Stronger than structural foam, greater top-load strength
 - More UV and wear resistant than structural foam
 - 10 Year Lid Guarantee
- Lighter than cast iron or concrete boxes
 - Easier warehouse handling
 - Reduced injury potential
- Snap locks on drop-in lid
 - Discourage vandalism
 - Keep lid in place in high water
- Lids are easily interchangeable
- Lids available in green and brown mulch
- Boxes available in black and green

"You're Covered!"



JUMBO IRRIGATION TURF BOXES

DESCRIPTION	PART #	DESCRIPTION	PART #
JUMBO 12" BOX ASSEMBLIES		EXTENSIONS	
Control Valve		6"H Black	190110
Black Box, Green Lid w/Snap Lock	190106	ACCESSORIES	
Black Box, Brown Mulch Lid w/Snap Lock	190125	Lexan Bolt – Pentagon Lock	143003
Black Box, Green T-Top Lid, No Lock	194502	Lexan Locking Nut – Pentagon Lock	143013
JUMBO 6" BOX ASSEMBLIES		8" Stainless Steel Hinge Pin	144004
Control Valve		Snap Lock Set (1 Snap, 1 Pin)	144017
6" Black w/Green "Control Valve" Lid w/Snap Lock	190115	Snap Lock Unlocking Tool	144022
6" Flared Black w/Green Lid & Snap Lock	170130	Reflector Locator Washer, 1.75"OD x 3/16"ID ZPS	143020
6" Flared Black w/Green T-Top Lid, No Lock	174519	Reflector Screw for Locator Washer	143004
BOXES ONLY			
Green w/Closed Mouse Holes	190004		
Black w/Closed Mouse Holes	190101		
Black w/2 Open Mouse Holes	190156		
LIDS ONLY			
Control Valve			
Green "Control Valve" w/Snap Lock	192101		
Brown Mulch "Control Valve" w/Snap Lock	192112		
Green T-Top Lid (Drilled for Snap Locks)	194006		

SUPERFLEXON BOXES AND COVERS

SUPERFLEXON is a plastic material made of a rigid combination of polyolefin and fibrous inorganic components. It is chemically inert and normally unaffected by moisture, corrosion and the effects of temperature changes. SUPERFLEXON also has a high tensile strength with light weight because it is a solid (not foamed) structural material.

SUPERFLEXON covers are NOT traffic covers and should not be used in roadways, etc.

Physical Properties	ASTM Test Method	Minimum Test Value
Tensile Strength (2.0"/min.)	D-638-82a	3,400 psi
Flexural Modulus	D-790-81	191,000 psi
Compressive Strength (0.05"/min.)	D-695-80	3,350 psi
Impact Strength, Izod	D-256-81	0.6 ft. lb/in.
Durometer Hardness, Type D	D-2240-81	60
Deflection Temp. @ 66 psi Stress	D-648-82	230°F
Specific Gravity	D-792-66 (1979)	1.15



481 Munn Road, Suite 300, Fort Mill, SC 29715, USA
 Phone: 803.628.4380 • Fax: 803.792.4612
 E-mail: info@macleanhighline.com
 www.highlineaccessboxes.com