

For Residential and Commercial Applications

Job Name		Engineer / Architect	
Job Location		Wholesaler	
Submittal Date		Contractor	

MAU2 Male Gas Adapter - 5/8" OD (15/16-16 Thread) x Male Iron Pipe

Use: For use with natural, manufactured, mixed, liquefied petroleum gases and LP gas-air mixtures.

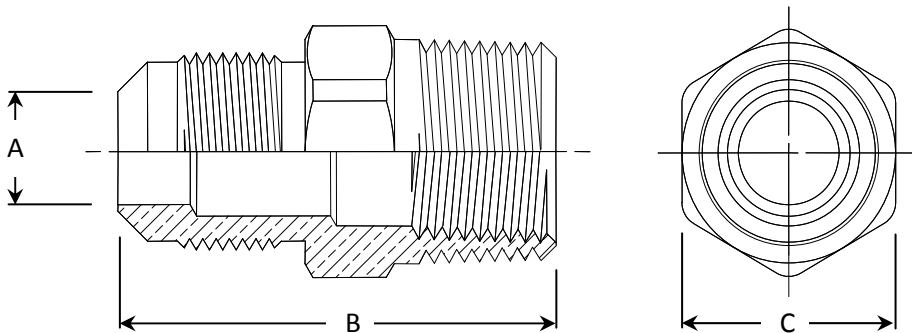
Operating Specifications:

Temperature: -40° to 150° F

Pressure: Up to 1/2 psi maximum

MATERIAL SPECIFICATIONS	
Brass Bodies	C36000 brass
Steel Bodies	Blue zinc plated 12L14 or 1010 steel

PART DIMENSIONS (Inches)			
Model Prefix	DIA. A	DIM. B	DIM. C
MAU2-10-12	0.50	2.06	1-1/16
MAU2-10-8	0.50	2.00	15/16



Part Listing:

- | | | |
|--------------------------|---------------|--|
| <input type="checkbox"/> | MAU2-10-12 | 5/8" OD Flare (15/16-16 Thread) x 3/4" M.I.P. (1/2" F.I.P. tapped), brass |
| <input type="checkbox"/> | MAU2-10-12 B | 5/8" OD Flare (15/16-16 Thread) x 3/4" M.I.P. (1/2" F.I.P. tapped), brass, bulk |
| <input type="checkbox"/> | MAU2-10-12 K5 | 5/8" OD Flare (15/16-16 Thread) x 3/4" M.I.P. (1/2" F.I.P. tapped), brass, 5 per bag |
| <input type="checkbox"/> | MAU2-10-12S | 5/8" OD Flare (15/16-16 Thread) x 3/4" M.I.P. (1/2" F.I.P. tapped), steel |
| <input type="checkbox"/> | MAU2-10-8 | 5/8" OD Flare (15/16-16 Thread) x 1/2" M.I.P., brass |
| <input type="checkbox"/> | MAU2-10-8 B | 5/8" OD Flare (15/16-16 Thread) x 1/2" M.I.P., brass, bulk |
| <input type="checkbox"/> | MAU2-10-8 K5 | 5/8" OD Flare (15/16-16 Thread) x 1/2" M.I.P., brass, 5 per bag |
| <input type="checkbox"/> | MAU2-10-8S | 5/8" OD Flare (15/16-16 Thread) x 1/2" M.I.P., steel |
| <input type="checkbox"/> | MAU2-10-8S B | 5/8" OD Flare (15/16-16 Thread) x 1/2" M.I.P., steel, bulk |

Listings & Certifications:

- For use with CSA listed ANSI Z21.24 / CSA 6.10 connectors
- For use with CSA listed ANSI Z21.75 / CSA 6.27 connectors

This specification and all information contained herein is the confidential and exclusive property of BrassCraft Manufacturing, and shall not be disclosed to others without the written consent of BrassCraft. This specification must be returned to BrassCraft if requested.

