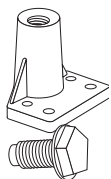
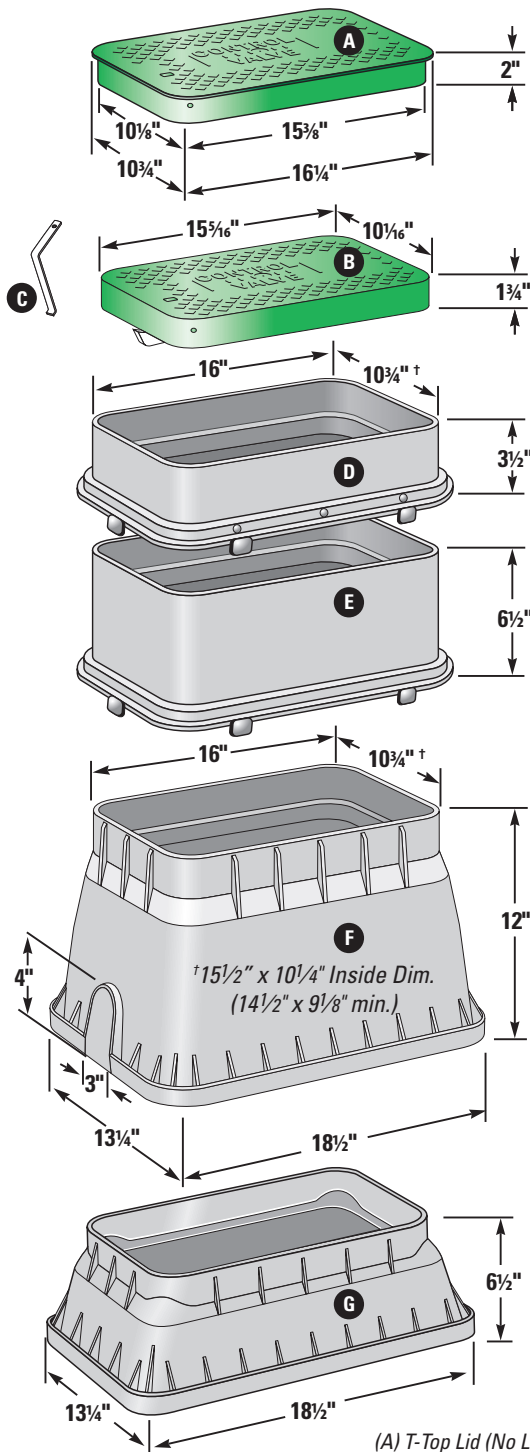




MacLean™ HIGHLINE

STANDARD IRRIGATION TURF BOXES



Optional Pentagon Lock
(Needs Pentagon Lid)

- (A) T-Top Lid (No Locks)
- (B) Drop-in Lid (w/Snap Locks)
- (C) Optional Snap Lock Tool
- (D) 3" Extension
- (E) 6" Extension
- (F) 12" Standard Box
- (G) 6" Flared Box

- SUPERFLEXON material
 - Stronger than structural foam, greater top-load strength
 - More UV and wear resistant than structural foam
 - 10 Year Lid Guarantee
- Lighter than cast iron or concrete boxes
 - Easier warehouse handling
 - Reduced injury potential
- Snap locks on drop-in lid
 - Discourage vandalism
 - Keep lid in place in high water
- Lids are easily interchangeable
- T-top lid will fit boxes of other manufacturers
- Lids available in black, green, tan, and brown mulch
- Boxes available in black, tan and white (6", 12" and 18" high)
- Closed mouse holes standard
- Extensions will fit most competitor's boxes



"You're Covered!"

STANDARD IRRIGATION TURF BOXES

DESCRIPTION	PART #	DESCRIPTION	PART #
STANDARD 6" BOX ASSEMBLIES		LIDS ONLY	
Control Valve		Control Valve	
6" Flared Black Box, Green Lid w/Snap Lock	170130	Black "Control Valve" w/Snap Lock	171117
6" Flared Black Box, Green T-Top Lid, No Lock	174519	Green "Control Valve" w/Snap Lock	173134
6" Black w/Green "Control Valve" Lid w/Snap Lock	170116	Green "Control Valve" w/Pentagon Lock	173142
STANDARD 12" BOX ASSEMBLIES		Brown Mulch "Control Valve" w/Snap Lock	173145
Control Valve		Green "Control Valve" T-Top, No Lock	174030
Black Box, Green Lid w/Snap Lock	170106	Brown Mulch "Control Valve" T-Top, No Lock	174031
Black Box, Green T-Top Lid, No Lock	174501	EXTENSIONS	
Black Box, Green Lid w/Pentagon Lock	170128	3" Black Extension Only	170102
Black Box, Black Lid w/Snap Lock	170133	6" Black Extension Only	170103
Black Box, Black T-Top Lid w/Snap Lock	174541	ACCESSORIES	
Black Box, Brown Mulch Lid w/Snap Lock	170136	Lexan Bolt – Pentagon Lock	143003
STANDARD 18" BOX ASSEMBLIES		Reflector Screw for Locator Washer	143004
Control Valve (w/2 Mouse Holes)		Lexan Locking Nut – Pentagon Lock	143013
18" Black Box, Green Lid w/Snap Lock	194537	Hexagon Steel Bolt	143014
BOXES ONLY		Reflector Locator Washer	143020
12"H Black, Standard w/Closed Mouse Holes	170101	Snap Lock Set (1-Snap, 1-Pin)	144017
12"H Black, Standard w/2 Open Mouse Holes	170204	Snap Lock Unlocking Tool	144022
12"H Black, Standard w/2 Open Mouse Holes & Bolt Receptor	170058	Screw for Locator Washer	143004
12"H Black Standard w/3 Open Mouse Holes	170207	8" Stainless Steel Hinge Pin	144004
6" Flared Black Box	170129	Cast Iron Reader Lid Only	172002
18" Black One-Piece w/2 Mouse Holes	194101	Plastic Flip Lid, Latch & Screw w/Lock	172114
18" White One-Piece w/2 Mouse Holes	194102		

SUPERFLEXON BOXES AND COVERS

SUPERFLEXON is a plastic material made of a rigid combination of polyolefin and fibrous inorganic components. It is chemically inert and normally unaffected by moisture, corrosion and the effects of temperature changes. SUPERFLEXON also has a high tensile strength with light weight because it is a solid (not foamed) structural material.

SUPERFLEXON covers are NOT traffic covers and should not be used in roadways, etc.

Physical Properties	ASTM Test Method	Minimum Test Value
Tensile Strength (2.0"/min.)	D-638-82a	3,400 psi
Flexural Modulus	D-790-81	191,000 psi
Compressive Strength (0.05"/min.)	D-695-80	3,350 psi
Impact Strength, Izod	D-256-81	0.6 ft. lb/in.
Durometer Hardness, Type D	D-2240-81	60
Deflection Temp. @ 66 psi Stress	D-648-82	230°F
Specific Gravity	D-792-66 (1979)	1.15



481 Munn Road, Suite 300, Fort Mill, SC 29715, USA
 Phone: 803.628.4380 • Fax: 803.792.4612
 E-mail: info@macleanhighline.com
 www.highlineaccessboxes.com