

**FIXTURE SUPPORT FLOOR MOUNTED
 WITH CONCEALED ARMS**

FOR FLAT SLAB WHEELCHAIR PATIENTS LAVATORY

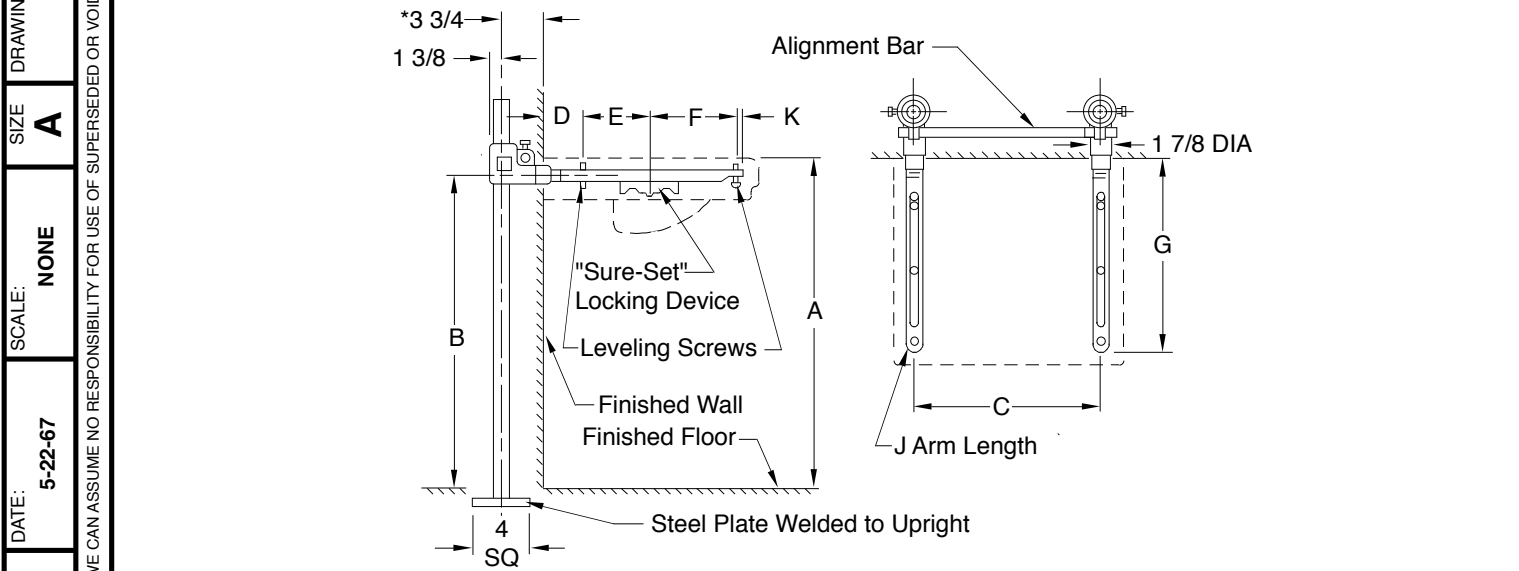
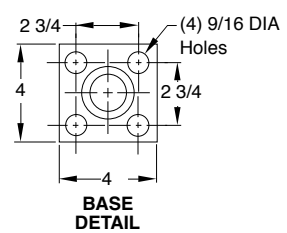


Fig. 0700 (-27) . . . FOR HIGH BACK LAVATORIES (shown)

NOTE: The rough-in dimensions listed on this drawing are based on current information available to Jay R. Smith by the fixture manufacturers. We recommend that you verify these dimensions with the fixture manufacturer. We will not accept responsibility for rough-in dimension changes by the fixture manufacturer.

NOTE: *This dimension can be increased when fixture support is to be installed behind the wall. (Specify when required and wall thickness).



ROUGHING-IN TABLE

FIXTURE MFG.	NAME	NUMBER	SIZE	A	B	C	D	E	F	G	J	K
AM. STD.	WHEELCHAIR	9140.013	20 x 27	34	32 3/8	16 3/4	7 1/2	7	7	22	25	1/2
AM. STD.	WHEELCHAIR	9141.011	20 x 27	34	32 3/8	16 3/4	7 1/2	7	7	22	25	1/2
CRANE●	WHEELCHAIR	IH-360	20 x 27	34	32 1/2	16 7/8	6	7 1/2	7 1/2	21 1/2	25	1/2
ELJER●●	WHEELCHAIR	051-2964, 68	20 x 27	34	33	16 3/4	7 1/2	7	7	22	25	1/2
KOHLER	MORNINGSIDE	K-12634, 5, 6	20 x 27	34	32 1/2	16 3/4	7 1/2	7	7	22	25	1/2
BRIGGS●●●	GRACE	6640, 5	20 x 27	34	32 3/8	16 3/4	7 1/2	7	7	22	25	1/2
ARMITAGE SHANKS	WHEELCHAIR	315	20 x 27	35	33 3/8	17	7 1/2	7	8 3/4	23 1/4	25	1/2

- Furnish (4) 1/4 - 20 x 4 1/2 R.H. machine screws for rear leveling screws
- Furnish (4) 1/4 - 20 x 2 1/2 R.H. machine screws for rear leveling screws
- Furnish (2) 1/4 - 20 x 1 1/2 slotted R.H. M.S. for front leveling screws

0700 (-27)

FIGURE NUMBER	D	10-19-94	Submittal Update	EMB	WEIGHT POUNDS	VOLUME CUBIC FEET	FIGURE NUMBER
	REV.	DATE	DESCRIPTION	BY	CKD. BY		0700 (-27)

DIMENSIONS ARE SUBJECT TO MANUFACTURERS TOLERANCE AND CHANGE WITHOUT NOTICE

WE CAN ASSUME NO RESPONSIBILITY FOR USE OF SUPERSEDED OR VOID DATA

DRAWING NUMBER: S0700 (-27) | SIZE: A | SCALE: NONE | DATE: 5-22-67 | APPROVED BY: TD | CHECKED BY: RP | DRAWN BY: SV