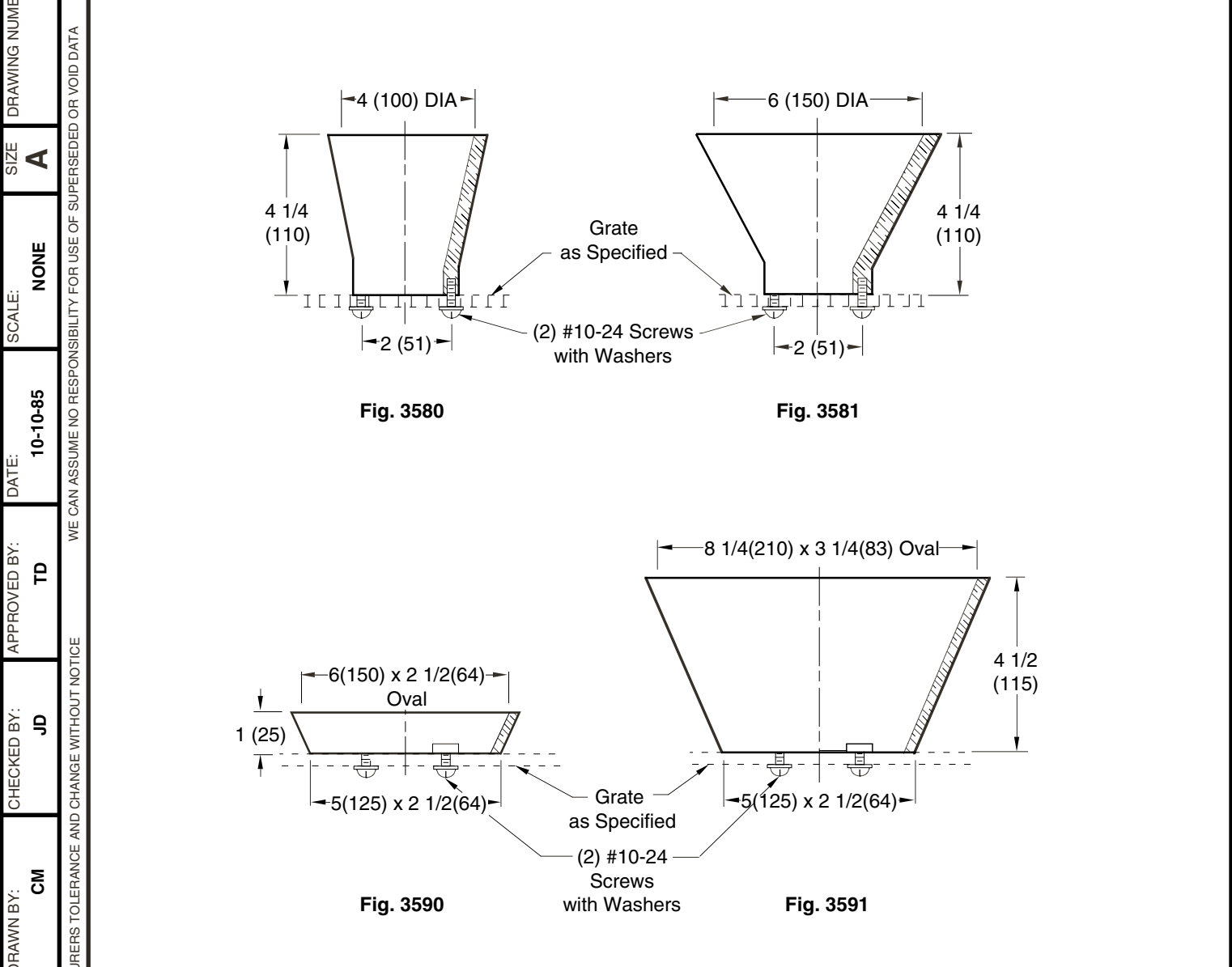


FUNNEL ASSEMBLIES



OPTIONAL MATERIALS:

| | |
|--|---|
| | A.R.C. Cast Iron -ARC |
| | Chrome Plate -CP |
| | Duco Cast Iron -CI |
| | Galvanized Cast Iron -G |
| | Nickel Bronze -NB |
| | Polished Bronze -PB |
| | Rough Bronze -RB |
| | Stainless Steel (See Fig 9703 and 9704) |

NOTE: Dimensions shown in parentheses are in millimeters.

| | | | | | | | | | |
|---------------|------------------------------|-------------|-------------------------------|--|-------------------|----------------|------------------|----------------------|---|
| FIGURE NUMBER | 3580, 3581 3590, 3591 | C B A | 6-28-95 7-22-94 4-19-91 | Added Millimeters Submittal Update Redrawn | EMB EMB EMB | CL BW BW | WEIGHT POUNDS | VOLUME CUBIC FEET | FIGURE NUMBER 3580, 3581 3590, 3591 |
| REV. | DATE | DESCRIPTION | | | BY | CKD. BY | | | |

DRAWING NUMBER S3580
SIZE A
SCALE: NONE
DATE: 10-10-85
APPROVED BY: TD
CHECKED BY: JD
DRAWN BY: CM
DIMENSIONS ARE SUBJECT TO MANUFACTURERS TOLERANCE AND CHANGE WITHOUT NOTICE
WE CAN ASSUME NO RESPONSIBILITY FOR USE OF SUPERSEDED OR VOID DATA