

Features

- Vitreous china.
- Elongated bowl.
- Angle back and wall outlet.
- 4-1/2" (114 mm) rough-in.
- 1-1/2" rear spud.
- 2-3/8" (60 mm) passageway.
- 11" (279 mm) x 9-1/2" (241 mm) water area.
- 1.6 gpf (6.0 lpf).
- 27-1/2" (699 mm) x 14-1/2" (368 mm) x 15" (381 mm).

Recommended Accessories

- K- 4670-C Commercial Toilet Seat
- K- 4670-CA Commercial Toilet Seat

Components

Additional included component/s: Spud, Bolt cap (pair), and Floor screws (pair).



Codes/Standards

ASME A112.19.2/CSA B45.1
DOE - Energy Policy Act 1992

KOHLER® One-Year Limited Warranty

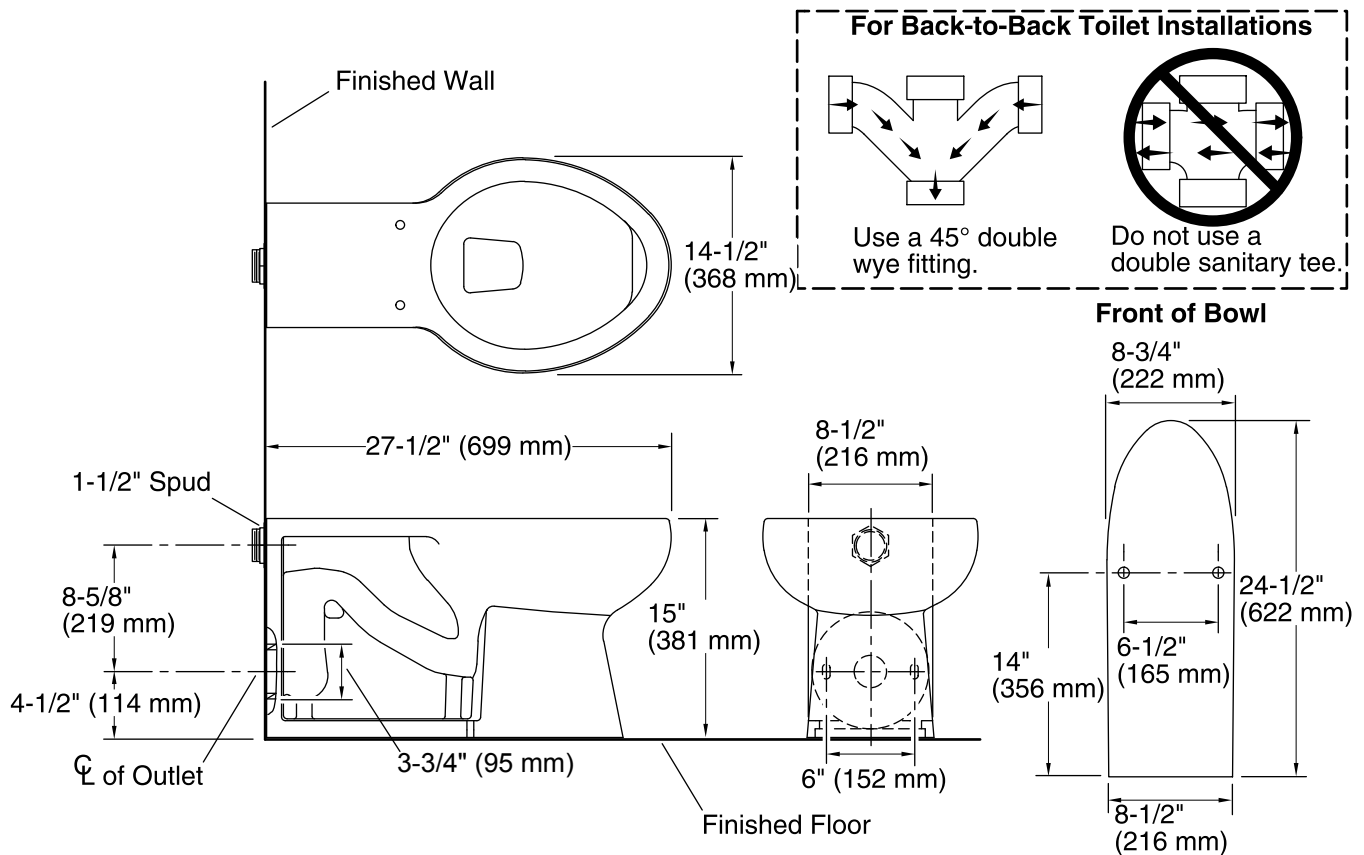
See website for detailed warranty information.

Available Color/Finishes

Color tiles intended for reference only.

Color	Code	Description
-------	------	-------------

	0	White
--	---	-------



Technical Information

All product dimensions are nominal.

Toilet type:	One-piece
Bowl shape:	Elongated front
Spud size:	1-1/2", Inlet, Rear
Trap passageway:	2-3/8" (60 mm)
Water surface size:	11" x 9-1/2" (279 mm x 241 mm)
Rim to water surface:	5-1/4" (133 mm)
Rough-in:	4-1/2" (114 mm)
Seat-mounting holes:	5-1/2" (140 mm)

Fixture Supply Requirements

Min static pressure:	35 psi (241.3 kPa)
Max static pressure:	80 psi (551.6 kPa)
Min flow rate:	25 gpm (94.6 lpm)

Notes

Install this product according to the installation guide.

Refer to manufacturer's instructions and local codes for flushometer requirements.

For back-to-back toilet installations: Use only a 45° double wye fitting.