

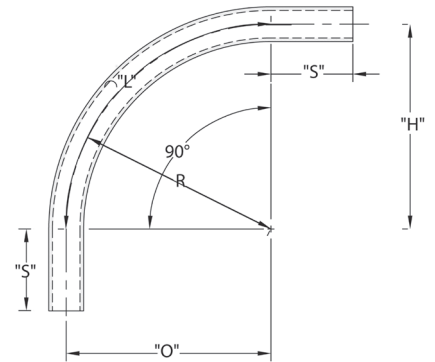
Schedule 40 90° Elbow - Plain End

| Part Number | Trade Size | Carton Qty | "R"    | "O"    | "H"    | "S" MIN | "L"    |
|-------------|------------|------------|--------|--------|--------|---------|--------|
| 5133823     | 1/2        | 50         | 4.000  | 4.000  | 4.000  | 1.500   | 6.250  |
| 5133824     | 3/4        | 35         | 4.500  | 4.500  | 4.500  | 1.500   | 7.125  |
| 5133825     | 1          | 20         | 5.750  | 5.750  | 5.750  | 1.875   | 9.000  |
| 5133826     | 1-1/4      | 30         | 7.250  | 7.250  | 7.250  | 2.000   | 11.375 |
| 5133827     | 1-1/2      | 30         | 8.250  | 8.250  | 8.250  | 2.000   | 13.000 |
| 5133828     | 2          | 15         | 9.500  | 9.500  | 9.500  | 2.000   | 15.000 |
| 5133829     | 2-1/2      | 18         | 10.500 | 10.500 | 10.500 | 3.000   | 16.500 |
| 5133830     | 3          | 14         | 13.000 | 13.000 | 13.000 | 3.125   | 20.375 |
| 5133831     | 3-1/2      | 12         | 15.000 | 15.000 | 15.000 | 3.250   | 23.500 |
| 5133832     | 4          | 10         | 16.000 | 16.000 | 16.000 | 3.375   | 25.125 |
| 5133835     | 5          | 30*        | 24.000 | 24.000 | 24.000 | 3.625   | 37.625 |
| 5133834     | 6          | 25*        | 30.000 | 30.000 | 30.000 | 3.750   | 47.125 |

CANTEX 90-Degree Plain End Schedule 40 Standard Radius Elbows are used to change the direction of a conduit run by 90 degrees.



- Schedule 40 PVC construction for strength and durability
- For indoor or outdoor use
- Suitable for aboveground or buried
- Plain end connections are solvent weld
- ETL Listed
- Made in USA



\* Pallet Quantity

Conforms to UL651 and NEMA TC3  
Material is Rigid PVC  
Bend Tolerance is  $\pm 2^\circ$

Dimensions are nominal

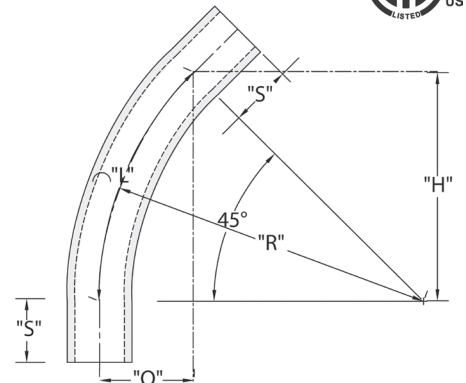
Schedule 40 45° Elbow - Plain End

| Part Number | Trade Size | Carton Qty | "R"    | "O"   | "H"    | "S" MIN | "L"    |
|-------------|------------|------------|--------|-------|--------|---------|--------|
| 5133763     | 1/2        | 50         | 4.000  | 1.188 | 2.875  | 1.500   | 3.125  |
| 5133764     | 3/4        | 25         | 4.500  | 1.313 | 3.188  | 1.500   | 3.500  |
| 5133765     | 1          | 20         | 5.750  | 1.688 | 4.000  | 1.875   | 4.500  |
| 5133766     | 1-1/4      | 25         | 7.250  | 2.125 | 5.125  | 2.000   | 5.688  |
| 5133767     | 1-1/2      | 20         | 8.250  | 2.375 | 5.875  | 2.000   | 6.500  |
| 5133768     | 2          | 10         | 9.500  | 2.813 | 6.750  | 2.000   | 7.500  |
| 5133769     | 2-1/2      | 20         | 10.500 | 2.563 | 7.375  | 3.000   | 8.250  |
| 5133770     | 3          | 8          | 13.000 | 3.813 | 9.188  | 3.125   | 10.250 |
| 5133771     | 3-1/2      | 5          | 15.000 | 4.375 | 10.625 | 3.250   | 11.875 |
| 5133772     | 4          | 20         | 16.000 | 4.688 | 11.438 | 3.375   | 12.625 |
| 5133773     | 5          | 30*        | 24.00  | 7.000 | 17.000 | 3.625   | 18.875 |
| 5133774     | 6          | 25*        | 30.000 | 8.813 | 21.250 | 3.750   | 22.875 |

CANTEX 45-Degree Plain End Schedule 40 Standard Radius Elbows are used to change the direction of a conduit run by 45 degrees.



- Schedule 40 PVC construction for strength and durability
- For indoor or outdoor use
- Suitable for aboveground or buried
- Plain end connections are solvent weld
- ETL Listed
- Made in USA



\* Pallet Quantity

Conforms to UL651 and NEMA TC3  
Material is Rigid PVC  
Bend Tolerance is  $\pm 2^\circ$

Dimensions are nominal