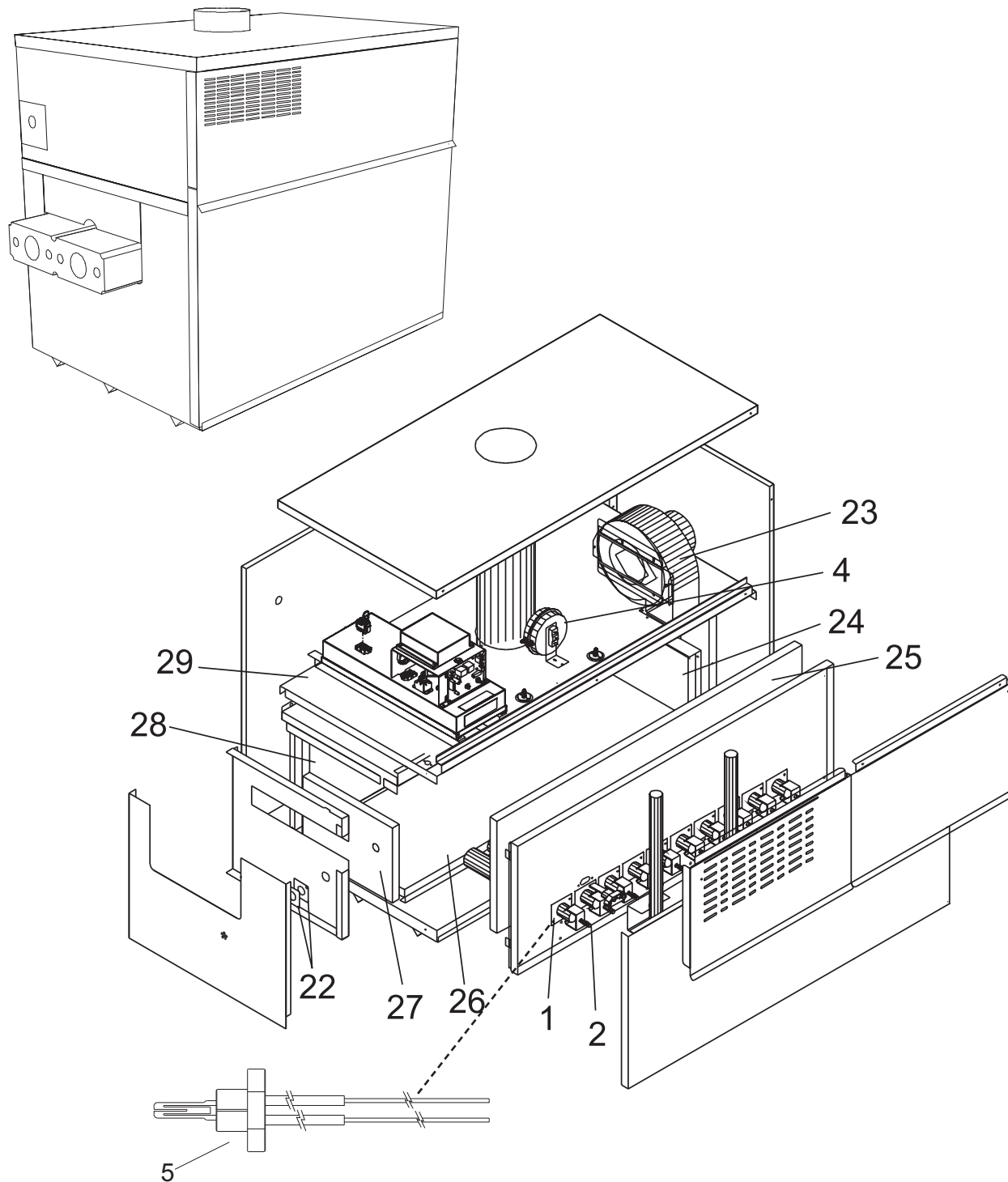




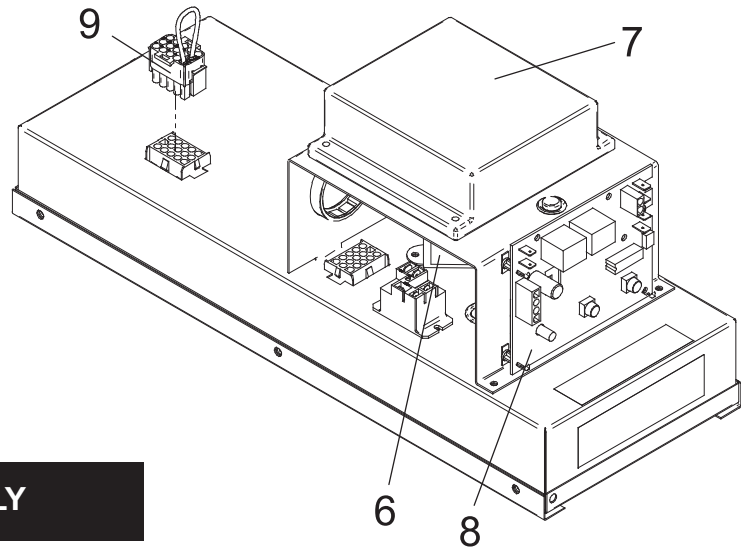
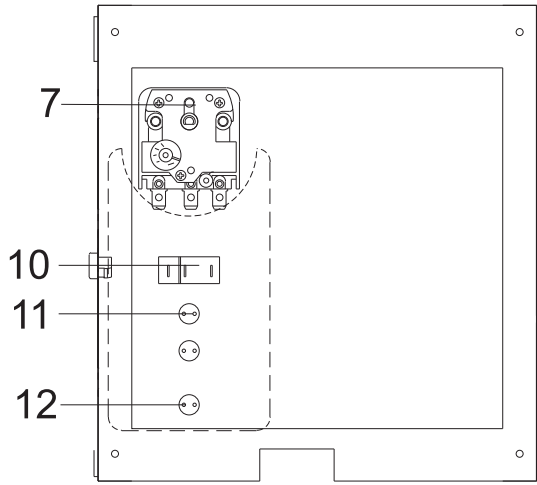
Replacement Parts List

PARTS & SERVICE DEPARTMENT
Nashville, Tennessee
615-889-8900 • Fax: 615-547-1000
www.Lochinvar.com

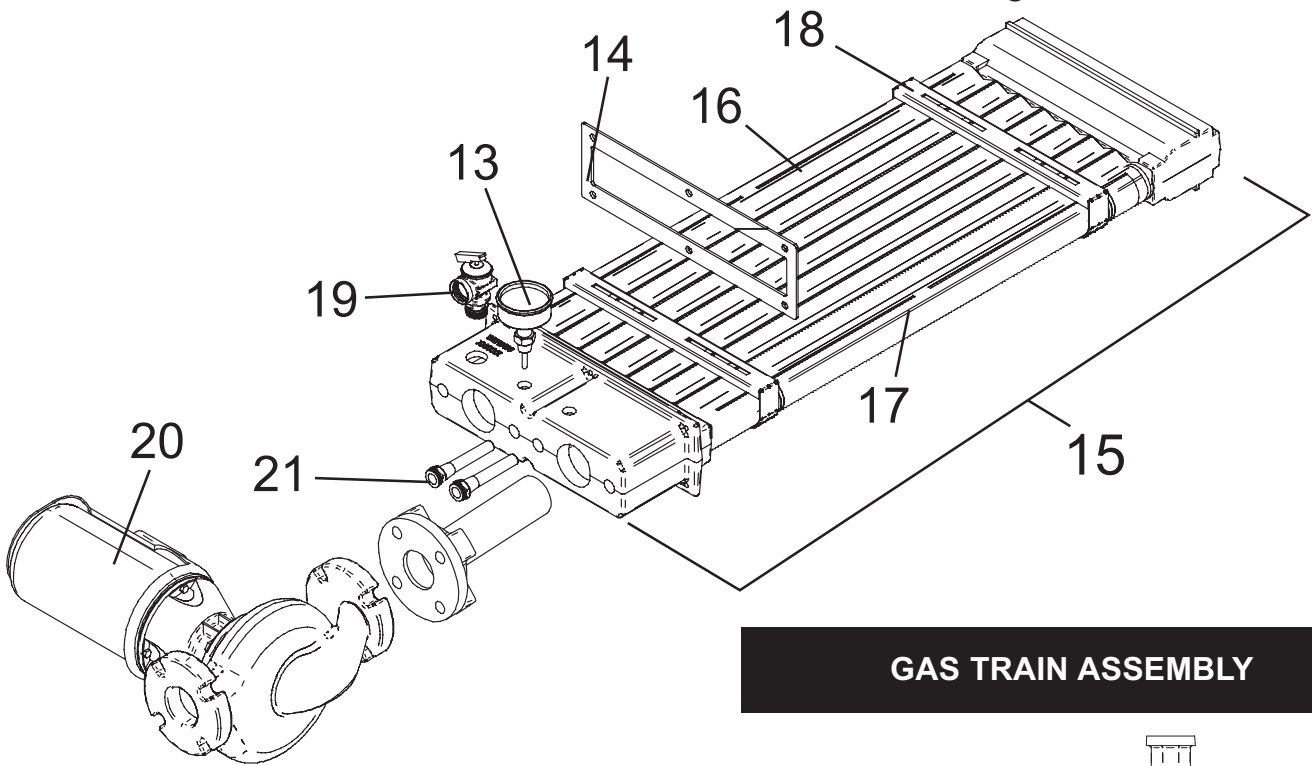
Copper-Fin®
Boilers — Water Heaters
CB—CW 495 -745
Beginning Serial #G04H00166418



CONTROL PANEL

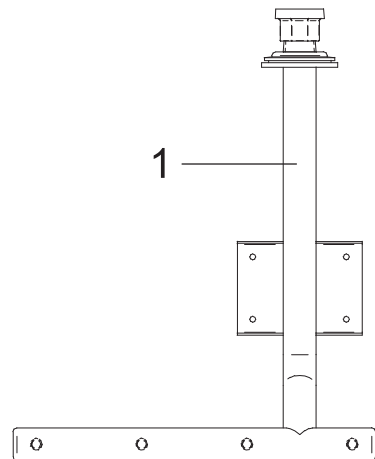
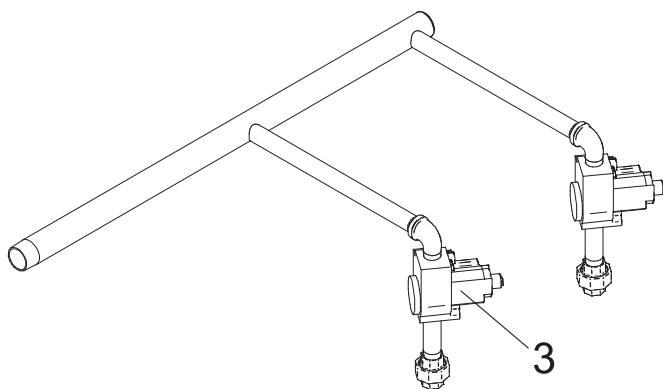


HEAT EXCHANGER ASSEMBLY



GAS TRAIN ASSEMBLY

SUPPLY MANIFOLD



ITEM NO.	PART NO.	DESCRIPTION	MODEL NO.		
BURNERS					
1	BEFORE SERIAL #G04 BNR2400 MAIN BURNER BNR3400 MAIN BURNER W/BARB PRESSURE BNR2401 MAIN BURNER LP ONLY* *LOCATED UNDER THE HOT SURFACE IGNITOR.	Model	BNR2400	BNR3400	BNR2401 (LP Only)
		495	9 ea	1 ea	1 ea
		645	12 ea	1 ea	1 ea
		745	14 ea	1 ea	1 ea
1	AFTER SERIAL #G04 BNR3417 MAIN BURNER BNR3416 MAIN BURNER W/BARB PRESSURE	Model	BNR3417	BNR3416	
		495	9 ea	1 ea	
		645	12 ea	1 ea	
		745	14 ea	1 ea	
GAS TRAIN ASSEMBLIES					
2	ORF2401	ORIFICE, NAT. (BEFORE SERIAL #G04)	ALL		
2	ORF2402	ORIFICE, LPG. (BEFORE SERIAL #G04)	ALL		
2	ORF2406	ORIFICE, NAT. (AFTER SERIAL #G04)	ALL		
2	ORF2051	ORIFICE, LPG. (AFTER SERIAL #G04)	ALL		
3	VAL3405	GAS VALVE, NAT	ALL		
3	VAL3406	GAS VALVE, LPG	ALL		
CONTROLS & GAUGES					
4	PRS2401	LOW AIR PRESSURE SWITCH (BEFORE SERIAL G04)	ALL		
4	PRS2424	LOW AIR PRESSURE SWITCH (AFTER SERIAL G04)	ALL		
5	PLT3400	HOT SURFACE IGNITOR	ALL		
6	TRF2005	TRANSFORMER 75 VA	ALL		
7	RLY2402	IGNITION MODULE	ALL		
8	TST2314	THERMOSTAT OPERATOR	ALL CB/CW		
9	WRE2407	JUMPER PLUG	ALL		
10	MSC2426	ROCKER SWITCH	ALL		
11	MSC2023	TRIAL LIGHT, AMBER 120V (BEGINNING SERIAL # G96741)	ALL		
12	MSC2026	FLAME FAILURE LIGHT, RED 24V	ALL		
13	GTP2900	TEMPERATURE AND PRESSURE GAUGE	ALL CB		
13	GTP3000	TEMPERATURE GAUGE 2"	ALL CW		
HEAT EXCHANGERS					
14	GKT2400	GASKET HEAT SHIELD	ALL		
15	HEX3402	HEAT EXCHANGER (CW-BEFORE SERIAL #F00)	CW/CB 495		
15	HEX3403	HEAT EXCHANGER (CW-BEFORE SERIAL #F00)	CW/CB 645		
15	HEX3404	HEAT EXCHANGER (CW-BEFORE SERIAL #F00)	CW/CB 745		
15	HEX3012	HEAT EXCHANGER (AFTER SERIAL # F00)	CW 495		
15	HEX3013	HEAT EXCHANGER (AFTER SERIAL # F00)	CW 645		
15	HEX3014	HEAT EXCHANGER (AFTER SERIAL # F00)	CW 745		
16	JKD2252	V-BAFFLE	495		
16	JKD2253	V-BAFFLE	645		
16	JKD2254	V-BAFFLE	745		
17	JKD6450	FRAME RUNNER V-BAFFLE	495		
17	JKD6451	FRAME RUNNER V-BAFFLE	645		
17	JKD6452	FRAME RUNNER V-BAFFLE	745		
18	MSC2969	FRAME END	ALL		
19	RLV2017	RELIEF VALVE, TEMPERATURE AND PRESSURE	ALL CW		
19	RLV2001	RELIEF VALVE, PRESSURE ONLY	ALL CB		
MISCELLANEOUS					
20	ARM3044PBF	PUMP (BEFORE SERIAL # L01)	ALL CW		
20	ARM3044PAB	PUMP (AFTER SERIAL # L01)	ALL CW		
21	TST2301	THERMOSTAT WELL	ALL		
22	MSC3415	SIGHT GLASS KIT	ALL		
23	FAN2714	FAN	ALL		
--	MSC2016	TERMINAL STRIP 8 POLE	ALL		
-	MSC2424	LOW AIR LIGHT, AMBER 28V	ALL		
-	MSC2028	HEATING LIGHT, GREEN	ALL		
--	RLY2052	PUMP DELAY RELAY (AFTER SERIAL # L01)	CW		
--	WRE2498	PUMP DELAY WIRE HARNESS (AFTER SERIAL # L01)	CW		
PLEASE HAVE MODEL AND SERIAL NUMBER WHEN ORDERING PARTS. NOTE: CB = BOILER CW = WATER HEATER					

ITEM NO.	PART NO.	DESCRIPTION	MODEL NO.
LOCH-HEAT TILE			
24	FIB2421	LOCH-HEAT TILE, REAR HEAD SIDE	ALL
25	FIB2407	LOCH-HEAT TILE, FRONT DOOR	495
25	FIB2408	LOCH-HEAT TILE, FRONT DOOR	645
25	FIB2409	LOCH-HEAT TILE, FRONT DOOR	745
26	FIB2806	LOCH-HEAT TILE, DIVIDER	ALL
26	FIB2142	LOCH-HEAT TILE, BOTTOM - RIGHT	745
26	FIB2143	LOCH-HEAT TILE, BOTTOM - LEFT	745
26	FIB2502	LOCH-HEAT TILE, BOTTOM - LEFT & RIGHT	495
26	FIB2144	LOCH-HEAT TILE, BOTTOM - LEFT	645
26	FIB2145	LOCH-HEAT TILE, BOTTOM - RIGHT	645
27	FIB2420	LOCH-HEAT TILE, FRONT HEAD SIDE	ALL
28	FIB2402	LOCH-HEAT TILE, REAR	495
28	FIB2403	LOCH-HEAT TILE, REAR	645
28	FIB2404	LOCH-HEAT TILE, REAR	745
29	FIB2412	LOCH-HEAT TILE, TOP	495
29	FIB2413	LOCH-HEAT TILE, TOP	645
29	FIB2414	LOCH-HEAT TILE, TOP	745
OPTIONAL			
--	HLC2701	AUTO RESET HIGH LIMIT	ALL
--	GAC2030	GAS COCK 1 1/4"	ALL
--	WTR2530	LOW WATER CUTOFF, MANUAL RESET (OPTIONAL) PRIOR TO H08H00211239	ALL
--	WTR30000	LOW WATER CUTOFF, MANUAL RESET (OPTIONAL) BEGINNING H08H00211239	ALL
--	WTR2528	LOW WATER CUTOFF, AUTO RESET (OPTIONAL) PRIOR TO H08H00211239	ALL
--	WTR30001	LOW WATER CUTOFF, AUTO RESET (OPTIONAL) BEGINNING H08H00211239	ALL
--	WTR2532	LOW WATER CUTOFF PROBE (OPTIONAL) PRIOR TO H08H00211239	ALL
--	WTR2222	LOW WATER CUTOFF PROBE (OPTIONAL) BEGINNING H08H00211239	ALL
--	WTR2533	LOW WATER CUTOFF BOOT (OPTIONAL) PRIOR TO H08H00211239	ALL
--	WTR20000	LOW WATER CUTOFF BOOT (OPTIONAL) BEGINNING H08H00211239	ALL
--	PAN3208	OPTION BOX A: LOUVER RELAY W/PUMP DELAY	ALL
--	PAN3209	OPTION BOX B: MR-LWCO, LVR W/PUMP DELAY PRIOR TO H08H00211239	ALL
--	PAN30012	OPTION BOX B: MR-LWCO, LVR W/PUMP DELAY BEGINNING H08H00211239	ALL
--	PAN3210	OPTION BOX C: MR-LWCO, LVR W/PUMP DELAY, ALARM ANY FAILURE PRIOR TO H08H00211239	ALL
--	PAN30013	OPTION BOX C: MR-LWCO, LVR W/PUMP DELAY, ALARM ANY FAILURE BEGINNING H08H00211239	ALL
PLEASE HAVE MODEL AND SERIAL NUMBER WHEN ORDERING PARTS. NOTE: CB = BOILER CW = WATER HEATER			