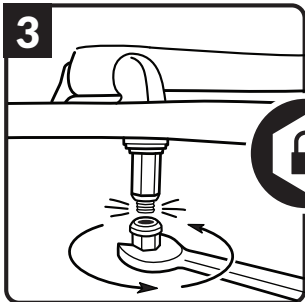
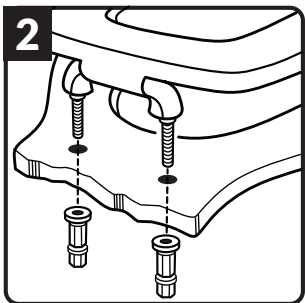




STAY·TITE®

COMMERCIAL FASTENING SYSTEM™

INSTALLATION INSTRUCTIONS



1 Insert hinges into seat.

2 Place seat on bowl and *lightly* finger-tighten nuts.

3 Holding seat centered on bowl, use a 5/8" wrench on the lower part of nuts and alternately tighten them until lower nuts **SNAP OFF**.

! IMPORTANT!

Stay-Tite® nuts snap off at the correct torque, to prevent over- or under-tightening for a secure fit that will **NEVER LOOSEN. GUARANTEED.**

Note: To uninstall, remove nuts with 5/8" wrench.

1B5153060