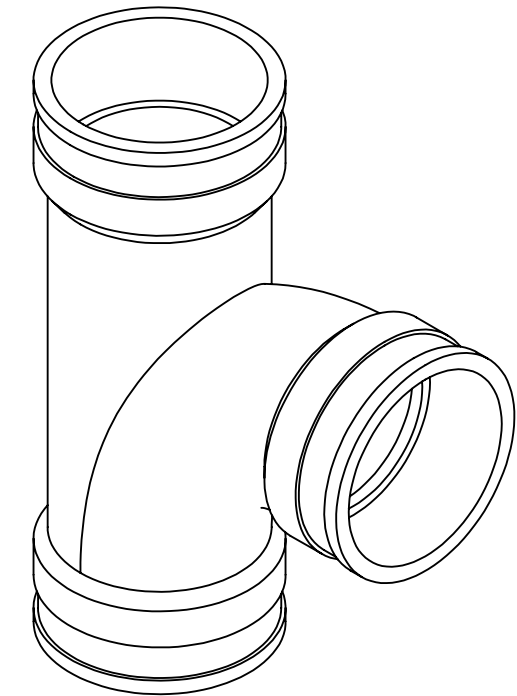
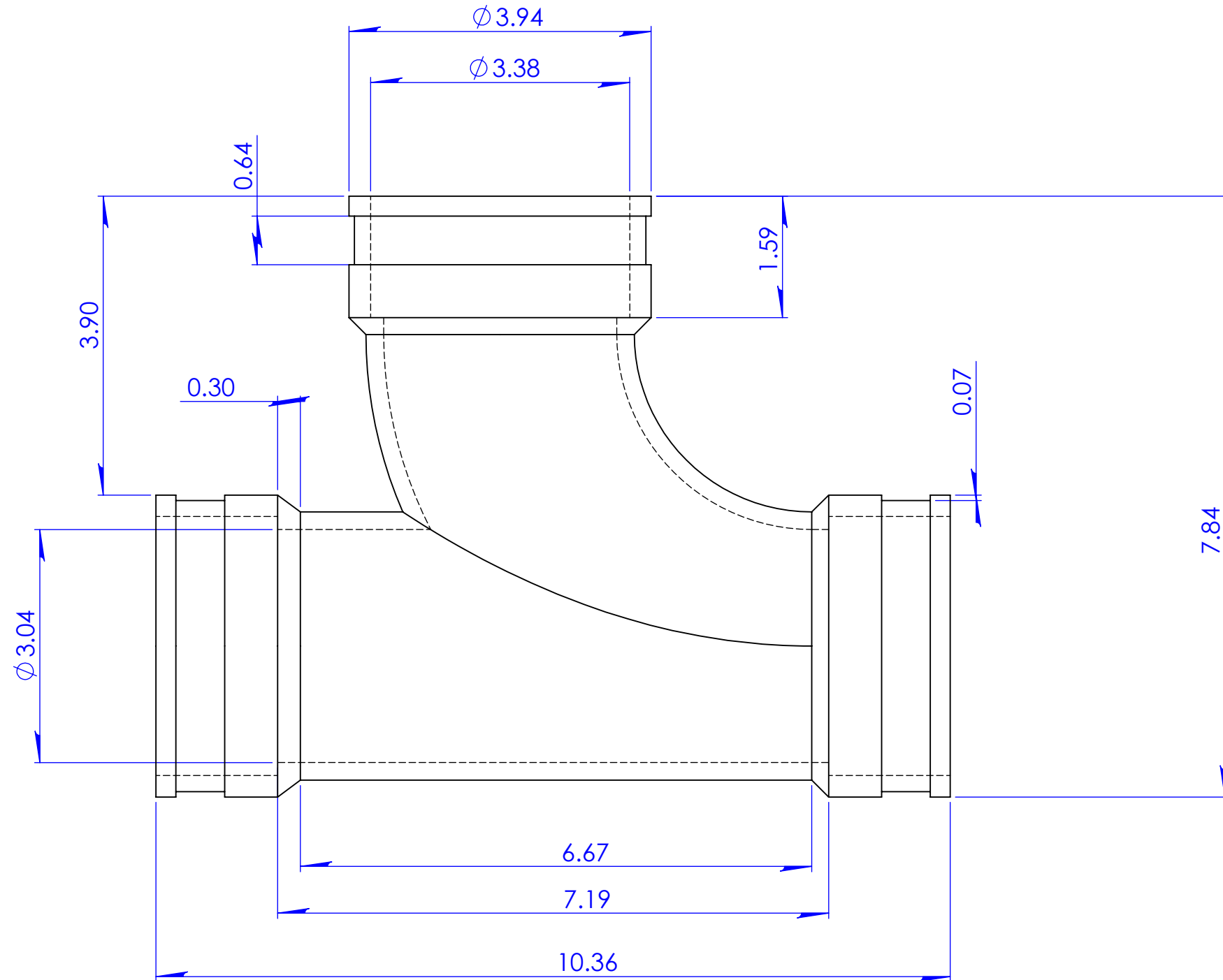




300 S. DAYTON ST.  
 DAVISON, MI 48423  
 PH: 810-653-9626  
 FAX: 810-654-2616

# QT-300

DESCRIPTION: Qwik Tee 3" x 3" x 3" Cast Iron, Plastic, Steel Copper and Lead to same.



PROPRIETARY AND CONFIDENTIAL  
 THE INFORMATION CONTAINED IN THIS  
 DRAWING IS THE SOLE PROPERTY OF  
 FERNCO, INC. ANY REPRODUCTION IN  
 PART OR AS A WHOLE WITHOUT THE  
 WRITTEN PERMISSION OF FERNCO, INC.  
 IS PROHIBITED.

**TOLERANCES:**  
 .X= Fractional  $\pm$   
 .XX=  $\pm .06$   
 ANG.=  $\pm 3^\circ$   
 UNLESS OTHERWISE SPECIFIED

Part Weight	2.18 lbs.	Installation Torque	60" Lbs.
Min/Max Temp.	-30/140 Degrees F	Conforms to ASTM	D5926, C1173
Pressure Tested	4.3 PSI	Clamps used	300 Series
Material	Flexible PVC 60 Duro Shore A	Box Quantity	20

UNITS:	INCHES
SIZE:	<b>A</b>
3RD ANGLE PROJECTION	
DO NOT SCALE DRAWING	

DESIGNER:	D. Brady
CHECKER:	
DATE:	6/6/2011

SCALE:	not to scale
SHEET	1 OF 1