

SPECIFICATION SUBMITTAL SHEET



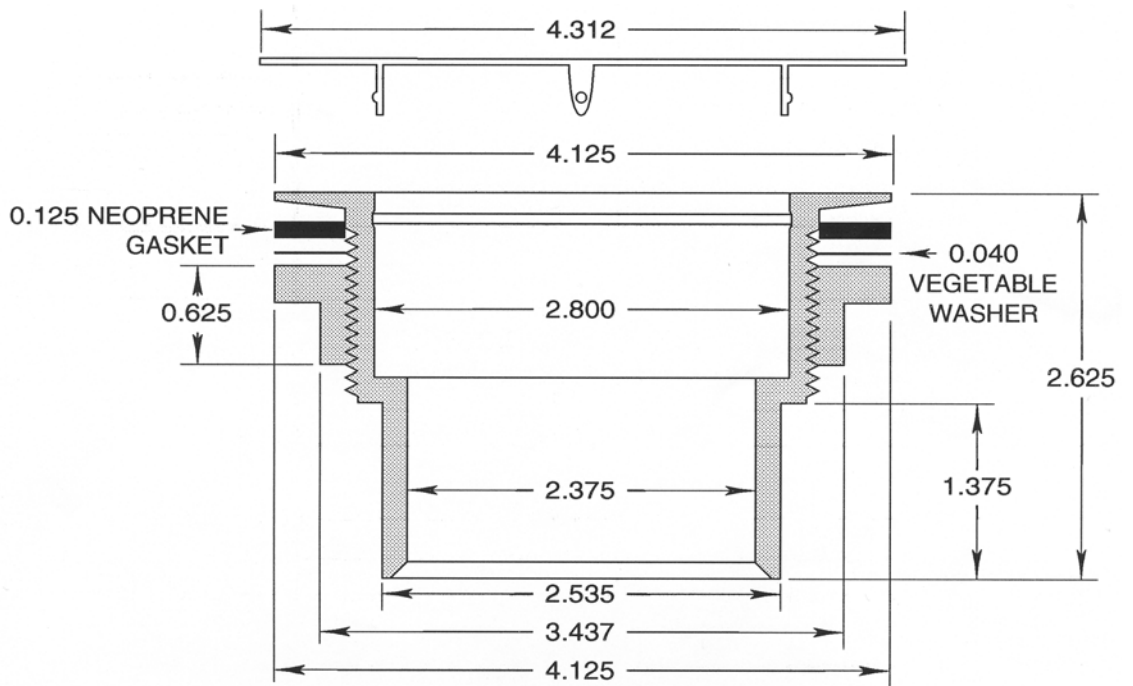
FIBERGLASS AND ACRYLIC FLOOR SHOWER DRAINS

Job Name: _____
 Job Location: _____
 Engineer: _____
 Approval: _____

Contractor: _____
 Approval: _____
 Contractor's PO#: _____
 Representative: _____



Shown in ABS



√ Qty	Product Code	Model #	Description
	86055	5820G	ABS, Stainless Steel Strainer - Snap-in
	82407	R5820G	ABS, Stainless Steel Strainer - Snap-in (Display Pack)
	86050	4820G	PVC, Stainless Steel Strainer - Snap-in
	82405	R4820G	PVC, Stainless Steel Strainer - Snap-in (Display Pack)

