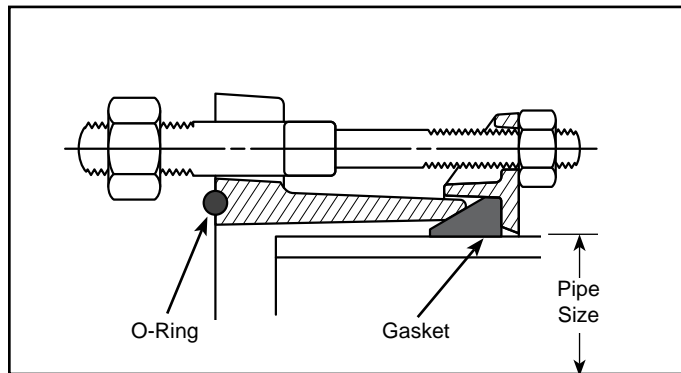
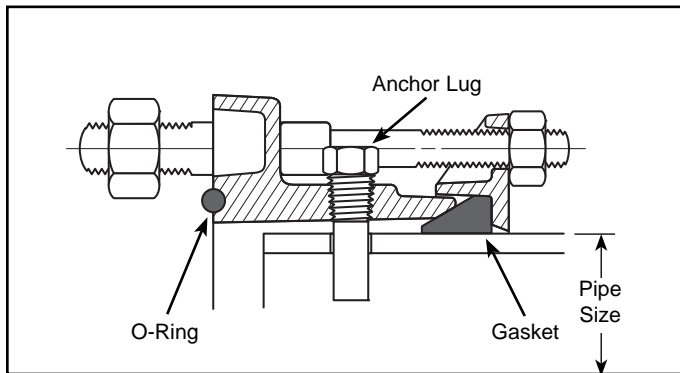


# Installation Instructions For Ford Model FFCA Flanged Coupling Adapter

Refer to the Ford website (<http://www.fordmeterbox.com>) for additional and most recent installation instructions and product information.



1. Measure pipe diameter carefully using a reliable outside diameter tape making sure that the pipe O.D. falls within the range of the flanged coupling adapter.
2. Prepare plain end pipe by cleaning a surface from the end of the pipe to a distance equal to the length of the adapter body plus 3 inches. Check pipe surface to ensure that the gasket bearing surface is free from dents, flat spots or pitted areas that might impair gasket seating.
3. Begin assembly by placing the end ring and gasket onto the pipe end. (Be sure to remove any anchor studs from the adapter body prior to beginning assembly process). The beveled edge of the gasket must face the pipe end.
4. Bolt the flange of the flanged coupling adapter to the companion flange being sure that the flange O-Ring is in place. Flange bolts should be tightened in an alternating pattern to evenly compress gasket. Be sure, when using Cross Bolts, to insert the large end into the flange bolt holes.
5. Before assembling the coupling end of the flanged coupling adapter, be sure that the gasket and gasket seating area inside the adapter body are free of all foreign material. A non-petroleum based lubricate suitable for potable water applied to the gasket and gasket cavity will ensure proper seating around the pipe and into the adapter.
6. Insert the pipe end into the adapter body and bring beveled gasket into place by sliding the end ring up to the adapter body and align the end ring holes with the ends of the Cross Bolts. Be sure to keep the pipe centered in the adapter body.
7. Assemble nuts onto the Cross Bolts and tighten finger tight. Evenly tighten bolts in an alternating pattern being certain that the end ring remains parallel to the flange and perpendicular to the centerline of the pipe. Complete tightening by using a torque wrench set at 60 - 75 ft. lbs. of torque. If the adapter has been constructed without anchor studs proceed to step 11. Flanged coupling adapters without anchor studs do not restrain axial pipe movement.

## The following additional instructions are for units manufactured with anchor studs:

8. Install a standard 1/2" Iron Pipe Thread close nipple into the anchor stud receiver for use as a drill guide.
9. Using a 5/8" drill bit, drill through the drill guide and completely through the pipe wall. After drilling is complete remove the drill guide from the anchor stud receiver. It is critical to maintain a minimum distance of 1" from the pipe end to the edge of the drilled hole.
10. Apply two wraps of Teflon tape or other suitable thread sealant to the anchor stud threads and install the anchor stud into the receiver.
11. Recheck the torque on the bolts after pressurizing the line.