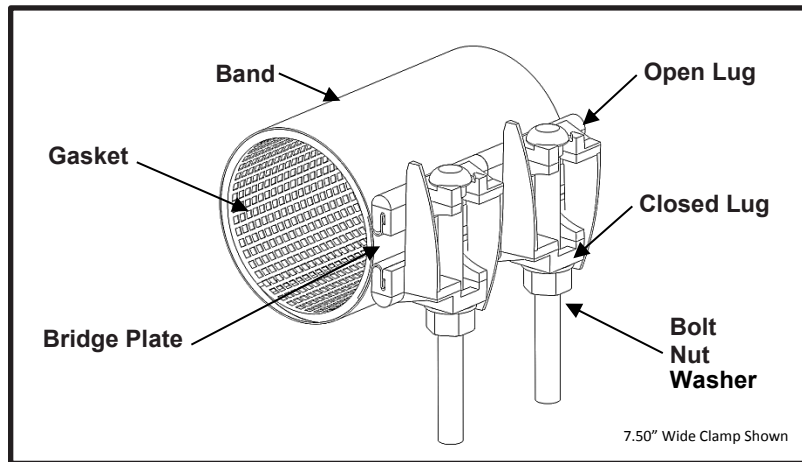


SPECIFICATION

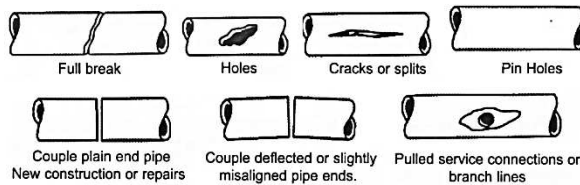
FULL CIRCLE[®] REPAIR CLAMP ALL STAINLESS MODEL 256



APPLICATIONS

Typical Uses

- Repair leaks due to complete breaks, splits, or holes
- Joining pipes of the same diameter
- Examples:



Standard Pipe Sizes

- 2" to 12" nominal

Standard Widths

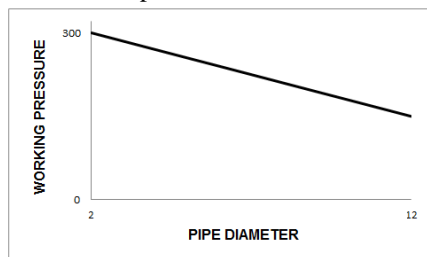
- 7.5", 15.0", 22.5"

Type of Pipe

- Carbon Steel, Stainless Steel, Ductile Iron, PVC, HDPE DR17 or thicker (with use of spring washers), Asbestos Cement, Copper, Aluminum

Working Pressure

- Up to 300 psi depending on type of pipe, type of repair, pipe diameter, service conditions, and installation workmanship





SPECIFICATION

FULL CIRCLE[®] REPAIR CLAMP AII STAINLESS

MODEL 256

MATERIALS

- **Band**
 - Type 304 Stainless Steel per ASTM A240
 - Band Thickness: 24 gauge thick for clamps 4.50" diameter and smaller
20 gauge thick for clamps 4.80" diameter and larger
 - Hemmed ends for lug removal in tight applications
- **Lugs**
 - Cast using Austenitic Stainless Steel GR. CF8 per ASTM A743 (304 equivalent)
 - Slot cast in lug to capture band hem
 - Designed for drop in replaceable bolts
 - One open loop lug and one closed loop lug. The bolts do not have to be removed to install clamp preventing lost hardware
 - Long interlocking fingers allow for up to 0.40 inches of range in clamp
 - Interchangeable lugs allow combining smaller diameter clamps to create larger diameter clamps
 - Mutually supporting sliding fingers assures proper bolt alignment and permits maximum clamping without bending bolts
- **Gasket**
 - Nitrile (Buna-N) per ASTM D2000
 - Gasket Thickness: 0.192" thickness for clamps 4.50" diameter and smaller
0.218" thickness for clamps 4.80" diameter and larger
 - Certified to NSF/ANSI 61-G & 372
 - Compounded to resist water, oil, natural gas, acids, alkalies, most (aliphatic) hydrocarbon fluids, and many other chemicals
 - Temperature range: -20°F to +180°F
 - Full 360° gridded face gasket provides maximum pipe support, reinforcement, and sealing pressure
 - Tapered ends allow for full circumferential sealing
- **Bridge Plate**
 - Type 304 Stainless Steel quarter-hard per ASTM A240
 - Plate thickness: 20 gauge
 - Molded and recessed into gasket
 - Preformed for uniform distribution of gasket pressure over the entire pipe circumference
- **Bolts**
 - Type 304 Stainless Steel GR. 8 per ASTM A193
 - Epoxy coated threads to prevent galling
 - 5/8"-11UNC x 6.88" long, Track Head Oval Neck
 - Rolled threads for improved physical characteristics, greater thread accuracy, and smooth surface finish
 - Drop in replaceable bolts
- **Nuts**
 - Type 304 Stainless Steel GR. 8 per ASTM A194
 - Fluoropolymer coated to prevent galling
 - 5/8"-11UNC, Heavy Hex Semi-Finished
- **Washer**
 - Type 304 Stainless Steel per ASTM A240
 - 5/8" Type A Plain



SPECIFICATION

FULL CIRCLE[®] REPAIR CLAMP ALL STAINLESS

MODEL 256

LISTINGS

- Certified to NSF/ANSI 61-G & 372
- Meets applicable AWWA C230 standards

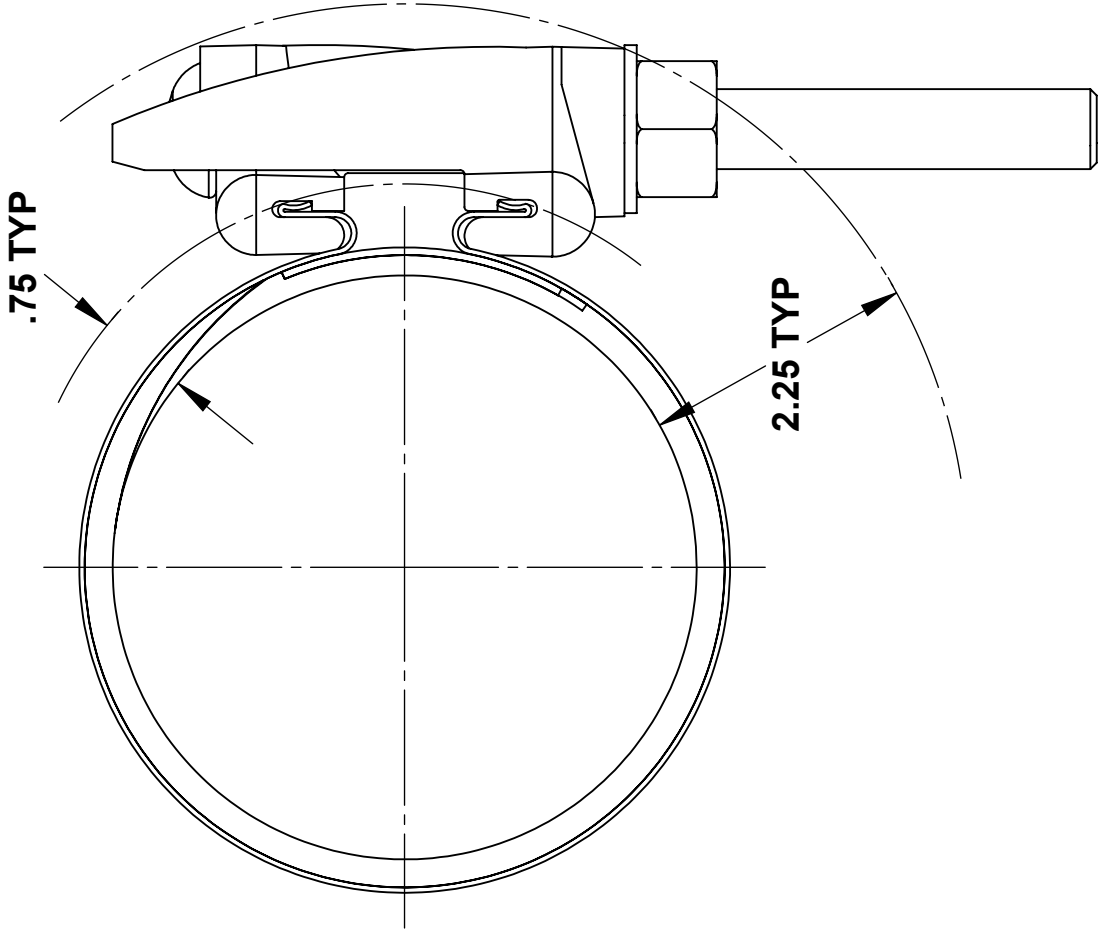
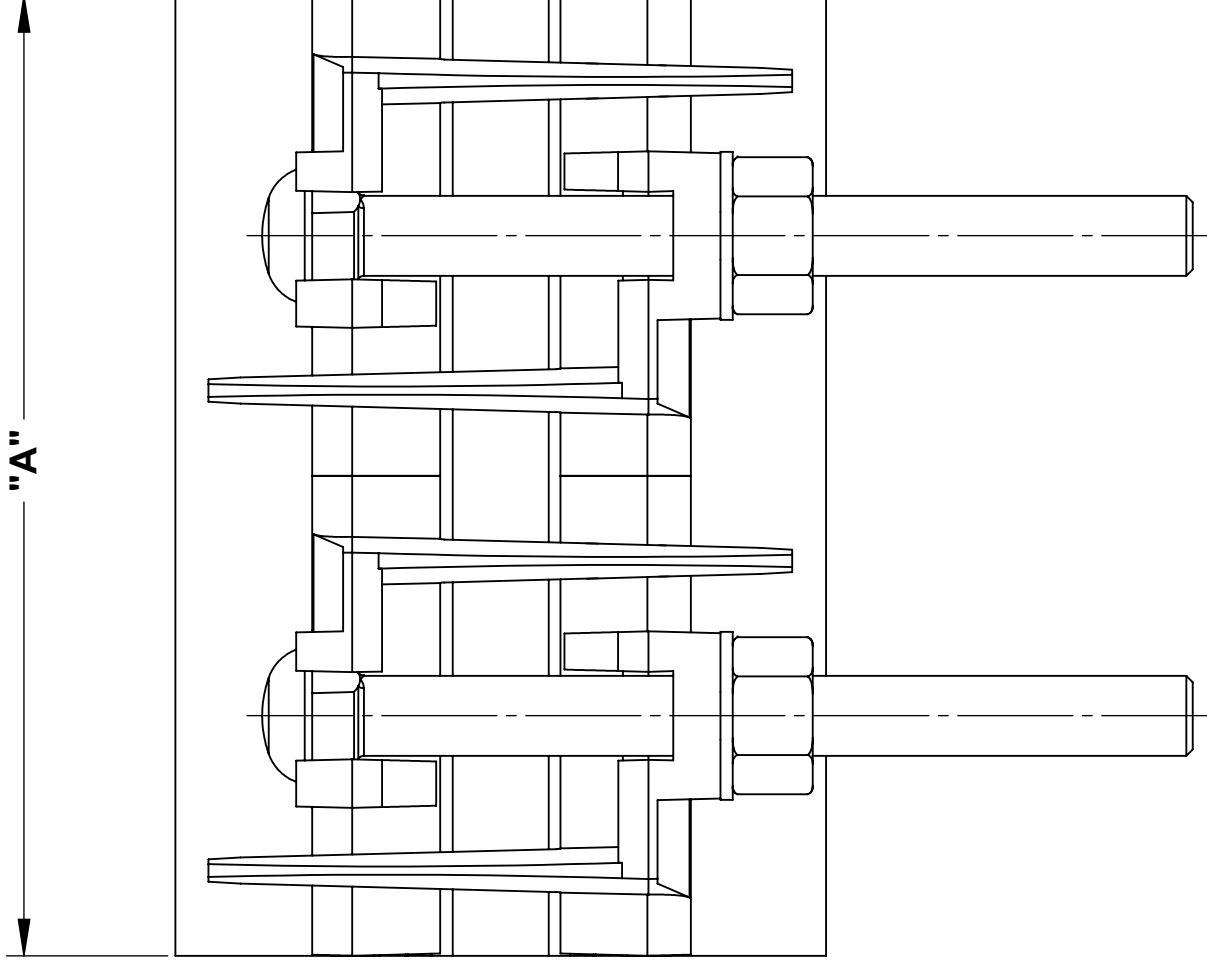
OPTIONS

- Type 316 Stainless Steel band
- Type 316 Stainless Steel hardware with fluoropolymer coated nuts to prevent galling
- Alternative gasket material (e.g. Viton, EPDM, etc.)
- Spring washers for use of clamp on HDPE pipe
- Offset gaskets to allow for repairing longer cracks using multiple clamps
- Conductivity feature
- Clamps up to 30" wide

NOTES

- This product **does not** restrain the pipe from pulling out of the fitting
- Spring washers **are required** when this product is used on DR17 or thicker HDPE pipe (Not recommended for use on HDPE pipe DR 17 or thinner)
- Pipe stiffeners **are required** when this product is used to join HDPE and thin wall PVC pipe
- Full Circle[®] is a registered trademark of Smith-Blair Inc.
- These product specifications were correct at the time of publication and are subject to change without notice
- See the Smith-Blair[®] web site for part numbers and ordering information
- See the Smith-Blair[®] web site for warranty information
- See the Smith-Blair[®] web site for corrosion warnings

30 Globe Ave, Texarkana, AR 71854
Ph: 870-773-5127 • Fax: 870-773-5212
Toll-Free Numbers: Ph: 800-643-9705 • Fax: 800-648-6792



CERTIFIED TO NSF/ANSI 61-G & 372

TOLERANCES U.N.O. XX= ±.03 XXX= ±.015 FRACTIONS= 1/16 ANGLES= 1° MACH. FIN=	NOTES: REMOVE BURRS AND SHARP EDGES DO NOT SCALE DWG.	APP'D	DATE
	SCALE: N/A	CK'D	DATE
	ALL DIMENSIONS ARE IN INCHES.	DRN	DATE

TITLE
SPECIFICATION
FULL CIRCLE® REPAIR CLAMP ALL STAINLESS
MODEL 256

SMITH-BLAIR, Inc. TEXARKANA, ARKANSAS	P/N	N/A
	DWG. NO.	SPEC_256.DRW

1	OF	1
		SHEET

2/19/16
REV.

- NOTES:**
- SEE SMITH-BLAIR CATALOG FOR AVAILABLE PIPE DIAMETER AND WIDTH COMBINATIONS AS SOME COMBINATIONS ARE NOT AVAILABLE
 - 7.50" WIDE CLAMP SHOWN OTHER SIZES SIMILAR

A	HARDWARE		SOCKET SIZE
	QUANTITY	SIZE	
7.50	2	5/8" x 6.88"	1-1/16"
15.00	4	5/8" x 6.88"	1-1/16"
22.50	6	5/8" x 6.88"	1-1/16"